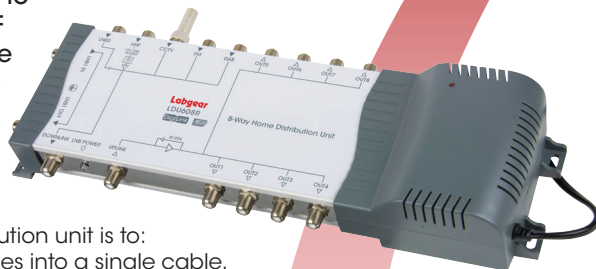


This signal distribution unit allows up to 6 inputs combined and UHF plus VHF signals to be fed to 8 outputs with the facility to add an extra signal source and control it from other rooms.



## Function

The purpose of the LDU608R Home distribution unit is to:

- Combine a wide range of signal sources into a single cable.
- Allow you to add additional channels from another source.
- Distribute all of the TV signals to up to 8 more points in your home.
- Allow you to control the source of the additional channels from other rooms connected to the unit.

## Features

To do this the LDU608R has:

- 5 signals combined to feed the Downlink - LNB2 / UHF TV / CCTV / FM / DAB.
- A second through-line for satellite - LNB 1.
- A Downlink / Uplink facility to which additional channels can be added.
- 8 Outputs each with 9V/15mA (short circuit protected) to power a DigiLink Eye.
- A reverse bypass circuit from the Outputs to the Uplink to allow the pulse to pass back to the additional signal source or an OmniLink device to change channel

## Preparation

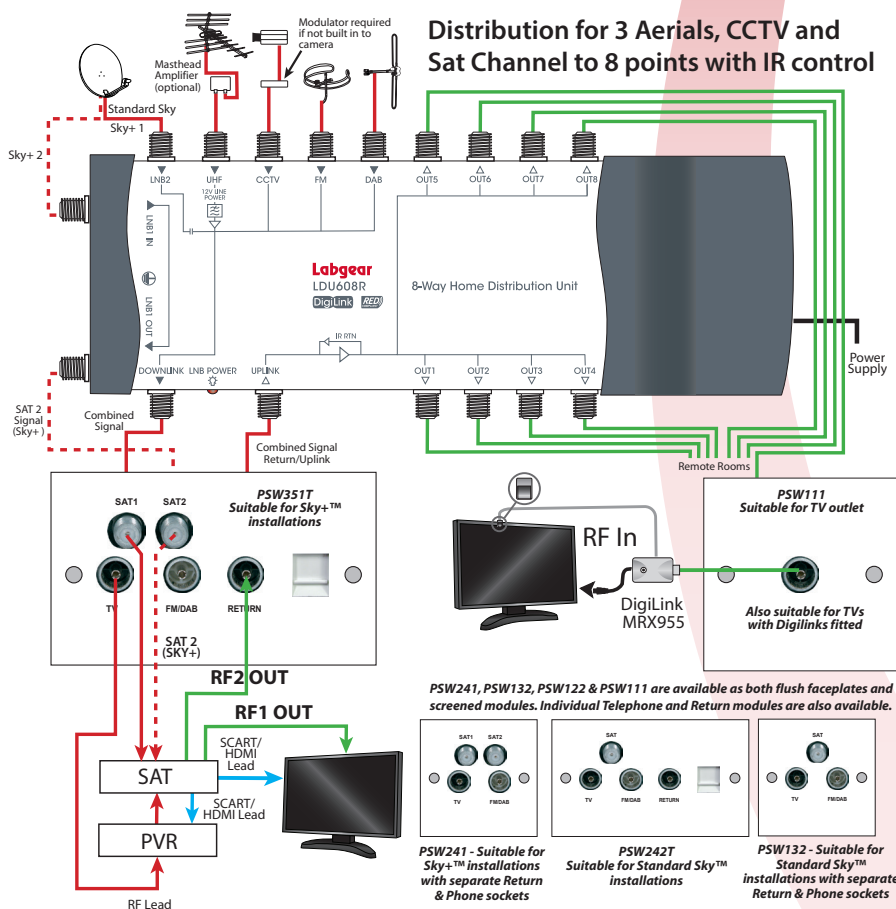
Find a suitable location for the LDU to which all of the aerial and satellite cables can be routed and from which you can feed cables to the additional points. It must be a temperate (-10 ~ +40°C), dry, well ventilated space with access to a mains power socket.

- If you plan to include satellite signals in the system you will need to separate the signals from the Downlink and feed the satellite receiver separately via a suitable wallplate, e.g. Labgear PSW132 .
- If the satellite receiver has a PVR built-in, requiring a second satellite input you will need to run a second cable down from the LDU to the main room and have a wallplate with 2-inputs e.g. Labgear PSW241 .
- If you have added additional channels in master room you will need to run a cable back to the LDU Uplink and either have a second wallplate or a combined one e.g. PSW351
- Note: For better signal transfer and improved mechanical security F-connectors are used on the LDU608R. You will need up to 17 connectors for the unit plus you may need others elsewhere in the system.
- You may be adding analogue signals into your TV system. If some of your TV's are digital only this can be remedied by converting the HDMI output of the source into digital (DVB-T) signals using a Labgear Encoder Modulator EM1000. This has the additional benefit of allowing HD signals to be added.
- The UHF TV input is fitted with a filter to mitigate interference from 4G/LTE800 mobile phone masts and the unit complies with the Radio Equipment Directive 2014/53/EU.

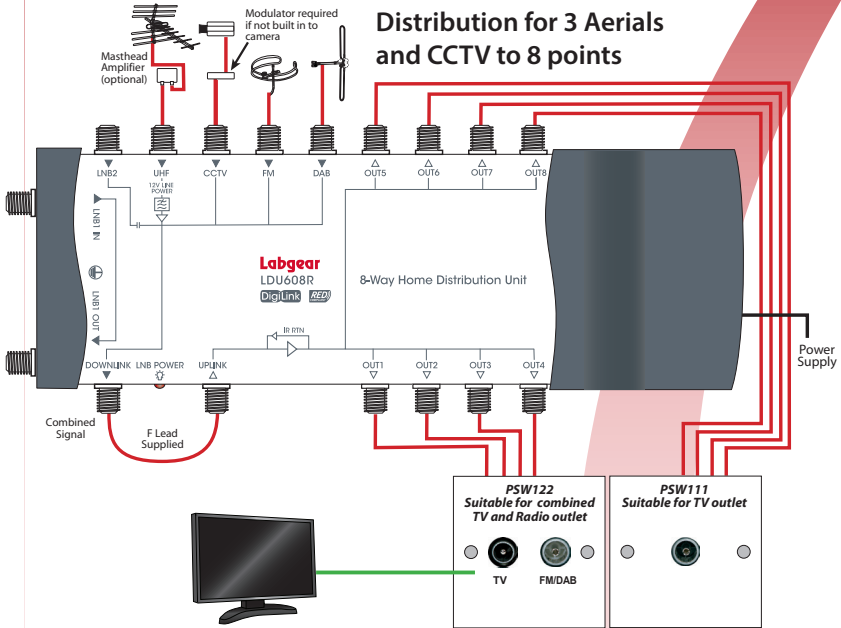
Important note: Please read the General Safety Precautions before you start installing.

### Installation

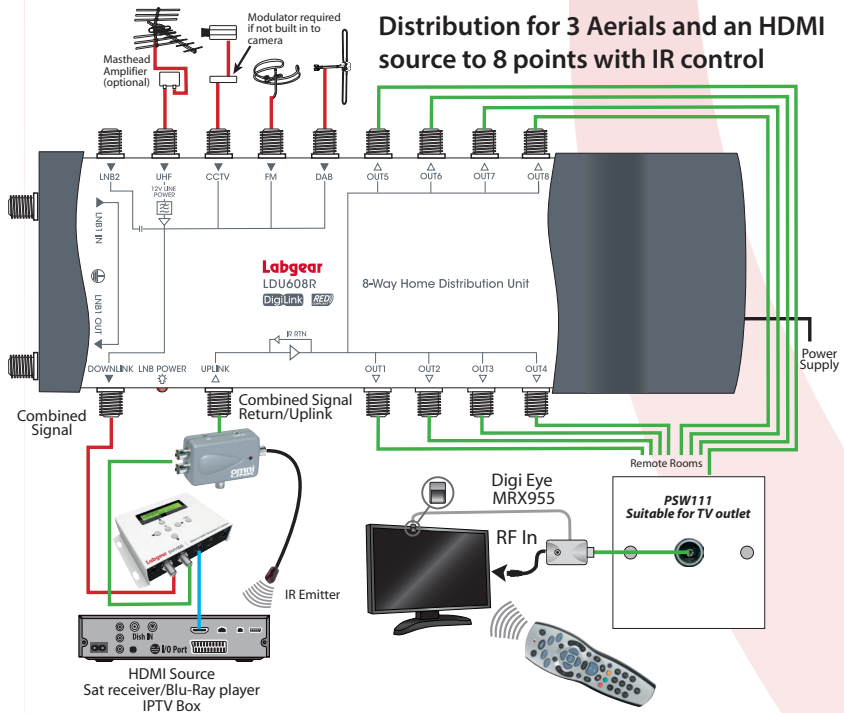
- The LDU should be fixed to a wall or other suitable stable surface and should not be left on a carpet or allowed to be supported by its own wiring. (Screws, wall plugs etc. not supplied).
- CCTV signals will need to be modulated onto a suitable channel to prevent interference with local transmissions or from 4G mobile. If the CCTV signal is analogue you will need an analogue tuner in your TV set.
- If you are not including satellite or additional channels simply connect the Downlink to the Uplink using the short flylead supplied to deliver all of the signals from your aerials to all 8 outlets.
- Follow the diagram to make the correct cable connections using f-connectors (not supplied).
- When all connections are made plug into a mains socket and switch the power on.



### Distribution for 3 Aerials and CCTV to 8 points



### Distribution for 3 Aerials and an HDMI source to 8 points with IR control



Downlink		
	Frequency range	Gain
SAT 1	950-2300MHz	-2dB
SAT 2	950-2300MHz	-3dB
FM	88-108MHz	-2dB
DAB	217-230MHz	-5dB
CCTV	470-860MHz	-6dB
UHF TV	170-782MHz	10dB
UHF Noise figure:	2.5dB typical	
4G protection Class 3:	-45dB typical	
Masthead Line Power:	12V/40mA	
LNB Line Power:	20V/400mA	
Uplink		
Freq. Range	88-790MHz	
Gain UPLINK to OUT:	10dB UHF	
Noise figure:	2.3dB typical	
IR Bypass frequency:	5-10MHz	
IR Bypass Reverse Gain:	0dB	
All ports IR enabled:	9V/15mA	
General		
Power requirements:	220-240V~50/60Hz <5W	

## 2 -Year Guarantee

Your amplifier is guaranteed against faulty components or poor workmanship for a period of two years from the date of purchase. This guarantee does not cover accidental or malicious damage (Including damage from natural causes such as lightning) and will be invalidated by installation or use other than in accordance with these instructions, repair or attempted repair other than by the manufacturer, or opening or removal of the case. This does not affect your statutory rights.

Labgear Reserve the right to modify their designs or specifications, in the light of future developments, without prior notice. Performance figures quoted are typical and subject to normal manufacturing and service tolerances.

## General Safety Precautions

Ensure that there is adequate space around the unit to ensure cables are not kinked when connecting (minimum 120mm radius recommended) and that above and on the free sides of the amp there is at least 25mm for ventilation. Do not cover. This appliance is not waterproof do not expose to dripping or splashing water. Objects containing liquids should not be placed on or near the unit.

## Declaration of Conformity

Hereby, Labgear declares that this launch amplifier is in compliance with the Radio Equipment Directive 2014/53/EU.

The full Declaration of Conformity is available by contacting the following internet address: [www.labgear.co.uk/DoC](http://www.labgear.co.uk/DoC)



Standard: EN303 354  
 Product Type: D Signal Amplifier  
 Filter Class: 3 Mitigates 4G interference on UHF TV input  
 Suitable for digital TV signal distribution Ch21-59 in the UK and EU

## Technical Support

For further help, advice or information visit  
 Our website [www.labgear.co.uk](http://www.labgear.co.uk)  
 Technical team [www.labgear.co.uk/technical](http://www.labgear.co.uk/technical)  
 Email: [technical@labgear.co.uk](mailto:technical@labgear.co.uk)



Bedford MK42 0NX  
[www.labgear.co.uk](http://www.labgear.co.uk)

Member



Trade Association for Content Delivery

No. M. 1125



Waste electrical and electronic products should not be disposed of with household waste. Please recycle where facilities exist. Check with your Local Authority for recycling advice.

