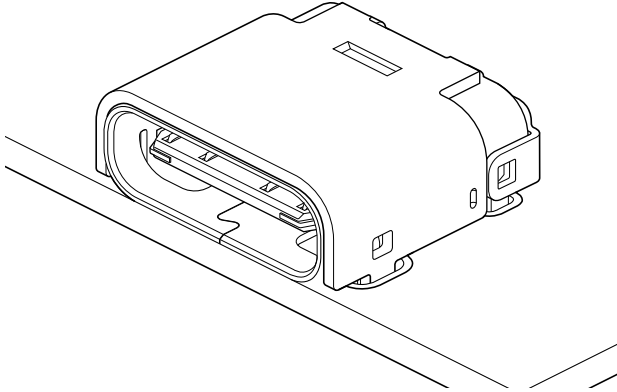




UBC CONNECTOR

USB (Universal Serial Bus) Conforming Connector



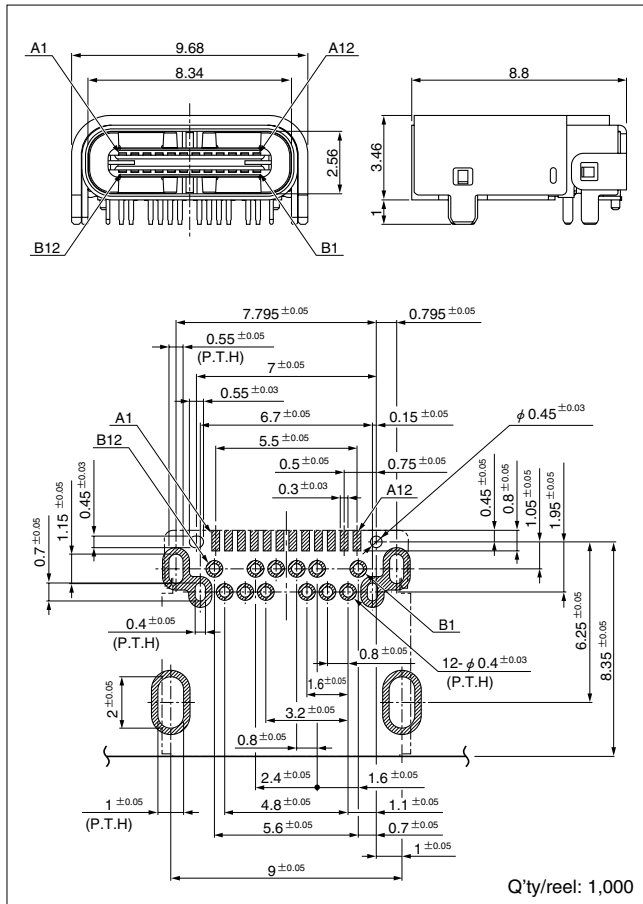
This connector is an interface connector conforming to USB (Universal Serial bus) Type-C. High-speed transmission of up to 10 Gbps and power supply of up to 100 W are available. It has a reversible construction, so that insertion and extraction without having to worry about the orientation (both sides) of the plug is possible.

- 10,000 cycles of insertion and extraction is provided as durability.
- Double structure shell provides strong mechanical structure (Single structure shell is also available.)
- Contact lead is a hybrid type of DIP/SMT.
- Halogen-free

Specifications

- Current rating: 1.25 A AC, DC/ Pin Vbus (A4, A9, B4, B9)
GND (A1, A12, B1, B12)
CC1 (A5), CC2 (B5)
: 0.25 A AC, DC/ Pin Other circuits
- Voltage rating: 20 V AC, DC
- Temperature rang: -25°C to +85°C
(including temperature rise in applying electrical current)
- Contact resistance: Initial value/ 40 mΩ max.
After environmental tests/ 10 mΩ max.
(variation from initial value)
- Insulation resistance: 100 MΩ min.
- Withstanding voltage: 100 VAC/minute
- * Refer to "General Instruction and Notice when using Terminals and Connectors" at the end of this catalog.
- * Contact JST for details.
- * Compliant with RoHS.

Receptacle



Q'ty/reel: 1,000

Model No.	Material and Finish	
UBC-R112-56C-7ATS(HF)	Contact A	Copper alloy, nickel-undercoated, selective nickel-palladium alloy-plated selective gold-plated
	Contact B	Copper alloy, nickel-undercoated, selective nickel-palladium alloy-plated selective gold-plated
	Housing	Heat resisting resin, UL94V-0, black
	EMC pad	Stainless steel
	Mid plate	Stainless steel, nickel-undercoated, tin-plated
Shell	Stainless steel, nickel-undercoated, tin-plated	
Cover shell	Stainless steel, nickel-undercoated, tin-plated	

RoHS compliance