

CGA2B1X7R1V224K050BE

TDK Item Description : CGA2B1X7R1V224KT***S



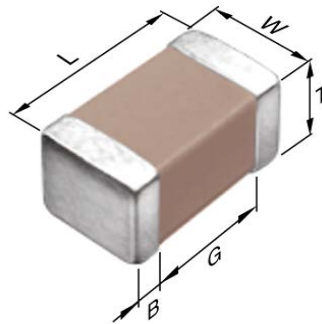
Equivalent C1005X7R1V224K for Automotive

Application & Main Feature

Automotive Grade (Soft Termination)

Series

CGA2(1005) [EIA CC0402]



Dimensions

| | |
|---|----------------------|
| L | 1.00mm +0.15,-0.05mm |
| W | 0.50mm +0.1,-0.05mm |
| T | 0.50mm +0.1,-0.05mm |
| B | 0.10mm Min. |
| G | 0.30mm Min. |

Temperature Characteristic

X7R (-55 to 125 degC +/-15%)

Rated Voltage

1V (35Vdc)

Capacitance

220nF

Capacitance Tolerance

K (+/-10%)

Dissipation Factor

5% Max.

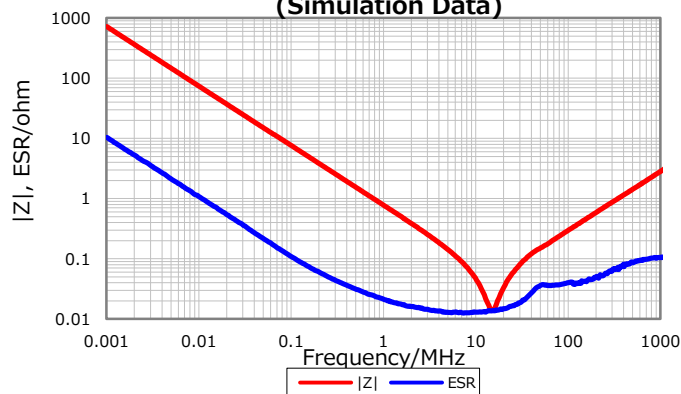
Insulation Resistance

2.272Gohm Min

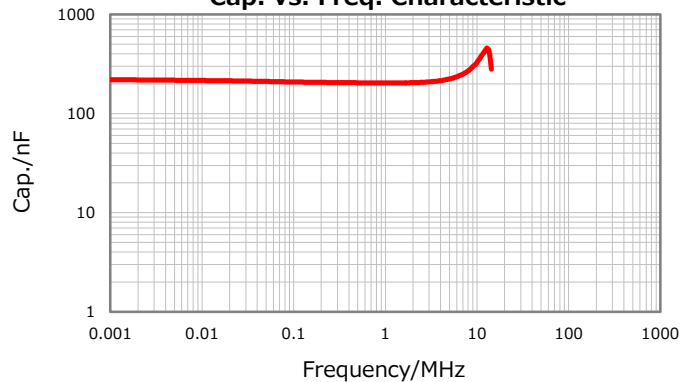
AEC-Q200

Yes

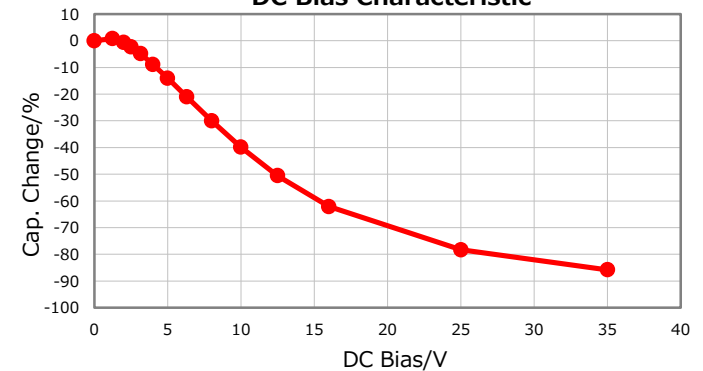
|Z|, ESR vs. Freq. Characteristics (Simulation Data)



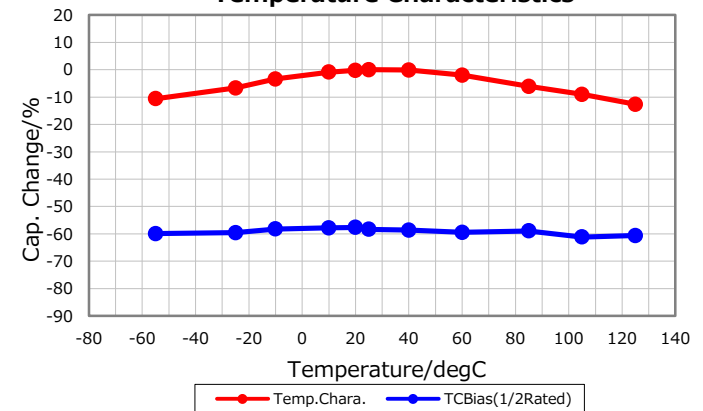
Cap. vs. Freq. Characteristic



DC Bias Characteristic



Temperature Characteristics



Ripple Temperature Rise Characteristics

