

# CGA3E1X7S1C225K080AE

TDK Item Description : CGA3E1X7S1C225KT\*\*\*S



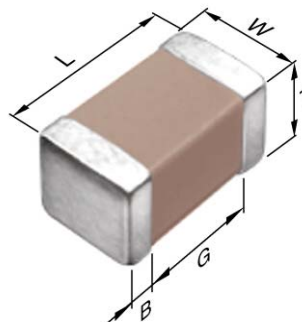
Equivalent C1608X7S1C225K for Automotive

## Application & Main Feature

Automotive Grade ( Soft Termination )

## Series

CGA3(1608) [EIA CC0603]



## Dimensions

L	1.60mm +0.2,-0.1mm
W	0.80mm +0.15,-0.1mm
T	0.80mm +0.15,-0.1mm
B	0.20mm Min.
G	0.30mm Min.

## Temperature Characteristic

X7S (-55 to +125 degC +/-22%)

## Rated Voltage

1C (16Vdc)

## Capacitance

2.2uF

## Capacitance Tolerance

K (+/-10%)

## Dissipation Factor

7.5% Max.

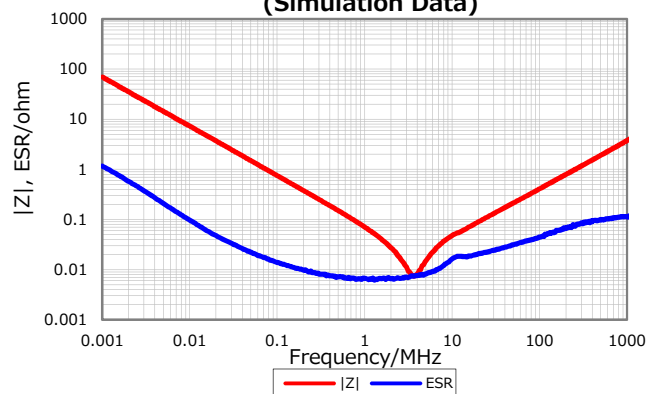
## Insulation Resistance

45Mohm Min.

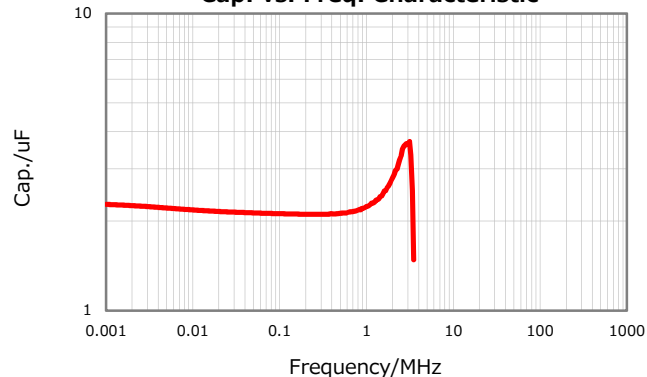
## AEC-Q200

Yes

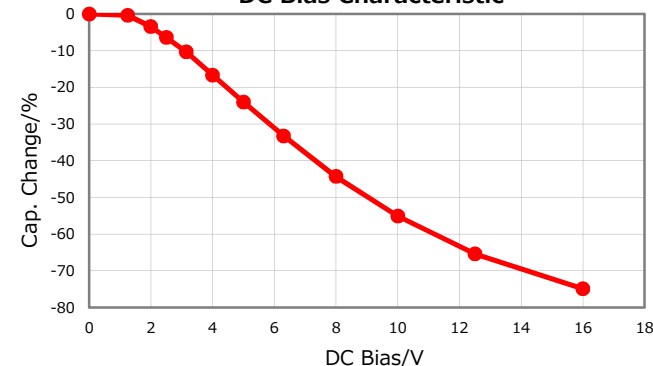
**|Z|, ESR vs. Freq. Characteristics (Simulation Data)**



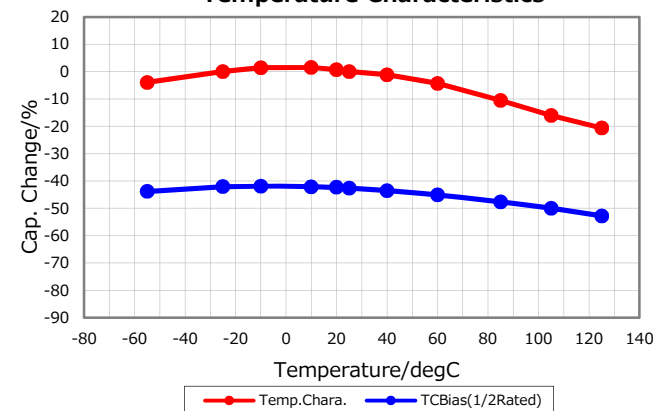
**Cap. vs. Freq. Characteristic**



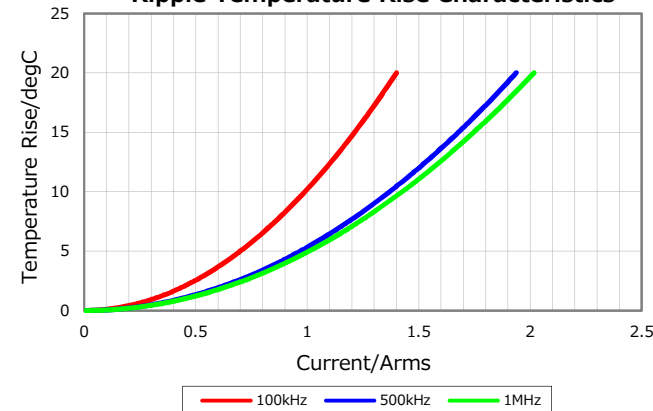
**DC Bias Characteristic**



**Temperature Characteristics**



**Ripple Temperature Rise Characteristics**



Characterization Sheet (Multilayer Ceramic Chip Capacitors)



All specifications are subject to change without notice.