



002

PCB TERMINAL
BLOCKS

10mm pitch low profile rising clamp terminal blocks

081

TERMINAL STRIPS

095

WIRE TO BOARD
CONNECTORS

100

CIRCULAR
CONNECTORS


151

IP68 CONNECTORS

158

INTERFACE
MODULES AND
RELAY BASES

Product overview

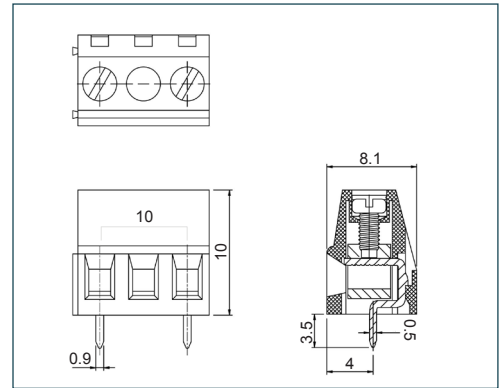
- 2 and 3 pole double interlocking mechanism for increased strength
- Professional rising clamp terminals
- Low profile
- Moulded in green UL94-V0 flame retardant PA66
- Cable acceptance - 0.4-1.3mm² (26-16 AWG)
- Guided pin alignment
-  approved

CTB0602



SPECIFICATION	
Rating	10A/300V
Dielectric strength	≥2kV
Insulation resistance	5000M Ω/1000V
Working temperature	-33°C to +120°C
Moulding	UL94-V0 flame retardant PA66
Pin/terminal	Tin plated brass
Wire clamp	Nickel plated brass
Screw/torque	M2.5 steel Ni plated
Recommended PCB hole size	ø1.4mm

PART NO.	POLES	LENGTH
CTB0602/2	2	15.2mm
CTB0602/3	3	25mm
CTB0602/4	4	35mm
CTB0602/5	5	45mm
CTB0602/6	6	55mm
CTB0602/7	7	65mm
CTB0602/8	8	75mm
CTB0602/9	9	85mm
CTB0602/10	10	95mm
CTB0602/11	11	105mm
CTB0602/12	12	115mm



KEY FEATURES

Low profile | Double interlock mechanism | Professional rising clamp

