

# Straight SMA Plug to TNC Plug Adapter



**RoHS  
Compliant**

## Specifications

### Electrical

Frequency Range : DC-11 GHz  
 Nominal Impedance : 50Ω  
 Voltage Rating : 500 Volts Max.

### Material

Bodies : Brass per JIS-C3604  
 Centre Contact : Brass per JIS-C3604  
 Insulation : PTFE per ASTM D1457 and ASTM D1710

### Environmental

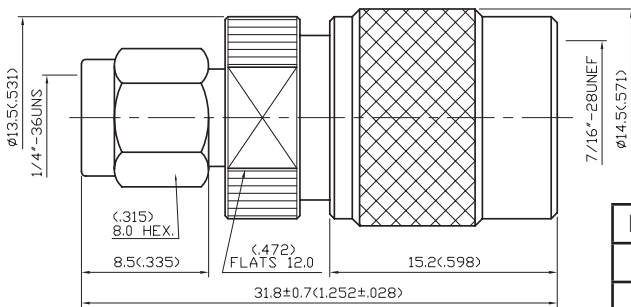
Operating Temperature : -20°C to +80°C

### Mechanical

Interface in accordance with : MIL-STD-348A  
 SMA end Recommended Coupling Torque : 3 to 5 in-lbs



## Diagram



Dimensions : Millimetres (Inches)

No.	Description	Material	Qty.	Finish
1	Shell I	Brass	1	Nickel 100μ" Min.
2	Gasket	Silicone		Red
3	Washer	Stainless Steel		None
4	Body I	Brass		Nickel 100μ" Min.
5	Insulation	PTFE		None
6	Centre Contact	Brass		Gold
7	Body II			Nickel 100μ" Min.
8	Washer			None
9	Gasket	Rubber		Red
10	Shell II	Brass		Nickel 100μ" Min.

## Part Number Table

Description	Part Number
Straight SMA Plug to TNC Plug Adapter, 50Ω	19-30-1 TGN

**Important Notice :** This data sheet and its contents (the "Information") belong to the members of the AVNET group of companies (the "Group") or are licensed to it. No licence is granted for the use of it other than for information purposes in connection with the products to which it relates. No licence of any intellectual property rights is granted. The Information is subject to change without notice and replaces all data sheets previously supplied. The Information supplied is believed to be accurate but the Group assumes no responsibility for its accuracy or completeness, any error in or omission from it or for any use made of it. Users of this data sheet should check for themselves the Information and the suitability of the products for their purpose and not make any assumptions based on information included or omitted. Liability for loss or damage resulting from any reliance on the Information or use of it (including liability resulting from negligence or where the Group was aware of the possibility of such loss or damage arising) is excluded. This will not operate to limit or restrict the Group's liability for death or personal injury resulting from its negligence. Multicomp is the registered trademark of Premier Farnell Limited 2019.

Newark.com/exclusive-brands  
 Farnell.com/exclusive-brands  
 Element14.com/exclusive-brands

