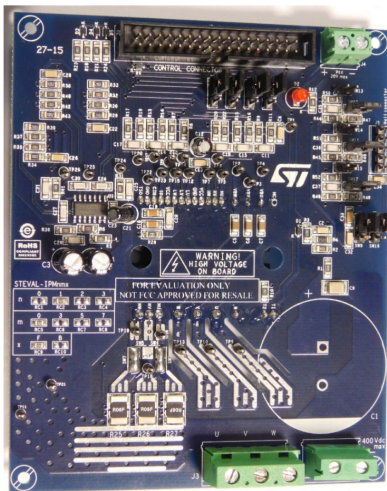


# 1000 W motor control power board based on STGIF10CH60TS-L SLLIMM™ 2nd series IPM



## Features

- Input voltage: 125 - 400 V<sub>DC</sub>
- Nominal power: up to 1000 W
- Nominal power: up to 6 A
- Input auxiliary voltage: up to 20 V DC
- Single- or three- shunt resistors for current sensing (with sensing network)
- Two options for current sensing: dedicated op-amps or through MCU
- Overcurrent hardware protection
- IPM temperature monitoring and protection
- Hall sensor or encoder input
- Uses the STGIF10CH60TS-L IGBT intelligent power module from the 2<sup>nd</sup> series of SLLIMM™ IPMs
- Motor control connector (32-pin) to interface with ST MCU boards
- Universal conception for further evaluation with breadboard and testing pins
- Very compact size
- RoHS compliant

## Description

The **STEVAL-IPM10F** is a compact motor drive power board based on the SLLIMM™ (small low-loss intelligent molded module) 2<sup>nd</sup> series module **STGIF10CH60TS-L**. It provides an affordable and easy-to-use solution for driving high power motors for a wide range of applications such as white goods, air conditioners, compressors, power fans, high-end power tools, and generally 3-phase inverters for motor drives. The IPM itself consists of short-circuit rugged IGBTs and a wide range of features such as undervoltage lockout, smart shutdown, temperature sensing and NTC inside, and overcurrent protection.

The main characteristics of this evaluation board are its small size, minimal BOM and high efficiency. It consists of an interface circuit (BUS and V<sub>CC</sub> connectors), bootstrap capacitors, snubber capacitor, hardware short-circuit protection, fault event signal, and temperature monitoring. In order to increase its flexibility, it was designed to work in single or three shunt-configuration and with double current sensing options such as three dedicated op-amps on-board, or op-amps embedded on the MCU. A Hall/Encoder part completes the circuit. Thanks to these advanced characteristics, the system has been specifically designed to achieve accurate and fast conditioning of the current feedback, matching the typical requirements for field-oriented control (FOC). The STEVAL-IPM10F is compatible with ST's STM32-based control board, providing a complete platform for motor control.

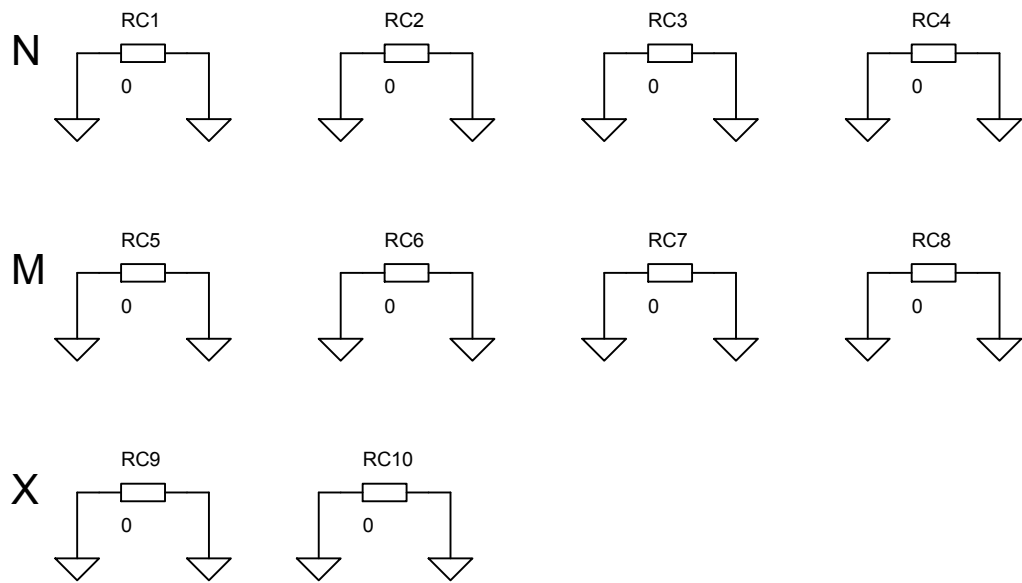
### Product summary

STEVAL-IPM10F compact motor drive power board	STEVAL-IPM10F
STGIF10CH60TS-L SLLIMM™ 2nd series IPM	STGIF10CH60TS- L

# 1 Schematic diagram

Figure 1. STEVAL-IPM10F circuit schematic (1 of 6)

## STEVAL-IPMnmx decoder



**Figure 2. STEVAL-IPM10F circuit schematic (2 of 6)**

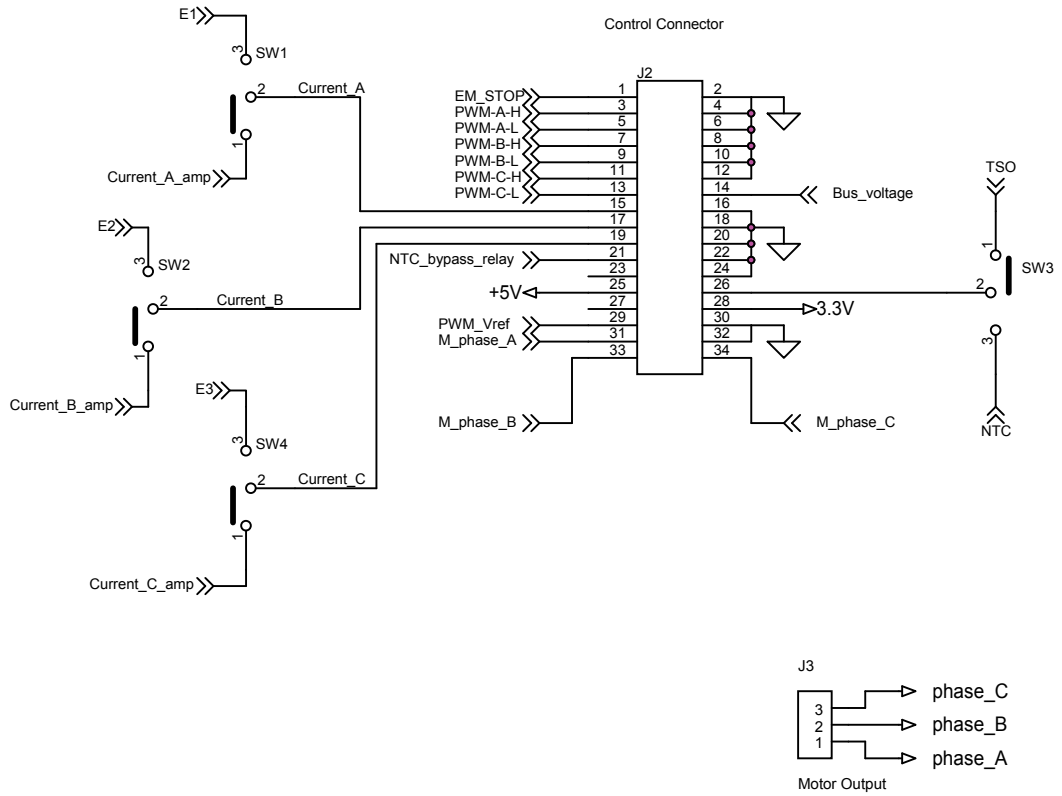
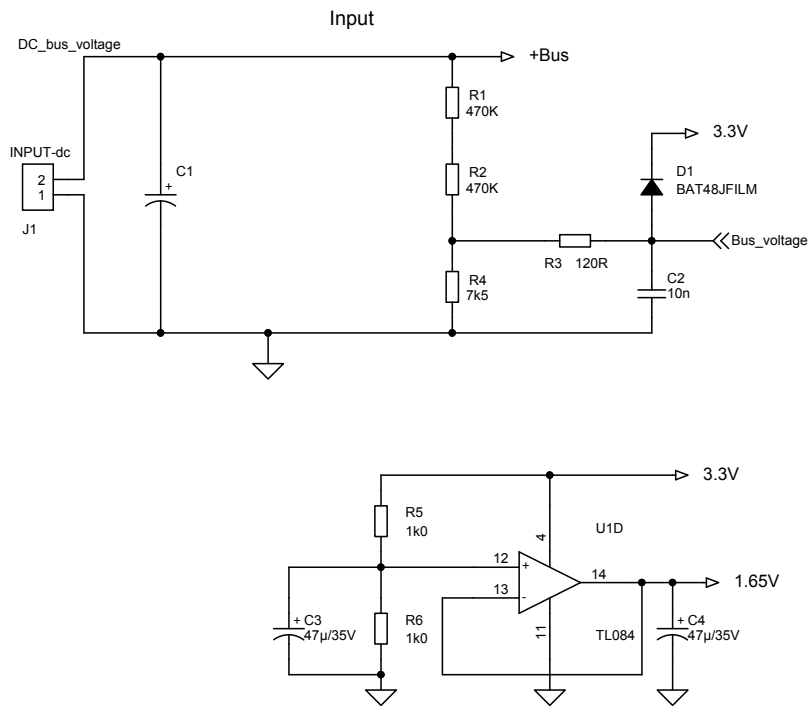


Figure 3. STEVAL-IPM10F circuit schematic (3 of 6)



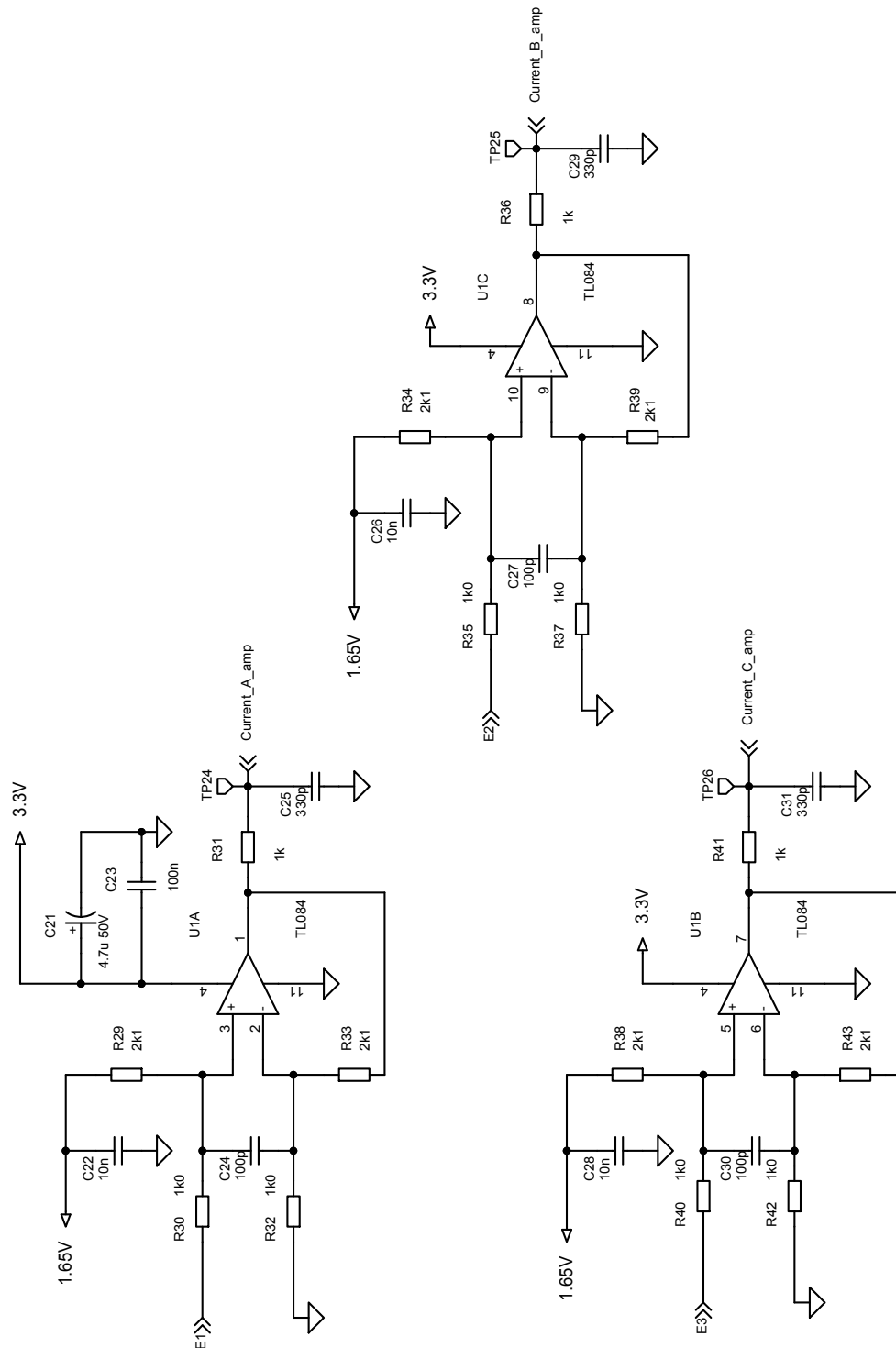
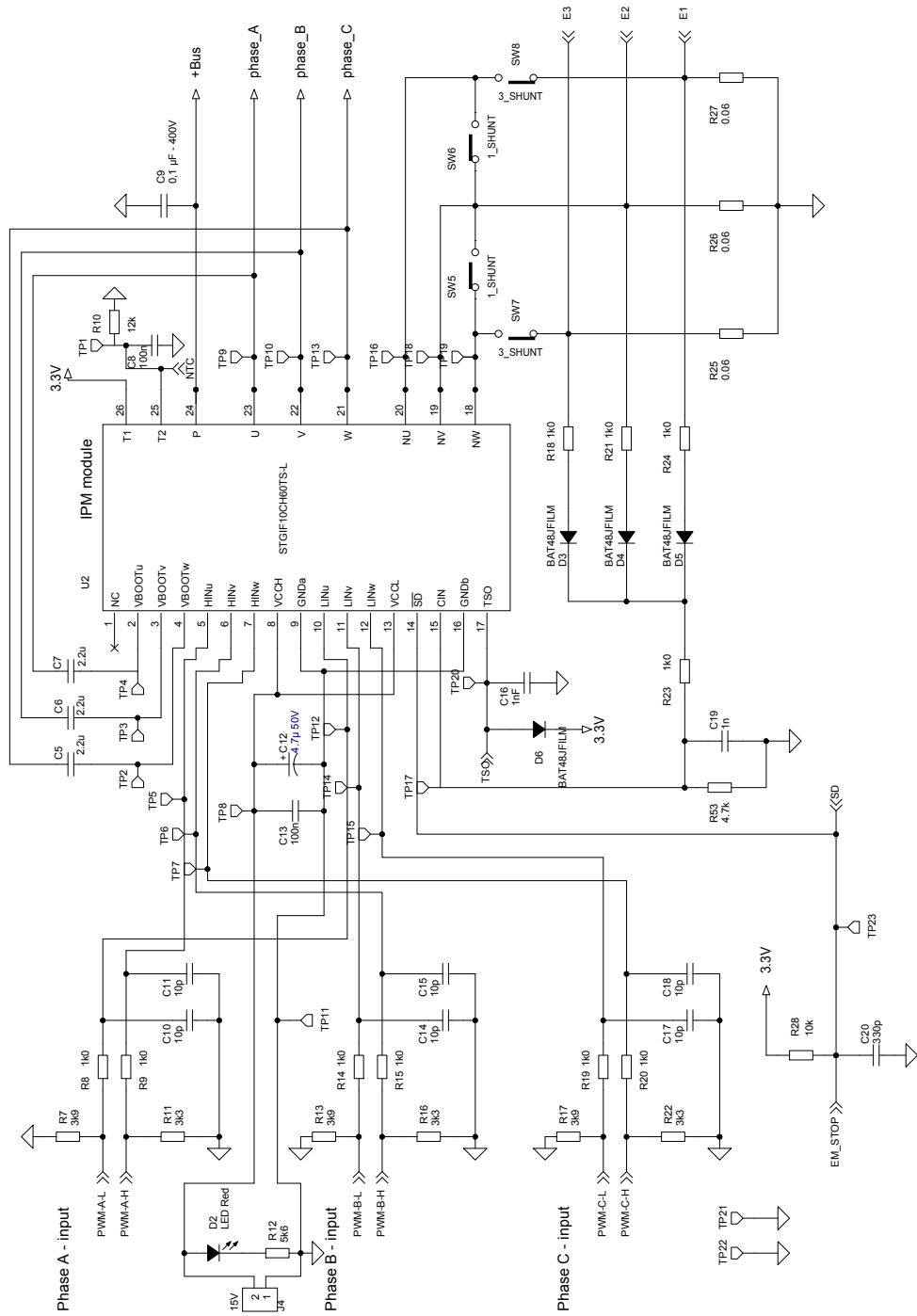
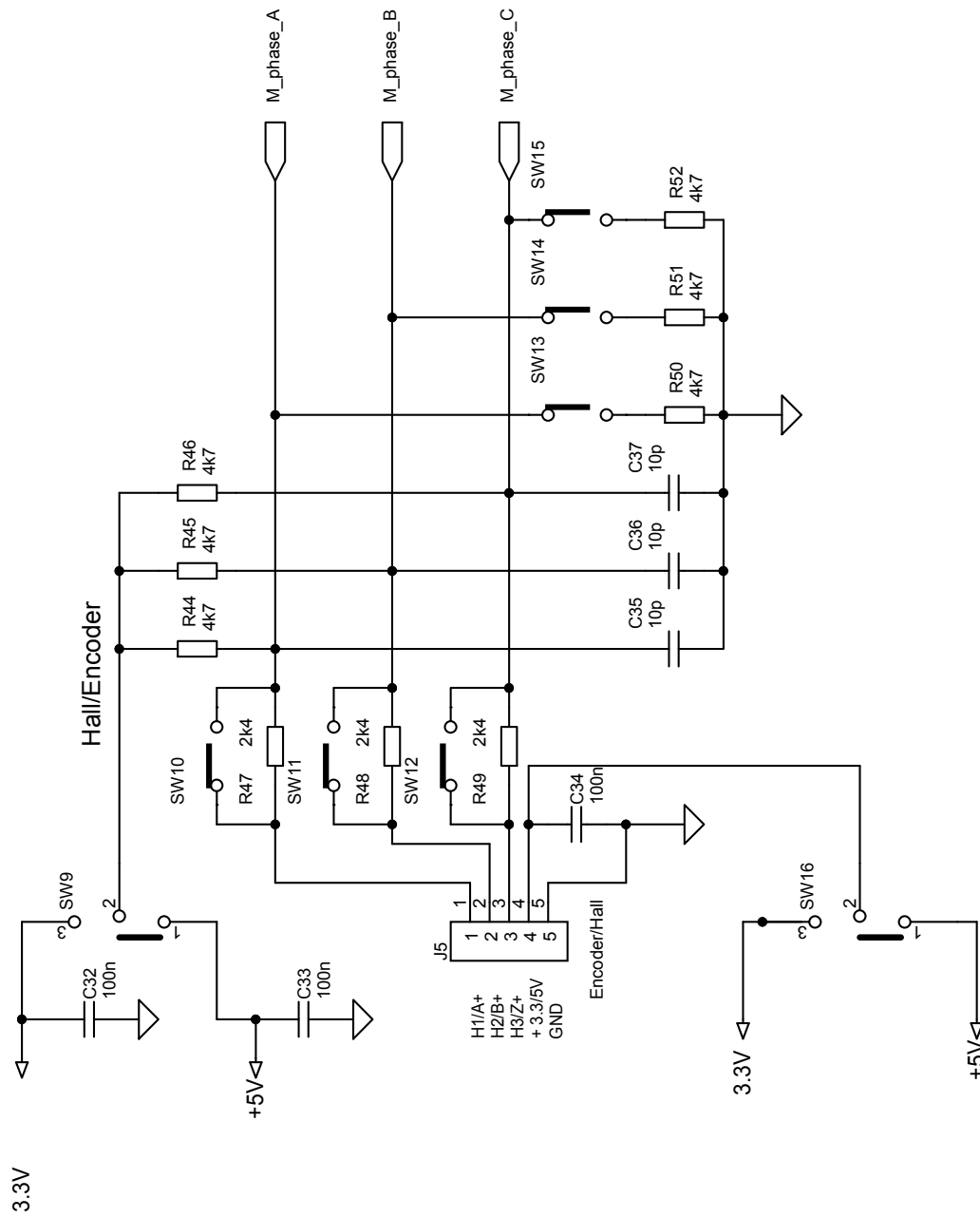
**Figure 4. STEVAL-IPM10F circuit schematic (4 of 6)**


Figure 5. STEVAL-IPM10F circuit schematic (5 of 6)



**Figure 6. STEVAL-IPM10F circuit schematic (6 of 6)**


## Revision history

**Table 1. Document revision history**

Date	Version	Changes
12-Nov-2015	1	Initial release.
24-Feb-2016	2	Updated: figure 1 and figure 3.
06-Apr-2018	3	Update title, features and <a href="#">Figure 5. STEVAL-IPM10F circuit schematic (5 of 6)</a>



**IMPORTANT NOTICE – PLEASE READ CAREFULLY**

STMicroelectronics NV and its subsidiaries (“ST”) reserve the right to make changes, corrections, enhancements, modifications, and improvements to ST products and/or to this document at any time without notice. Purchasers should obtain the latest relevant information on ST products before placing orders. ST products are sold pursuant to ST’s terms and conditions of sale in place at the time of order acknowledgement.

Purchasers are solely responsible for the choice, selection, and use of ST products and ST assumes no liability for application assistance or the design of Purchasers’ products.

No license, express or implied, to any intellectual property right is granted by ST herein.

Resale of ST products with provisions different from the information set forth herein shall void any warranty granted by ST for such product.

ST and the ST logo are trademarks of ST. All other product or service names are the property of their respective owners.

Information in this document supersedes and replaces information previously supplied in any prior versions of this document.

© 2018 STMicroelectronics – All rights reserved