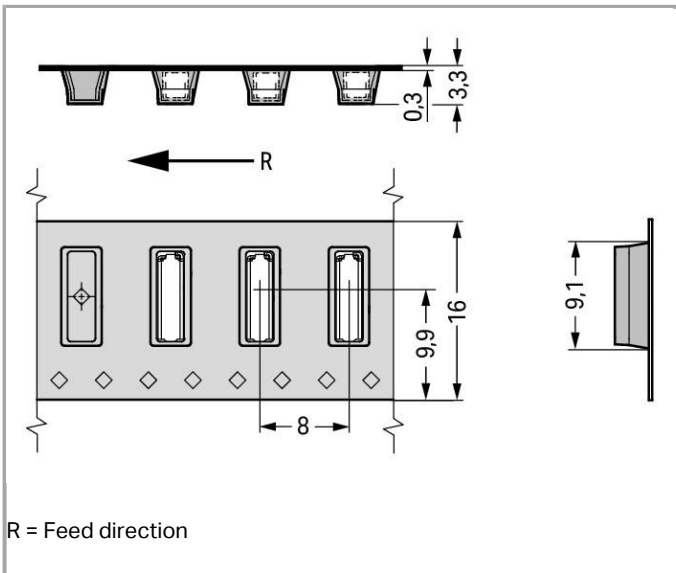
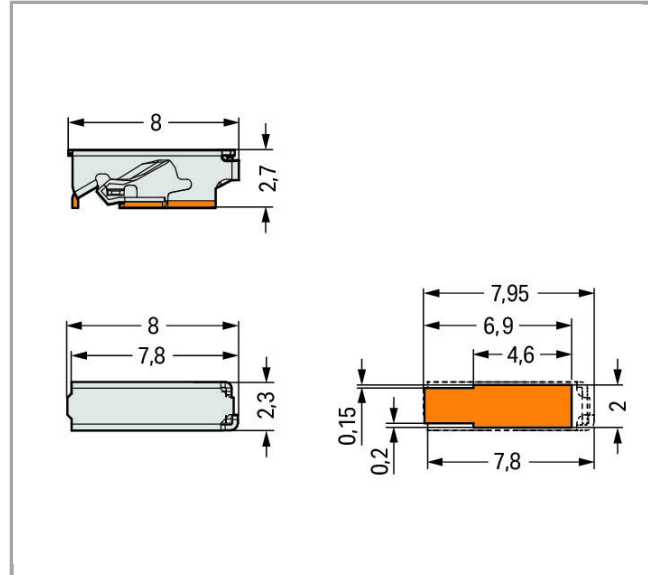


Data sheet | Item number: 2065-101/998-403

SMD PCB terminal block; 0.75 mm²; Pin spacing 6 mm; 1-pole; PUSH WIRE®; in tape-and-reel packaging; Without housing; 0,75 mm²; silver-colored



www.wago.com/2065-101/998-403



Item description

- SMD PCB terminal block with PUSH WIRE® connection technology
- Push-in termination of solid conductors

—



- Just 2.7 mm tall
- Available in tape-and-reel packaging for automated assembly

Note:

Die Bemessungsdaten basieren auf dem exemplarischen Rastermaß von 6 mm.

Das Layout ist gemäß den Anforderungen der Isolationskoordination EN/IEC 60664-1 bzw. der Endgerätenormen auszulegen.

Safety information 1:

NOTE: Terminal block without insulation housing! Protection against accidental contact must be provided at voltages higher than low voltages (e.g., SELV/PELV) for the relevant application.

Data**Electrical data****Ratings per IEC/EN 60664-1**

Rated voltage (III / 3)	250 V
Rated impulse voltage (III / 3)	4 kV
Rated voltage (III / 2)	320 V
Rated impulse voltage (III / 2)	4 kV
Rated voltage (II / 2)	630 V
Rated impulse voltage (II / 2)	4 kV
Rated current	9 A

Approvals per UL 1977

Rated voltage per UL 1977 (factory wiring only)	600 V
Rated current per UL 1977 (factory wiring only)	9 A

Connection data

Connection technology	PUSH WIRE®
Actuation type	Push-in
Solid conductor	0.2 ... 0.75 mm ² / 24 ... 18 AWG
Strip length	7.5 ... 9.5 mm / 0.3 ... 0.37 inch
Conductor entry angle to the PCB	0°
Total number of connection points	1
Total number of potentials	1
Number of connection types	1
Number of levels	1
No. of poles	1

Geometrical Data

Pin spacing	6 mm / 0.236 inch
Width	2.3 mm / 0.091 inch

Height	2.7 mm / 0.106 inch
Depth	8 mm / 0.315 inch
Reel diameter of tape-and-reel packaging	330 mm
Tape width	16 mm

PCB contact

PCB contact	SMD
-------------	-----

Material Data

Color	silver-colored
Insulating material	Polyamide 66 (PA 66)
Clamping spring material	Chrome nickel spring steel (CrNi)
Contact material	Copper alloy
Contact plating	tin-plated
Weight	0.14 g

Environmental Requirements



Limit temperature range	-60 ... +120 °C
-------------------------	-----------------

Commercial data

Country of origin	CH
GTIN	4055143665438
Customs Tariff No.	85369010000


Approvals / Certificates

Country specific Approvals

Logo	Approval	Additional Approval Text	Certificate name
	CB DEKRA Certification B.V.	EN 60947-7-4	NL-49896 (IEC 60947-7- 4:2013)
	KEMA/KEUR DEKRA Certification B.V.	EN 60947-7-4	71- 102154
	KEMA/KEUR DEKRA Certification B.V.	EN 60998	71- 102159

UL-Approvals



Logo	Approval	Additional Approval Text	Certificate name
	UR Underwriters Laboratories Inc.	UL 1977	E45171 sec. 25

Downloads

Documentation

Additional Information

Technical explanations	Apr 3, 2019	pdf 3.6 MB	Download
------------------------	-------------	---------------	----------

CAD/CAE-Data

CAD data

3D Download 2065-101/998-403	URL	Download
------------------------------	-----	----------

Subject to changes.