

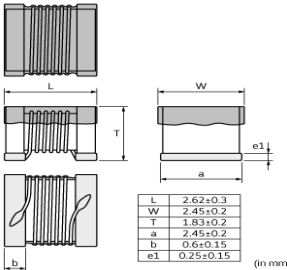
LQW2UASR18G0C#

"#" indicates a package specification code.

New
In Production
General
85 °C max.
Wound (Non mag)
Tight Tolerance
Reflow OK
RoHS
REACH

< List of part numbers with package codes >
 LQW2UASR18G0CL , LQW2UASR18G0CB

Shape



	(in mm)
L	2.62±0.3
W	2.45±0.2
T	1.83±0.2
a	2.45±0.2
b	0.6±0.15
e1	0.25±0.15

L size	2.62 ±0.3mm
W size	2.45 ±0.2mm
T size	1.83 ±0.2mm
Size code in inch (mm)	1008 (2520)

References

Packaging code	Specifications	Minimum quantity
L	φ180mm Embossed taping	2000
B	Packing in bulk	500

Mass (Typ.)	
1 piece	0.039g

Specifications

Inductance	180nH ±2%
Inductance test frequency	25MHz
Rated current (Itemp) (Based on Temperature rise)	620mA
Max. of DC resistance	0.77Ω
Q (min.)	45
Q test frequency	100MHz
Self resonance frequency (min.)	750MHz
Operating temperature range (Self-temperature rise is not included)	-40°C to 85°C
Series	LQW2UAS_0C

Attention

- 1.This datasheet is downloaded from the website of Murata Manufacturing Co., Ltd. Therefore, it's specifications are subject to change or our products in it may be discontinued without advance notice. Please check with our sales representatives or product engineers before ordering.
- 2.This datasheet has only typical specifications because there is no space for detailed specifications. Therefore, please review our product specifications or consult the approval sheet for product specifications before ordering.