

Würth Elektronik eiSos GmbH & Co. KG

EMC & Inductive Solutions

Max-Eyth-Straße 1 · 74638 Waldenburg · Germany

Tel. +49 (0) 79 42 945-0 · Fax +49 (0) 79 42 945-400

eiSos@we-online.de · www.we-online.de



Product / Process Change Notification (PCN)

- Major change
 Minor change

<p>PCN #: PCN_WIRL-PRO1_20190801</p> <p>Affected Series: WE-WIRL-PRO1; P/N 260701111100x</p> <p>PCN Date: July 01, 2019</p> <p>Effective Date: August 01, 2019</p>	<p>Change Category:</p> <p><input type="checkbox"/> Equipment / Location <input checked="" type="checkbox"/> General Data <input type="checkbox"/> Material <input type="checkbox"/> Process <input type="checkbox"/> Product Design <input type="checkbox"/> Shipping / Packaging <input type="checkbox"/> Supplier <input type="checkbox"/> Software</p>
<p>Contact: Product Management</p> <p>Phone: +49 (0) 7942 - 945 5001</p> <p>Fax: +49 (0) 7942 - 945 5179</p> <p>E-Mail: pcn.eismart@we-online.com</p>	<p>Data Sheet Change:</p> <p><input checked="" type="checkbox"/> Yes <input type="checkbox"/> No</p> <p>Attachment:</p> <p><input type="checkbox"/> Yes <input checked="" type="checkbox"/> No</p>

DESCRIPTION AND PURPOSE OF CHANGE:

Because of a database mismatch, Würth Elektronik will correct the datasheet.
All products since market launch, are affected by this change.
There will be no change in form, fit, function, quality or reliability of the product.

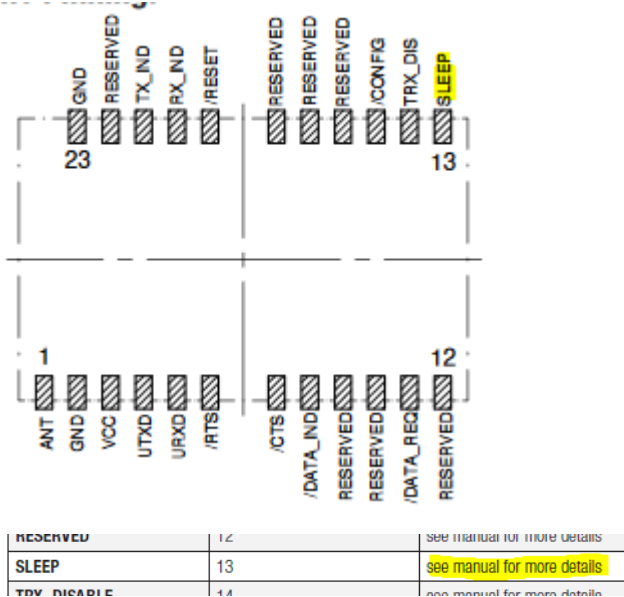
DETAIL OF CHANGE:

Pin 13 of the module was named as sleep pin but pin 13 is reserved for functions not yet implemented. Through the description in the product manual the pin function was explained correctly.
Even with the correct information in the user manual and the note in the datasheet that the user manual is binding a PCN information is created to explicitly inform customers and avoid errors in the design in phase.

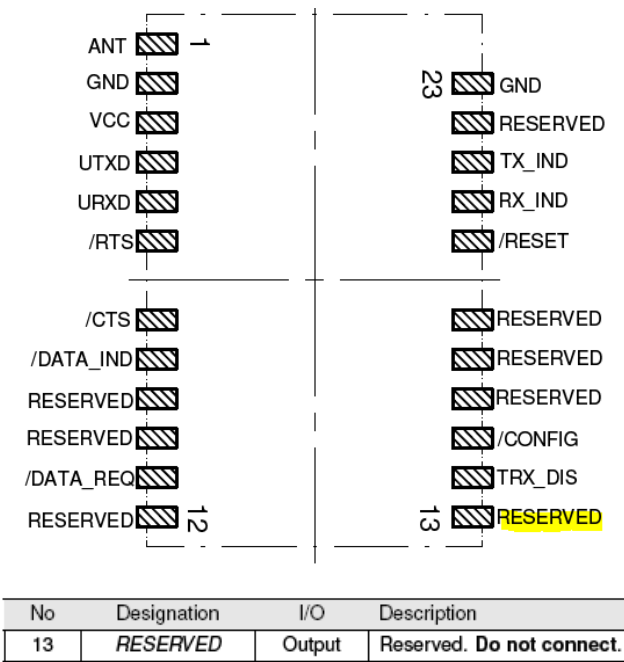


OLD:

DATASHEET:

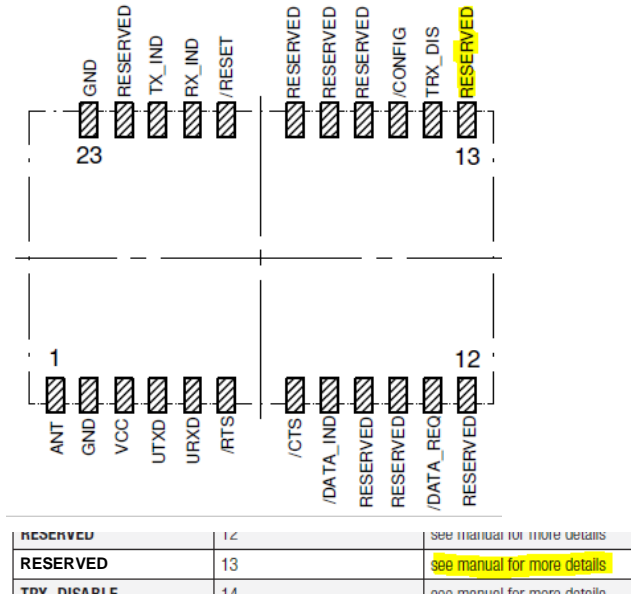


USER MANUAL:

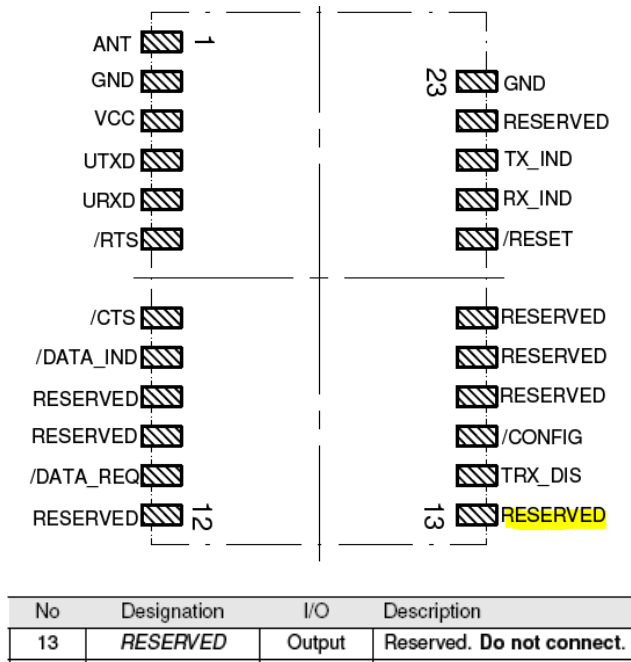


NEW:

DATASHEET:



USER MANUAL:



RELIABILITY / QUALIFICATION SUMMARY:

There will be no change of the product, therefore no additional reliability or qualification testing will be performed.