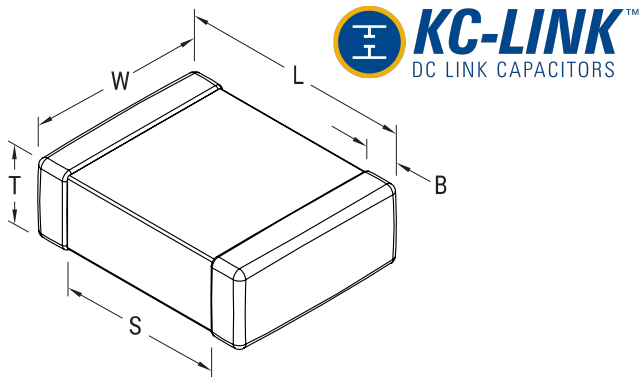


KC Link Auto C0G, Ceramic, DC Link. 0.047 uF, 10%, 1200V, C0G, SMD, MLCC. High Voltage. Ultra-Stable, Low Loss, 3640



General Information	
Supplier:	KEMET
Series:	KC Link Auto C0G
Style:	SMD Chip
Description:	SMD, MLCC, High Voltage, Ultra-Stable, Low Loss
Features:	Ultra-Stable, Low Loss
RoHS:	Yes
Termination:	Tin
Failure Rate:	N/A
Chip Size:	3640

Dimensions	
L	9.3mm +/-0.6mm
W	10.2mm +/-0.4mm
T	2.5mm +/-0.2mm
B	1.27mm +/-0.4mm

Packaging Specifications	
Packaging:	T&R, 180mm, Plastic Tape
Packaging Quantity:	250

Specifications	
Capacitance:	0.047 uF
Capacitance Tolerance:	10%
Voltage DC:	1,200 VDC
Dielectric Withstanding Voltage:	1,440 V
Temperature Range:	-55/+150C
Temperature Coefficient:	C0G
Dissipation Factor:	0.10% 1kHz 25C
Aging Rate:	0% Loss/Decade Hour
Insulation Resistance:	21.2766 GOhms

Rev. 6/6/18