

# USB 2.0 Type A Receptacle

## Single Port, Right Angle PCB



### Specifications:

#### Material:

Insulator : PBT  
 Insulator colour : Black  
 Contacts : Phosphor Bronze  
 Shell : Phosphor Bronze, Nickel Plated

#### Plating:

Gold flash over Nickel underplate on contact area, Tin over Copper underplate on PCB tails

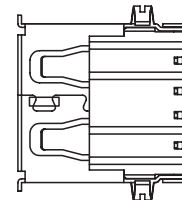
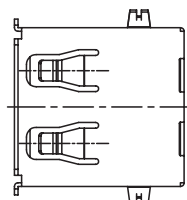
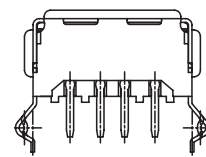
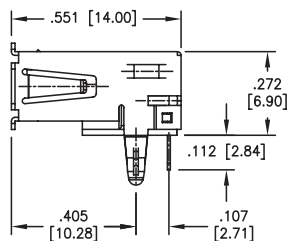
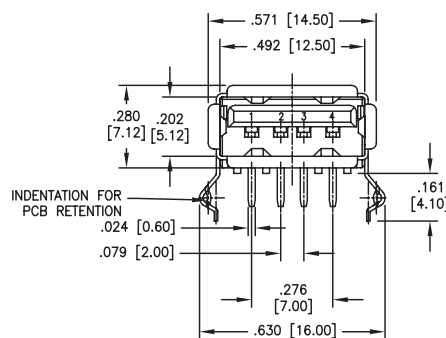
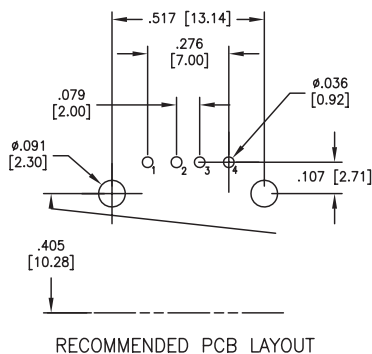
#### Electrical:

Voltage rating : 30V AC  
 Current rating : 1.5 Amp @ 250V AC  
 Contact resistance : 30mΩ Max.  
 Insulation resistance : 1,000MΩ Min. @ 500V DC  
 Dielectric withstanding voltage : 500V AC

#### Temperature Rating:

Operating temperature : -20°C to +60°C

**RoHS  
Compliant**



Dimensions : Inches (Millimetres)

### Part Number Table

Description	Part Number
USB 2.0 Type A Receptacle; Single Port, Right Angle PCB	USB-A-S-RA

**Important Notice :** This data sheet and its contents (the "Information") belong to the members of the Premier Farnell group of companies (the "Group") or are licensed to it. No licence is granted for the use of it other than for information purposes in connection with the products to which it relates. No licence of any intellectual property rights is granted. The Information is subject to change without notice and replaces all data sheets previously supplied. The Information supplied is believed to be accurate but the Group assumes no responsibility for its accuracy or completeness, any error in or omission from it or for any use made of it. Users of this data sheet should check for themselves the Information and the suitability of the products for their purpose and not make any assumptions based on information included or omitted. Liability for loss or damage resulting from any reliance on the Information or use of it (including liability resulting from negligence or where the Group was aware of the possibility of such loss or damage arising) is excluded. This will not operate to limit or restrict the Group's liability for death or personal injury resulting from its negligence. Multicomp is the registered trademark of the Group. © Premier Farnell plc 2012.

Newark.com/exclusive-brands  
 Farnell.com/exclusive-brands  
 Element14.com/exclusive-brands

