

# Customer Information Sheet

DRAWING No: M22-543XX05

SHEET 2 OF 2

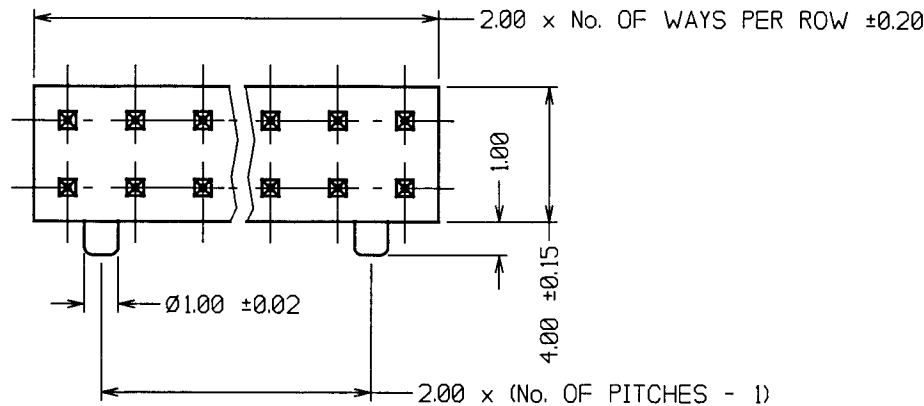
IF IN DOUBT - ASK

©

NOT TO SCALE

THIRD ANGLE PROJECTION

ALL DIMENSIONS IN mm



ORDER CODE:

M22-543XX05

No. OF WAYS PER ROW:   
03 TO 36

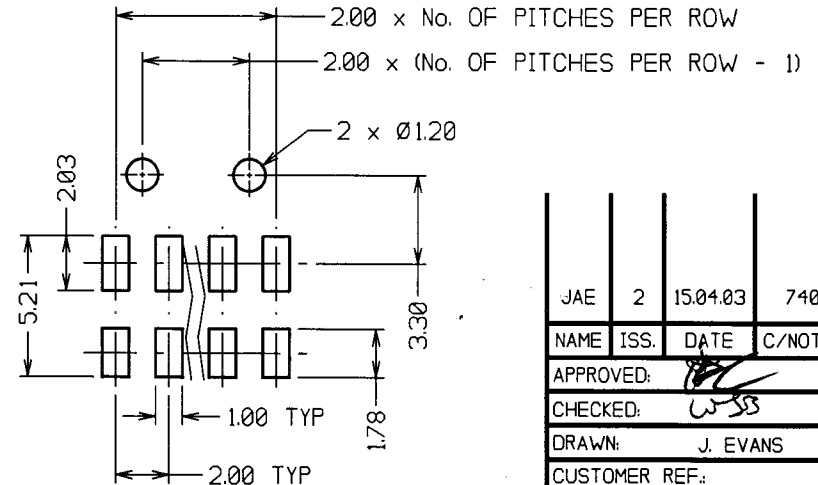
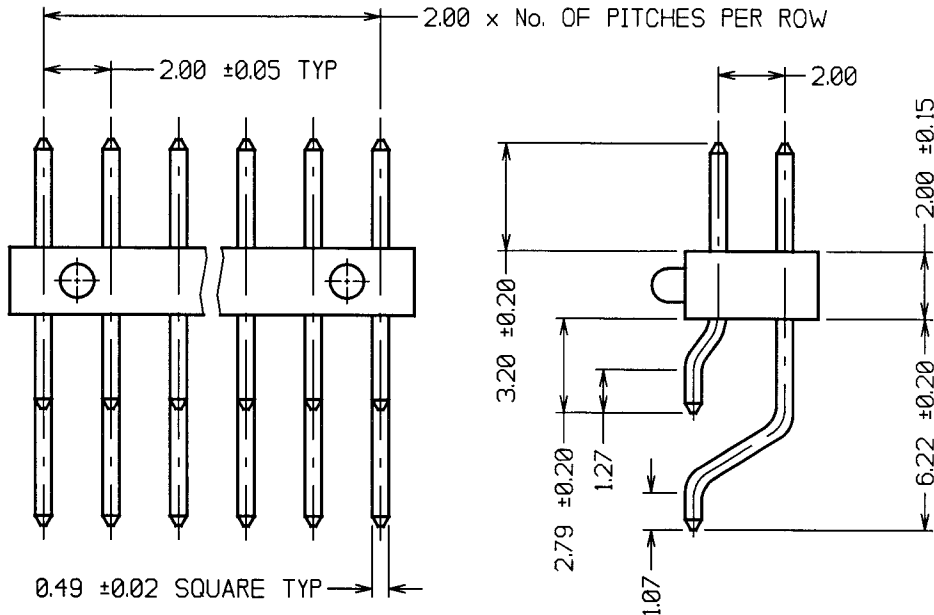
**SPECIFICATION:**

**MATERIAL:**  
 MOULDING - NYLON 6T UL94V-0, BLACK  
 CONTACT - PHOSPHOR BRONZE

**FINISH:**  
 CONTACT - GOLD

**ELECTRICAL:**  
 CURRENT RATING - 1.0A  
 CONTACT RESISTANCE - 20 MILLIOHMS MAX  
 INSULATION RESISTANCE - 5,000 MEGOHMS MIN  
 DIELECTRIC STRENGTH - 500V AC/MINUTE

**ENVIRONMENTAL:**  
 TEMPERATURE RANGE -  $-40^{\circ}\text{C}$  TO  $+105^{\circ}\text{C}$   
 FOR COMPLETE SPECIFICATION, SEE COMPONENT SPECIFICATION C018XX (LATEST ISSUE)



RECOMMENDED PAD LAYOUT

JAE	2	15.04.03	7405
NAME	ISS.	DATE	C/NOTE
APPROVED:			
CHECKED:			
DRAWN:		J. EVANS	
CUSTOMER REF.:			
ASSEMBLY DRG:			

## HARWIN

HARWIN INC  
 U.S.A.  
 TEL: (812) 285 0055  
 FAX: (812) 285 0056

HARWIN PLC  
 U.K.  
 TEL: 023 9237 0451  
 FAX: 023 9231 4590

HARWIN PTE  
 SINGAPORE  
 TEL: 65 7794909  
 FAX: 65 7793868

THIS DRAWING AND ANY INFORMATION OR DESCRIPTIVE MATTER SET OUT HEREON ARE CONFIDENTIAL AND COPYRIGHT PROPERTY OF THE HARWIN GROUP AND MUST NOT BE DISCLOSED, LOANED, COPIED OR USED FOR MANUFACTURING, TENDERING OR FOR ANY OTHER PURPOSE WITHOUT THEIR WRITTEN PERMISSION.

**TOLERANCES**  
 X. -  $\pm 1\text{mm}$   
 X.X -  $\pm 0.25\text{mm}$   
 X.XX -  $\pm 0.10\text{mm}$   
 X.XXX -  $\pm 0.01\text{mm}$   
 ANGLES -  $\pm 5^{\circ}$   
 UNLESS STATED

**MATERIAL:**  
 SEE ABOVE

**FINISH:**  
 SEE ABOVE

**S/AREA:**  
 mm<sup>2</sup>

**TITLE:**  
 2.00mm PITCH DIL HORIZONTAL SMT PIN HEADER ASSEMBLY

**DRAWING NUMBER:**  
 M22-543XX05

SHT  
 2 OF  
 2