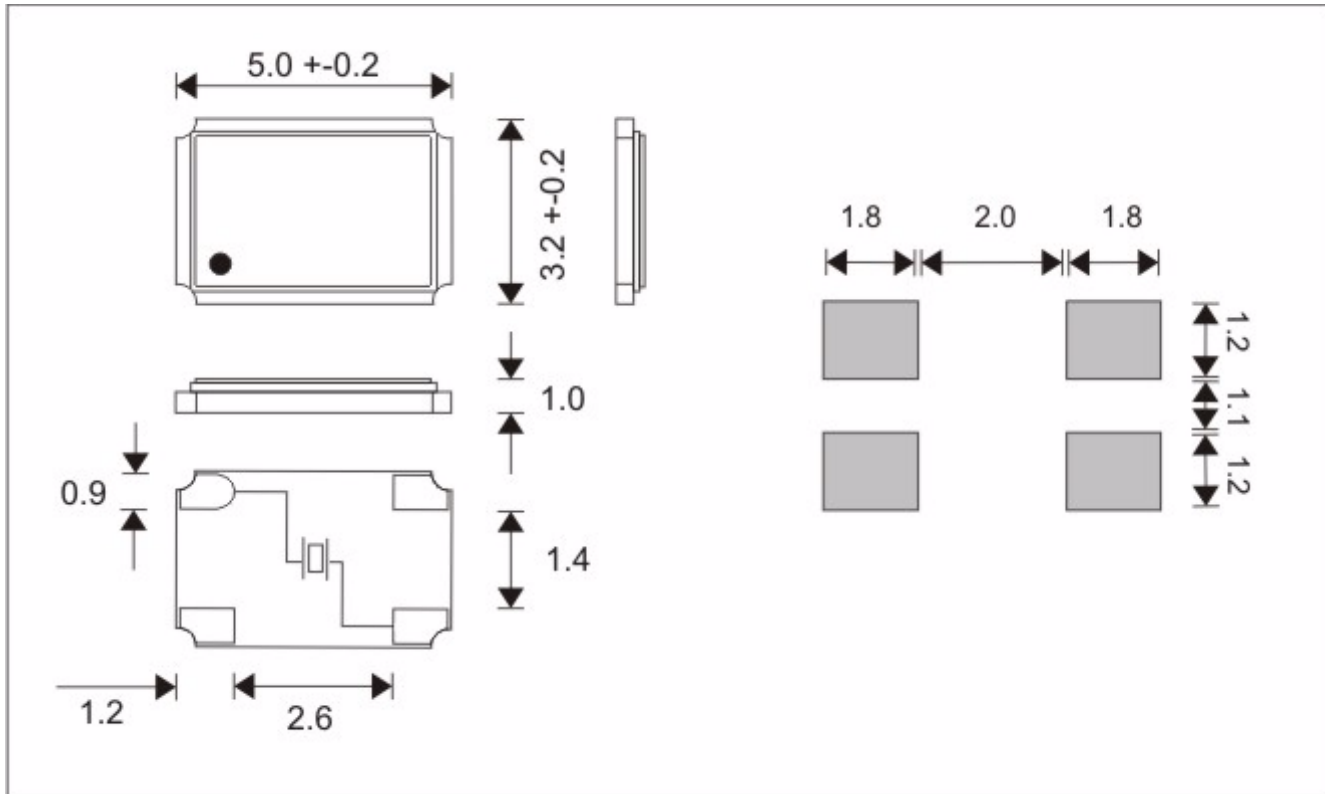




**SPECIFICATION
CONTROL DRAWING
Crystal Resonator**

**FREQUENCY
10.000000MHz**



Holder Style	5x32x1 4-Pad
Mode	Fundamental
Adjustment Tolerance	± 30 PPM at 25°C
Temperature Stability	± 30 PPM
Operating Temp. Range	-40°C to +85°C
Load Capacitance	18 pF
ESR	50 Max Ohm
Static Capacitance (C0)	Unspecified pF
Ageing	+/-5ppm 1st Year Max
Marking	AEL10.000 ww/yy

Amdt Date	Change Note	AEL Code
		X10M000000S021
		Issue Ref A