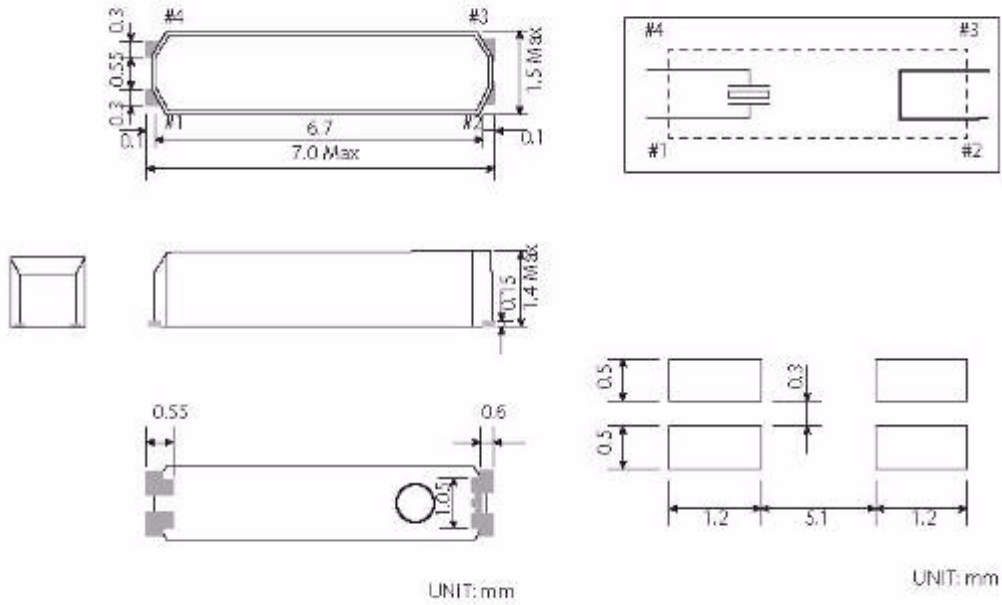




**SPECIFICATION
CONTROL DRAWING
Crystal Resonator**

**FREQUENCY
32.768000kHz**



Holder Style	SSP-T7
Mode	Fundamental
Adjustment Tolerance	± 20PPM at 25°C
Operating Temp. Range	-40°C to +85°C
Load Capacitance	12.5 pF
ESR	65K Ohm
Drive Level	0.001 mW
Static Capacitance (C0)	0.8 pF
Ageing	+/-3ppm 1st Yr Max
Marking	12 YWW

Amdt Date	Change Note	AEL Code
24 APR 14	fixed error in Drive level from 1mW to 0.0001mW	X32K768S020
7 SEP 15	Marking Updated	Issue Ref C