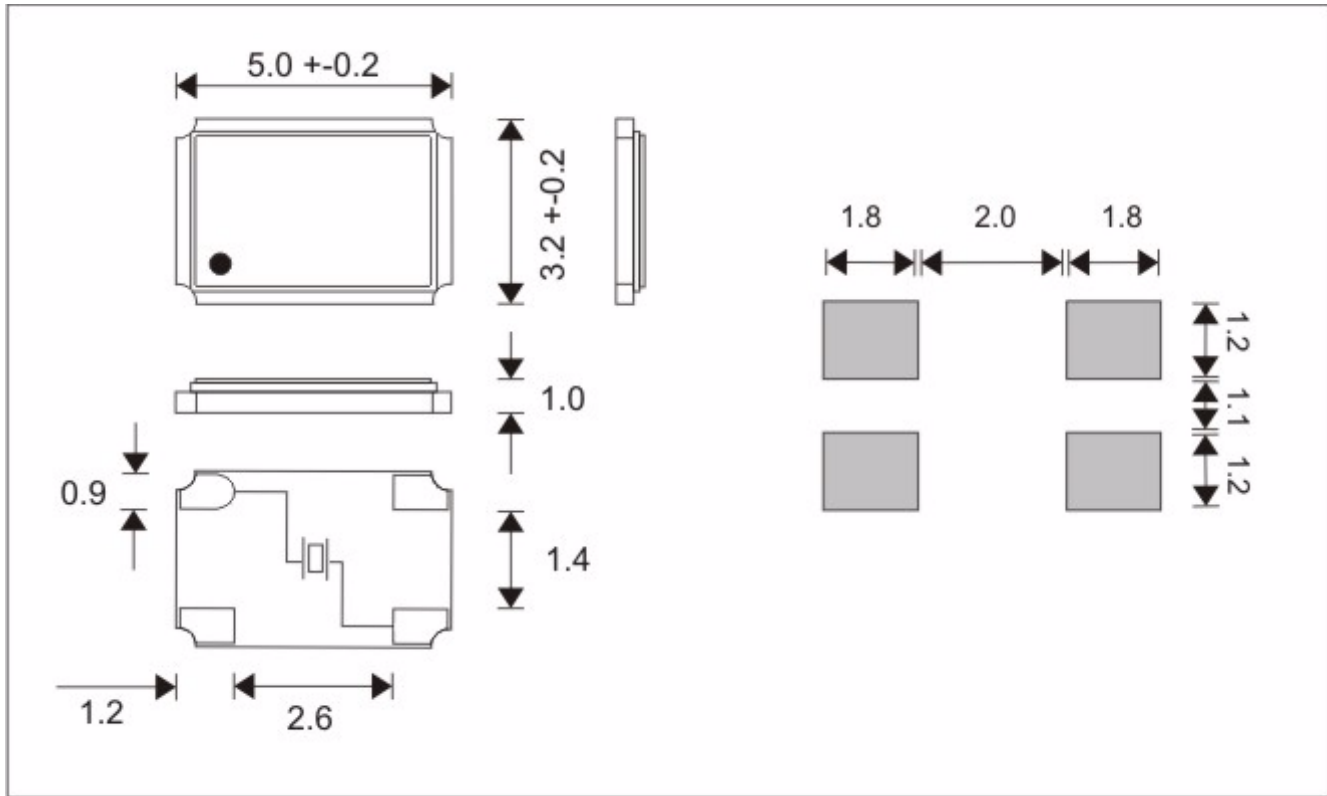




**SPECIFICATION
CONTROL DRAWING
Crystal Resonator**

FREQUENCY

8.057000MHz



Holder Style	5x32x1 4-Pad
Mode	Fundamental
Adjustment Tolerance	± 30 PPM at 25°C
Temperature Stability	± 30 PPM
Operating Temp. Range	-20°C to +70°C
Load Capacitance	18 pF
ESR	100 Max Ohm
Static Capacitance (C0)	Unspecified pF
Ageing	+/-5ppm 1st Year Max
Marking	AEL8.057 ww/yy

Amdt Date	Change Note	AEL Code
		X8M057000S001
		Issue Ref A