

**PLEASE CHECK WWW.MOLEX.COM FOR LATEST PART INFORMATION**

**Part Number:** **0466261305**  
**Status:** **Active**  
**Overview:** L1NK Connector System  
**Description:** L1NK 250 Female Crimp Terminal, 22-24 AWG, Tin (Sn) Plating, Reel

**Documents:**

<a href="#">Drawing (PDF)</a>	<a href="#">Packaging Specification PK-46626-001-001 (PDF)</a>
<a href="#">Product Specification 2079020001-PS-000 (PDF)</a>	<a href="#">Test Summary 2079020000-TS-000 (PDF)</a>
<a href="#">Application Specification 2079020001-AS-000 (PDF)</a>	<a href="#">RoHS Certificate of Compliance (PDF)</a>

**General**

Product Family	Crimp Terminals
Series	<u>46626</u>
Application	Power, Wire-to-Board
Crimp Quality Equipment	Yes
Datasheet Order No	987651-9951
Overview	<u>L1NK Connector System</u>
Product Name	L1NK 250
UPC	191130122134

**Physical**

Durability (mating cycles max)	25
Gender	Female
Material - Metal	Copper Alloy
Material - Plating Mating	Tin
Material - Plating Termination	Tin
Net Weight	0.051/g
Packaging Type	Reel
Termination Interface: Style	Crimp or Compression
Wire Insulation Diameter	1.42mm-1.60mm
Wire Size AWG	22, 24
Wire Size mm <sup>2</sup>	0.20-0.33

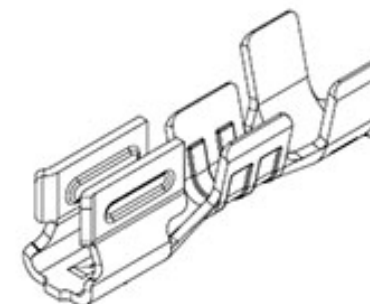
**Electrical**

Current - Maximum per Contact	6.5A
Voltage - Maximum	250V AC (RMS)/DC

**Material Info**

**Reference - Drawing Numbers**

Application Specification	2079020001-AS-000
Packaging Specification	PK-46626-001-001
Product Specification	2079020001-PS-000
Sales Drawing	466260002-SD-000
Test Summary	2079020000-TS-000



Series image - Reference only

**EU ELV**

**Not Relevant**

**EU RoHS**

**Compliant**

**REACH SVHC**

Not Contained Per -  
ED/71/2019 (16 July  
2019)

**Halogen-Free**

**Status**

**Low-Halogen**

For more information, please visit [Contact US](#)

China ROHS

ELV

RoHS Phthalates

**China RoHS**

Green Image

Not Relevant

Not Contained

**Search Parts in this Series**

46626 Series

**Use With**

L1NK 250 Receptacle Housing 207841

**Application Tooling | FAQ**

*Tooling specifications and manuals are found by selecting the products below. Crimp Height Specifications are then contained in the Application Tooling Specification document.*

**Global**

**Description**

**Product #**

FineAdjust Applicator for L1NK 250 Female Crimp Terminal, 22-24 AWG, UL1007 Wire	<u>639047600</u>
--	------------------