

NiMH Rechargeable AAA (High Top) Battery

Low-self Discharge, 1.2V, 750mAh

multicomp PRO

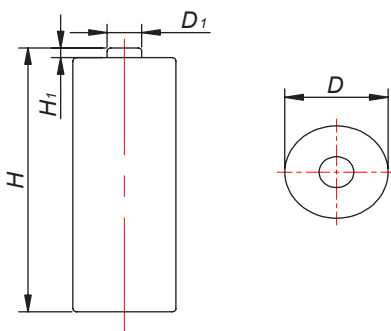
**RoHS
Compliant**

Specifications

Nominal Voltage		1.2V/cell
Capacity	Typical	800mAh/0.2CmA@20°C
	Minimum	750mAh/0.2CmA@20°C
Charge	Standard	0.1CmA for 16 hrs.
	Rapid	0.3CmA for 4hrs.(approx.) -ΔV = 0 to 5mV/cell, Temp. cut-off = 45 to 50°C, dT / dt=0.8°C/ min. Ta = 0 to 40°C.
	Trickle	0.03CmA
Maximum Discharge Current		1CmA
Discharge Cut-off Voltage		1V/cell
Cycle Life		500 cycles (See Note: 6)
Applicable Temperature	Standard Charge	0 to +45°C
	Rapid Charge	10 to +45°C
	Discharge	-10 to +65°C
Storage	Within one year	-20°C to +35°C
	Within 3 months	-20°C to +45°C
	Within 1 month	-20°C to +55°C
Typical Capacity Remained at 20°C(or below)		90%
		80%
Relative Humidity Range		65% ±20%
Dimension		D = 10.5mm max., H = 44.5mm max.
Weight		Approx. 30g

- This specification is available only for the testing within one month since receipt of battery packs
- To keep the best performance for those not used for a long time, we recommend to charge the cells/batteries at least 30% after discharge entirely in every 6 months.
- Note: Specifications are subject to be modified without prior notice.

Diagram



Dimensions (cell)

D	: 9.8 to 10.5mm
H	: 43.5 to 44.5mm
D₁	: ≤3.8mm
H₁	: >1.5mm

Newark.com/multicomp-pro
Farnell.com/multicomp-pro
Element14.com/multicomp-pro

multicomp PRO

NiMH Rechargeable AAA (High Top) Battery
Low-self Discharge, 1.2V, 750mAh

multicomp PRO

Part Number Table

Description	Part Number
NiMH Rechargeable Battery, AAA, 1.2V, 750mAh, 4PK Blister	MP001185

Important Notice : This data sheet and its contents (the "Information") belong to the members of the AVNET group of companies (the "Group") or are licensed to it. No licence is granted for the use of it other than for information purposes in connection with the products to which it relates. No licence of any intellectual property rights is granted. The Information is subject to change without notice and replaces all data sheets previously supplied. The Information supplied is believed to be accurate but the Group assumes no responsibility for its accuracy or completeness, any error in or omission from it or for any use made of it. Users of this data sheet should check for themselves the Information and the suitability of the products for their purpose and not make any assumptions based on information included or omitted. Liability for loss or damage resulting from any reliance on the Information or use of it (including liability resulting from negligence or where the Group was aware of the possibility of such loss or damage arising) is excluded. This will not operate to limit or restrict the Group's liability for death or personal injury resulting from its negligence. Multicomp Pro is the registered trademark of Premier Farnell Limited 2019.

Newark.com/multicomp-pro
Farnell.com/multicomp-pro
Element14.com/multicomp-pro

multicomp PRO