

4P4C Modular Plug



**RoHS
Compliant**

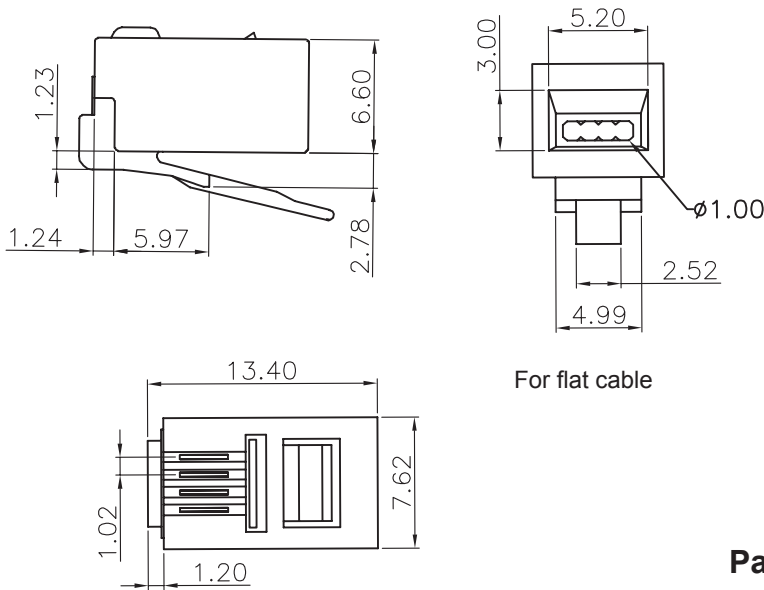


Specifications:

Current Rating	: 1A AC/DC
Voltage Rating	: 150V AC/DC
Maximum Contact Resistance	: 20mΩ
Minimum Insulator Resistance	: 1,000MΩ
Withstanding Voltage	: 500V AC for one minute
Operating Temperature Range	: -40°C to +125°C
Gender	: Plug
No. of Ports	: 1
Contact Termination	: IDC / IDT
No. of Ways	: 4/4

Material and finish:

Insulator	: High Temperature Plastic
Contact	: Phosphor Bronze
Plating	: Gold Plated



For flat cable

Dimensions : Millimetres

Part Number Table

Description	Part Number
Modular Plug, 4P4C, Flat	7001-4P4C

Important Notice : This data sheet and its contents (the "Information") belong to the members of the AVNET group of companies (the "Group") or are licensed to it. No licence is granted for the use of it other than for information purposes in connection with the products to which it relates. No licence of any intellectual property rights is granted. The Information is subject to change without notice and replaces all data sheets previously supplied. The Information supplied is believed to be accurate but the Group assumes no responsibility for its accuracy or completeness, any error in or omission from it or for any use made of it. Users of this data sheet should check for themselves the Information and the suitability of the products for their purpose and not make any assumptions based on information included or omitted. Liability for loss or damage resulting from any reliance on the Information or use of it (including liability resulting from negligence or where the Group was aware of the possibility of such loss or damage arising) is excluded. This will not operate to limit or restrict the Group's liability for death or personal injury resulting from its negligence. Multicomp is the registered trademark of Premier Farnell Limited 2019.

Newark.com/exclusive-brands
Farnell.com/exclusive-brands
Element14.com/exclusive-brands

