

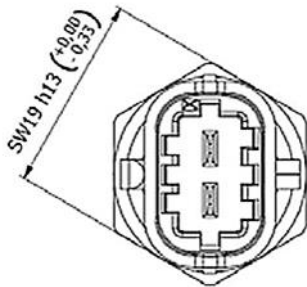
# Temperature sensor

## 94085

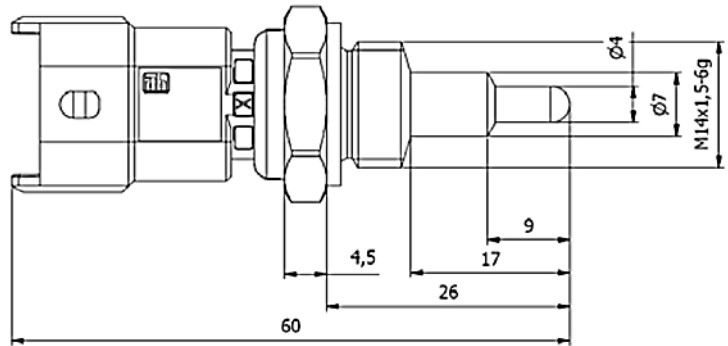
NTC Sensor, thermally decoupled



### Connector



### Dimensions



<b>Media</b>	Liquid media e.g. water, oil	<b>Connector</b>	Bosch Compact (D 928 002 69A)
<b>Nominal resistance</b>	2,055 Ω (25 °C), 186,5 Ω (100 °C) *	<b>Sealing ring</b>	Al-Dichtring unverlierbar Al-seal, captive
<b>Temperature range</b>	- 40 °C to + 150 °C	<b>Protection range</b>	IP 6K9K
<b>Time of response</b>	T63 ≤ 3s (water)	<b>Order number</b>	9408500900
<b>Thread</b>	M14 x 1.5		