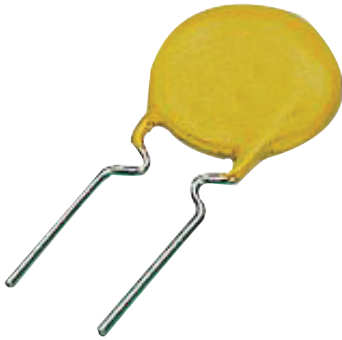


Radial Leaded PTC Resettable Fuse

multicomp PRO

**RoHS
Compliant**



Specifications:

| | |
|--------------------------|-----------------------------------------------------------------------------|
| Lead Material | : Tin plated copper |
| Soldering Characteristic | : MIL-DTD-202, Method 208E |
| Insulating Coating | : Flame retardant epoxy |
| Operating Current | : 50mA to 3A |
| Max. Voltage | : 60V |
| Temperature Range | : -40°C to 85°C |
| Applications | : Wide variety of electronic equipment |
| Product features | : Low hold current, solid state, radial leaded product ideal for up to 60V. |
| Agency Recognition | : UL File E345437 |

Electrical Characteristics (23°C)

| Part Number | Hold Current I _H , A | Trip Current I _T , A | Max. Time to Trip at 5 × I _H | Max. Current I _{MAX} , A | Rated Voltage V _{MAX} , V DC | Typical Power Pd, W | Resistance | |
|-------------|------------------------------------|------------------------------------|--------------------------------------------|--------------------------------------|------------------------------------------|------------------------|-----------------------|------------------------|
| | | | | | | | R _{MIN} Ω | R _{1MAX} Ω |
| MC36183 | 0.05 | 0.1 | 5 | 40 | 60 | 0.26 | 7.3 | 20 |
| MC33169 | 0.1 | 0.2 | 4 | | | 0.38 | 2.5 | 7.5 |
| MC33170 | 0.17 | 0.34 | 3 | | | 0.48 | 2 | 8 |
| MC36187 | 0.2 | 0.4 | 2.2 | | | 0.41 | 1.83 | 4.4 |
| MC36188 | 0.25 | 0.5 | 2.5 | | | 0.45 | 1.25 | 3 |
| MC36189 | 0.3 | 0.6 | 3 | | | 0.49 | 0.88 | 2.1 |
| MC36191 | 0.4 | 0.8 | 3.8 | | | 0.56 | 0.55 | 1.29 |
| MC36192 | 0.5 | 1 | 4 | | | 0.77 | 0.5 | 1.17 |
| MC36194 | 0.65 | 1.3 | 5.3 | | | 0.88 | 0.31 | 0.72 |
| MC36195 | 0.75 | 1.5 | 6.3 | | | 0.92 | 0.25 | 0.6 |
| MC36196 | 0.9 | 1.8 | 7.2 | | | 0.99 | 0.2 | 0.47 |
| MC36197 | 1.1 | 2.2 | 8.2 | | | 1.5 | 0.15 | 0.38 |
| MC36198 | 1.35 | 2.7 | 9.6 | | | 1.7 | 0.12 | 0.3 |
| MC36199 | 1.6 | 3.2 | 11.4 | | | 1.9 | 0.09 | 0.22 |
| MC36200 | 1.85 | 3.7 | 12.6 | | | 2.1 | 0.08 | 0.19 |
| MC36201 | 2.5 | 5 | 15.6 | | | 2.5 | 0.05 | 0.13 |
| MC36202 | 3 | 6 | 19.8 | | | 2.8 | 0.04 | 0.1 |

I_H = Hold current-maximum current at which the device will not trip at 23°C still air
I_T = Trip current-minimum current at which the device will always trip at 23°C still air
V_{MAX} = Maximum voltage device can withstand without damage at its rated current
I_{MAX} = Maximum fault current device can withstand without damage at rated voltage (V MAX)
Pd = Typical power dissipated from device when in tripped state in 23°C still air environment
R_{MIN} = Minimum device resistance at 23°C
R_{1MAX} = Maximum device resistance at 23°C, 1 hour after tripping

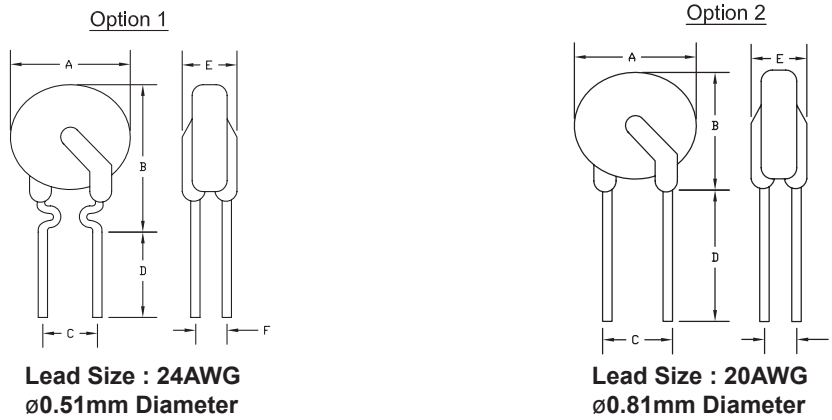
Newark.com/multicomp-pro
Farnell.com/multicomp-pro
Element14.com/multicomp-pro

multicomp PRO

Radial Leaded PTC Resettable Fuse

multicomp PRO

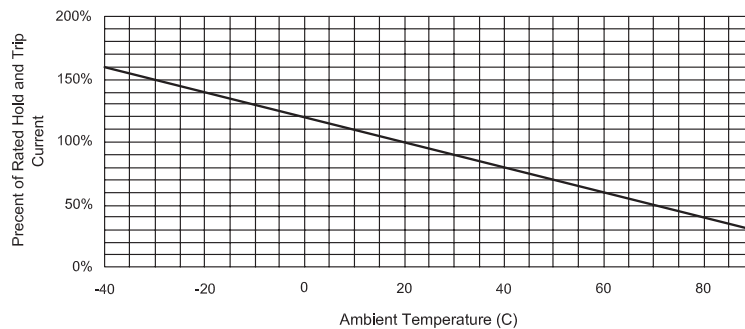
Dimensions



| Part Number | A Max. | B Max. | C Typical | D Min. | E Max. | F Typical | Drawing Option |
|-------------|-----------|-----------|--------------|-----------|-----------|--------------|----------------|
| MC36183 | 7.4 | 12.7 | 5.1 | 7.6 | 3.1 | 1.1 | Option 1 |
| MC33169 | | | | | | | |
| MC33170 | | | | | | | |
| MC36187 | | | | | | | |
| MC36188 | | | | | | | |
| MC36189 | 13 | | | | | | |
| MC36191 | 7.6 | 13.5 | | | | | |
| MC36192 | 7.9 | 13.7 | | | | | |
| MC36194 | 9.7 | 14.5 | | | | | |
| MC36195 | 10.4 | 15.2 | | | | | |
| MC36196 | 11.7 | 15.8 | | | | | |
| MC36197 | 13 | 18 | | | | | |
| MC36198 | 14.5 | 19.6 | | | | | |
| MC36199 | 16.3 | 21.3 | | | | | |
| MC36200 | 17.8 | 22.9 | | | | | |
| MC36201 | 21.3 | 26.4 | 10.2 | | | | |
| MC36202 | 24.9 | 30 | | | | | |
| | | | | | | 1.4 | Option 2 |

Dimensions : Millimetres

Thermal Derating Curve



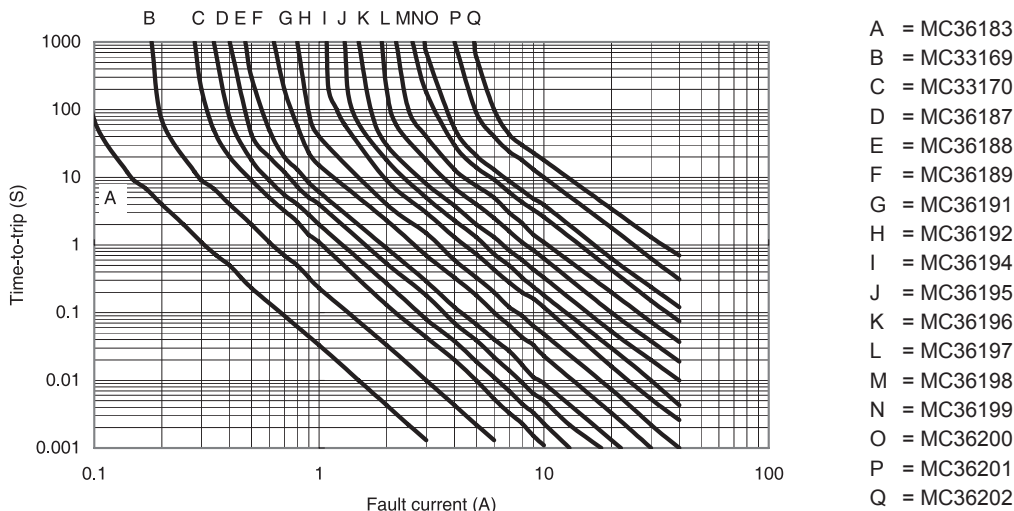
Newark.com/multicomp-pro
Farnell.com/multicomp-pro
Element14.com/multicomp-pro

multicomp PRO

Radial Leaded PTC Resettable Fuse



Typical Time-To-Trip at 23°C



Part Number Table

| Description | Part Number |
|-----------------------------------------|-------------|
| 50mA Radial Leaded PTC Resettable Fuse | MC36183 |
| 100mA Radial Leaded PTC Resettable Fuse | MC33169 |
| 170mA Radial Leaded PTC Resettable Fuse | MC33170 |
| 200mA Radial Leaded PTC Resettable Fuse | MC36187 |
| 250mA Radial Leaded PTC Resettable Fuse | MC36188 |
| 300mA Radial Leaded PTC Resettable Fuse | MC36189 |
| 400mA Radial Leaded PTC Resettable Fuse | MC36191 |
| 500mA Radial Leaded PTC Resettable Fuse | MC36192 |
| 650mA Radial Leaded PTC Resettable Fuse | MC36194 |
| 750mA Radial Leaded PTC Resettable Fuse | MC36195 |
| 900mA Radial Leaded PTC Resettable Fuse | MC36196 |
| 1.1A Radial Leaded PTC Resettable Fuse | MC36197 |
| 1.35A Radial Leaded PTC Resettable Fuse | MC36198 |
| 1.6A Radial Leaded PTC Resettable Fuse | MC36199 |
| 1.85A Radial Leaded PTC Resettable Fuse | MC36200 |
| 2.5A Radial Leaded PTC Resettable Fuse | MC36201 |
| 3A Radial Leaded PTC Resettable Fuse | MC36202 |

Important Notice : This data sheet and its contents (the "Information") belong to the members of the AVNET group of companies (the "Group") or are licensed to it. No licence is granted for the use of it other than for information purposes in connection with the products to which it relates. No licence of any intellectual property rights is granted. The Information is subject to change without notice and replaces all data sheets previously supplied. The Information supplied is believed to be accurate but the Group assumes no responsibility for its accuracy or completeness, any error in or omission from it or for any use made of it. Users of this data sheet should check for themselves the Information and the suitability of the products for their purpose and not make any assumptions based on information included or omitted. Liability for loss or damage resulting from any reliance on the Information or use of it (including liability resulting from negligence or where the Group was aware of the possibility of such loss or damage arising) is excluded. This will not operate to limit or restrict the Group's liability for death or personal injury resulting from its negligence. Multicomp Pro is the registered trademark of Premier Farnell Limited 2019.

Newark.com/multicomp-pro
Farnell.com/multicomp-pro
Element14.com/multicomp-pro

