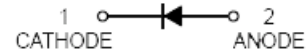


Schottky Barrier Diode

multicomp PRO



Features:

- Low Forward Voltage Drop
- Guard Ring Construction for Transient Protection
- Negligible Reverse Recovery Time
- Low Reverse Capacitance



SOD-123

Applications:

Schottky barrier switching

Maximum Rating @ T_A = 25°C unless otherwise specified

Parameter	Symbol	SD103CW-13-F	Unit
Peak repetitive peak reverse voltage Working peak DC reverse voltage	V_{RRM} V_{RWM} V_R	20	V
RMS reverse voltage	$V_{R(RMS)}$	14	V
Forward continuous current	I_F	350	mA
Repetitive peak forward current @ t < 1s	I_{FRM}	1.5	A
Power dissipation	P_D	400	mW
Thermal resistance junction to ambient	$R_{\theta JA}$	300	°C/W
Storage temperature	T_{stg}	-65 to +125	°C

Newark.com/multicomp-pro
Farnell.com/multicomp-pro
Element14.com/multicomp-pro

multicomp PRO

Electrical Characteristics @ $T_A = 25^\circ\text{C}$ unless otherwise specified

Parameter	Symbol	Min.	Typ.	Max.	Unit	Conditions
Reverse breakdown voltage	$V_{(BR)R}$	20			V	$I_R = 10\mu\text{A}$
Forward voltage	V_F			0.37 0.60	V	$I_F = 20\text{mA}$ $I_F = 200\text{mA}$
Reverse current	I_{RM}			5	μA	$V_R = 10\text{V}$
Capacitance between terminals	C_T		50		pF	$V_R = 0, f = 1\text{MHz}$
Reverse recovery time	t_{rr}		10		ns	$I_R = I_F = 200\text{mA}$ $I_{rr} = 0.1 * I_R, R_L = 100\Omega$

Typical Characteristics @ $T_A = 25^\circ\text{C}$ unless otherwise specified

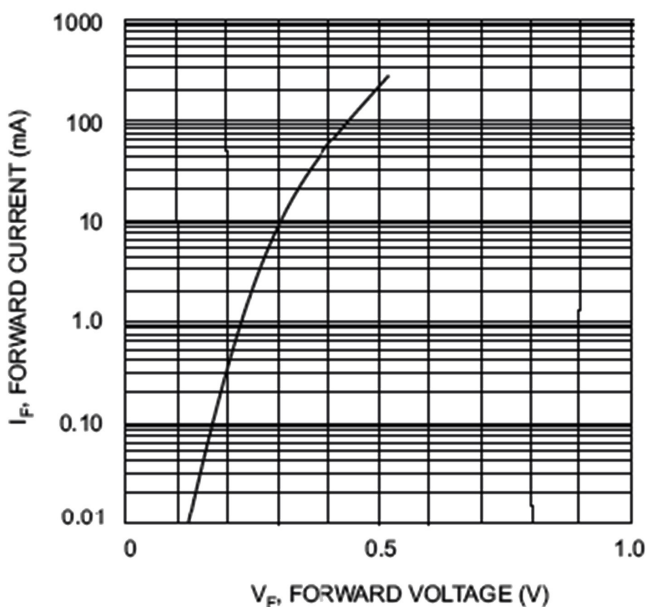


Fig. 1 Typical Forward Characteristics

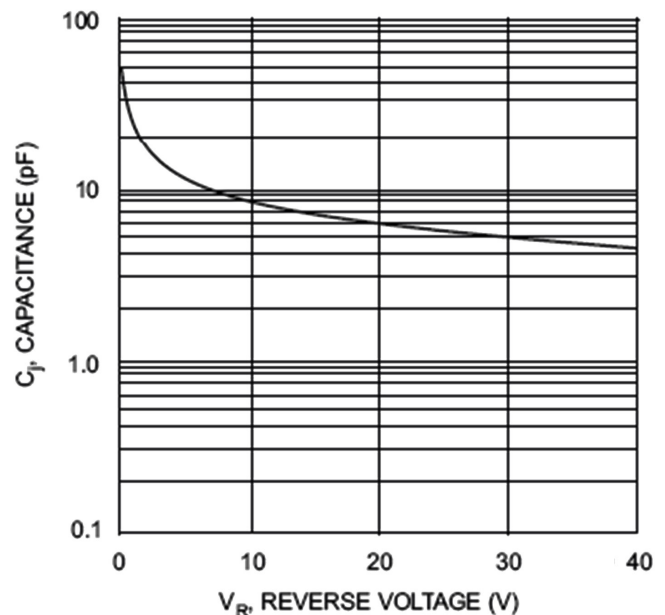
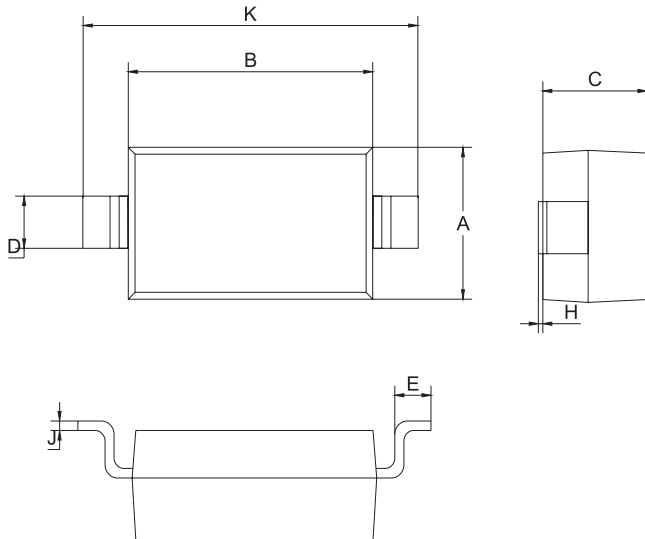


Fig. 2 Typ. Junction Capacitance vs Reverse Voltage

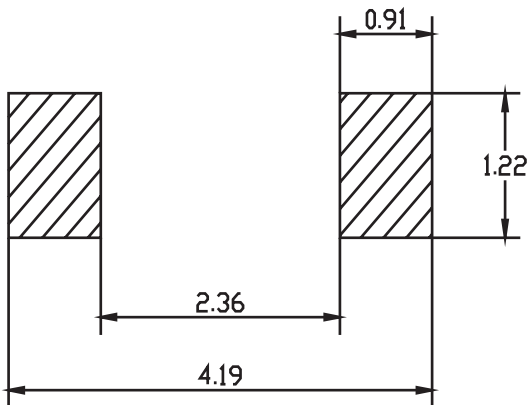
Package Outline

Plastic surface mounted package



SOD-123		
Dim	Min	Max
A	1.4	1.8
B	2.55	2.85
C	1.15 Typical	
D	0.5	0.6
E	0.3	0.4
H	0.02	0.10
J	0.1 Typical	
K	3.55	3.85
All Dimensions in mm		

Soldering Footprint



Dimensions : Millimetres

Package Information

Device	Package	Shipping
SD103CW-13-F	SOD-123	3,000/Tape & Reel

Part Number Table

Description	Part Number
Schottky Barrier Diode	SD103CW-13-F

Important Notice : This data sheet and its contents (the "Information") belong to the members of the AVNET group of companies (the "Group") or are licensed to it. No licence is granted for the use of it other than for information purposes in connection with the products to which it relates. No licence of any intellectual property rights is granted. The Information is subject to change without notice and replaces all data sheets previously supplied. The Information supplied is believed to be accurate but the Group assumes no responsibility for its accuracy or completeness, any error in or omission from it or for any use made of it. Users of this data sheet should check for themselves the Information and the suitability of the products for their purpose and not make any assumptions based on information included or omitted. Liability for loss or damage resulting from any reliance on the Information or use of it (including liability resulting from negligence or where the Group was aware of the possibility of such loss or damage arising) is excluded. This will not operate to limit or restrict the Group's liability for death or personal injury resulting from its negligence. Multicomp Pro is the registered trademark of Premier Farnell Limited 2019.