

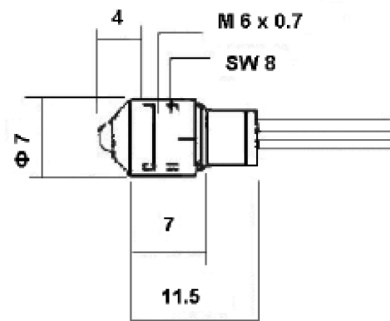


Description:

A range of panel mounting LED indicators in high quality bright chrome or black chrome plated brass housings. Fitted with fixing nut and washer.

Specifications:

Approval Bodies	: CE
Mounting Type	: Panel
Operating Temperature Range (T _{OP})	: -55°C to +70°C
Storage temperature (T _{STG})	: -55°C to +100°C
Mounting Hole Dia	: 6mm
Forward Current I _F	: 20mA
Bezel Depth	: 4mm
Bezel Diameter	: 7mm
Bulb Size	: 3mm
Length Behind Bezel	: 11.5mm
Package / Case	: Prominent - Bright Chrome



Dimensions : Millimetres

Part Number Table

Description	Colour	Typical Lumination Intensity (mcd) at I _F = 20mA	V _F (typical) (V)	I _F (maximum) (mA)	Part Number
Led Indicator, 3mm	Pure Orange	17.5	2 - 2.6	30	MC19020008
	Blue	5	3.8 - 4.4	50	MC19020007

Important Notice : This data sheet and its contents (the "Information") belong to the members of the AVNET group of companies (the "Group") or are licensed to it. No licence is granted for the use of it other than for information purposes in connection with the products to which it relates. No licence of any intellectual property rights is granted. The Information is subject to change without notice and replaces all data sheets previously supplied. The Information supplied is believed to be accurate but the Group assumes no responsibility for its accuracy or completeness, any error in or omission from it or for any use made of it. Users of this data sheet should check for themselves the Information and the suitability of the products for their purpose and not make any assumptions based on information included or omitted. Liability for loss or damage resulting from any reliance on the Information or use of it (including liability resulting from negligence or where the Group was aware of the possibility of such loss or damage arising) is excluded. This will not operate to limit or restrict the Group's liability for death or personal injury resulting from its negligence. Multicomp Pro is the registered trademark of Premier Farnell Limited 2019.