

Description:

- General Purpose NPN Silicon Planar Epitaxial Amplifier Transistors.
- This device is designed for general purpose amplifier application at collector currents to 100mA.

Pin Configuration:

1. Collector
2. Base
3. Emitter

Absolute Maximum Ratings (Tc=25°C unless otherwise noted)

Description	Symbol	Value	Unit
Collector-Emitter Voltage	V_{CEO}	50	V
Collector-Base Voltage	V_{CBO}	60	
Emitter-Base Voltage	V_{EBO}	6	
Collector Current Continuous	I_C	100	mA
Operating and Storage Junction Temperature Range	T_j, T_{stg}	- 55 to + 150	°C

Electrical Characteristics (Tc = 25°C unless specified otherwise)

Parameter	Symbol	Test Condition	Min.	Typ.	Max.	Units
Off Characteristics						
Collector-Emitter Breakdown Voltage	$V_{(BR)CEO}$	$I_C = 2mA, I_B = 0$	50			V
Collector-Base Breakdown Voltage	$V_{(BR)CBO}$	$I_C = 10\mu A, I_E = 0$	60			V
Emitter-Base Breakdown Voltage	$V_{(BR)EBO}$	$I_E = 10\mu A, I_C = 0$	6			V
Collector Cut-off Current	I_{CBO}	$V_{CB} = 50V, V_{BE} = 0$			15	nA
Emitter-Base Leakage Current	I_{EBO}	$V_{EB} = 4V, I_E = 0$			15	nA
On Characteristics						
DC Current Gain	h_{FE}	$V_{CE} = 5V, I_C = 10\mu A$ $V_{CE} = 5V, I_C = 100mA$	40 80			
Collector-Emitter Saturation Voltage	$V_{CE(SAT)}$	$I_C = 10mA, I_B = 0.5mA$ $I_C = 100mA, I_B = 5mA$			0.25 0.6	V
Base-Emitter Saturation Voltage	$V_{BE(SAT)}$	$I_C = 100mA, I_B = 5mA$			1.2	V
Base-Emitter On Voltage	$V_{BE(ON)}$	$V_{CE} = 5V, I_C = 2mA$	0.55		0.7	V

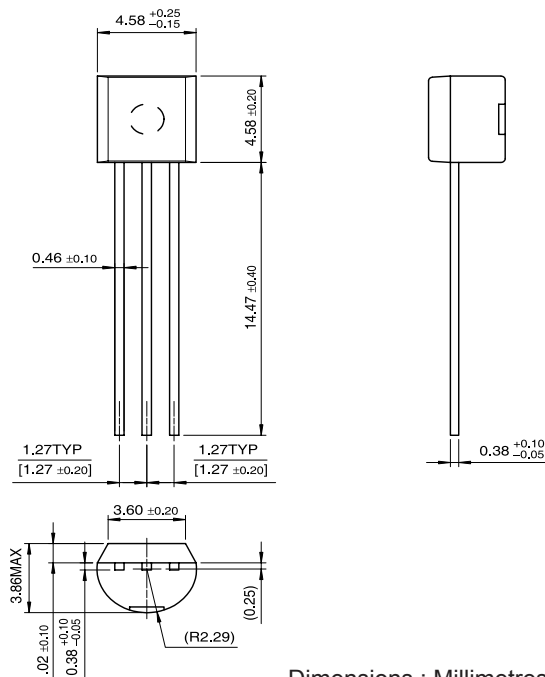
Electrical Characteristics (Tc = 25°C unless specified otherwise)

Parameter	Symbol	Test Condition	Min.	Typ.	Max.	Units
Dynamic Characteristics						
Current Gain Bandwidth Product	f _r	V _{CE} = 5V, I _c = 10mA, f = 100MHz	150			MHz
Output Capacitance	C _{ob}	V _{CE} = 10V, I _c = 0, f = 1MHz			5	pF
Small Signal Current Gain	h _{fe}	V _{CE} = 5V, I _c = 2mA, f = 1KHz	240		500	
Noise Figure	NF	V _{CE} = 5V, I _c = 0.2mA R _s = 2KΩ, f = 1KHz, BW = 200Hz			10	dB

Thermal Characteristics TA=25°C unless otherwise noted

Parameter	Symbol	Max.	Max.
Total Device Dissipation @TA=25°C Derate above 25°C	P _D	350 2.8	mW mW/°C
Thermal Resistance, Junction to Ambient	R _{θJA}	357	mW/°C
Thermal Resistance, Junction to Case	R _{θJC}	125	°C/W

TO-92



Part Number Table

Description	Part Number
Transistor, NPN, TO-92	BC182B

Important Notice : This data sheet and its contents (the "Information") belong to the members of the AVNET group of companies (the "Group") or are licensed to it. No licence is granted for the use of it other than for information purposes in connection with the products to which it relates. No licence of any intellectual property rights is granted. The Information is subject to change without notice and replaces all data sheets previously supplied. The Information supplied is believed to be accurate but the Group assumes no responsibility for its accuracy or completeness, any error in or omission from it or for any use made of it. Users of this data sheet should check for themselves the Information and the suitability of the products for their purpose and not make any assumptions based on information included or omitted. Liability for loss or damage resulting from any reliance on the Information or use of it (including liability resulting from negligence or where the Group was aware of the possibility of such loss or damage arising) is excluded. This will not operate to limit or restrict the Group's liability for death or personal injury resulting from its negligence. Multicomp Pro is the registered trademark of Premier Farnell Limited 2019.