

# LED

## Super Blue, 5mm

multicomp<sup>PRO</sup>

RoHS  
Compliant



### Specifications:

Dice material	: InGaN
Emitted colour	: Super Blue
Lens colour	: Water Clear
Peak wavelength	: 470nm
Viewing angle	: 16°
Luminous intensity (IV)	: 2,500mcd

### Absolute Maximum Ratings (T<sub>a</sub> = 25°C)

Reverse Voltage	5V
Reverse Current	10µA (V <sub>R</sub> = 5V)
Operating Temperature Range	-40°C to 85°C
Storage Temperature Range	-40°C to 100°C
Lead Soldering Temperature Range 1.6mm (1/16 inch) from body	260°C for 5 Seconds

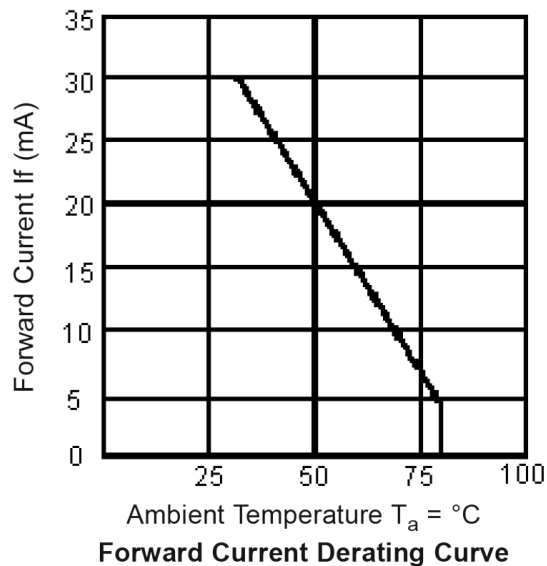
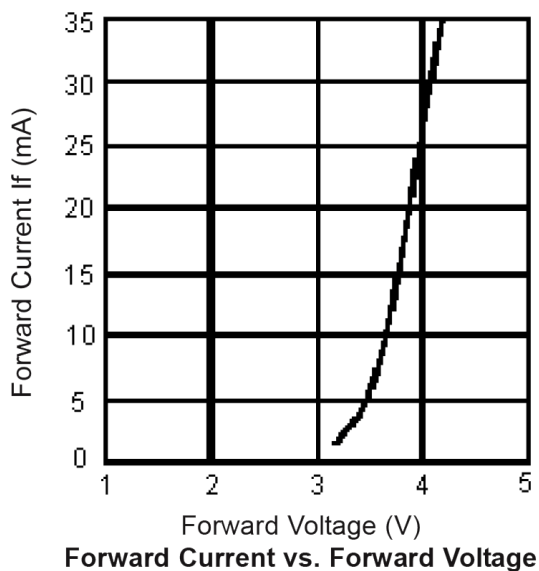
### Electrical/Optical Characteristics at T<sub>a</sub> = 25°C

Parameter	Symbol	Minimum	Typical	Maximum	Unit	Test
Luminous Intensity	IV	-	2,500	-	mcd	IF = 20mA
Viewing Angle	2θ 1/2	-	16	-	degrees	
Peak Emission Wavelength	λP	-	470	-	nm	-
Dominant Wavelength	λD	-	472	-		-
Spectral Line Half-Width	Δλ	-	45	-		-
Forward Voltage	VF	1.7	3.4	4	V	IF = 20mA
Power Dissipation	Pd	-	-	85	-	-
Peak Forward Current (Duty 1/10 at 1KHz)	IF (Peak)	-	-	100	-	-
Recommended Operating Current	IF (Rec)	-	20	-	mA	-

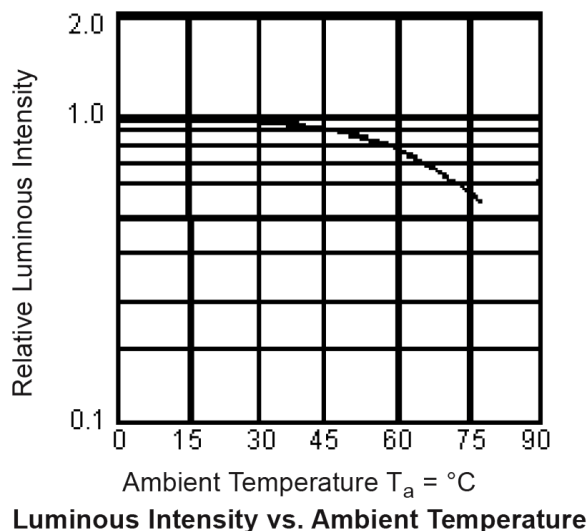
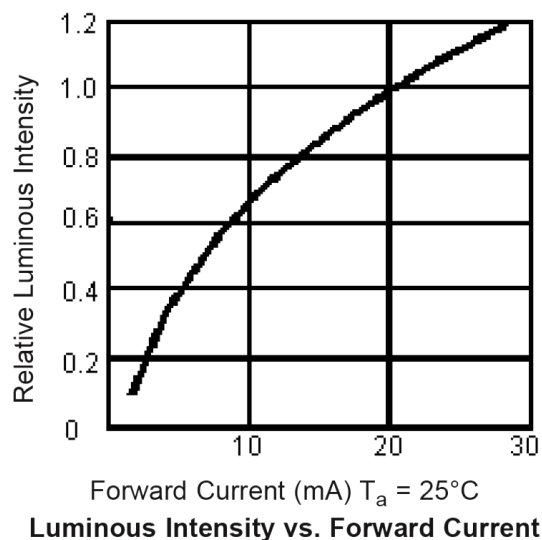
# LED

## Super Blue, 5mm

### Super Blue (InGaN $\lambda_P = 470\text{nm}$ )



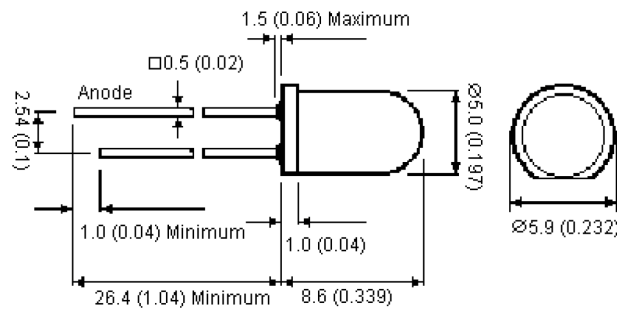
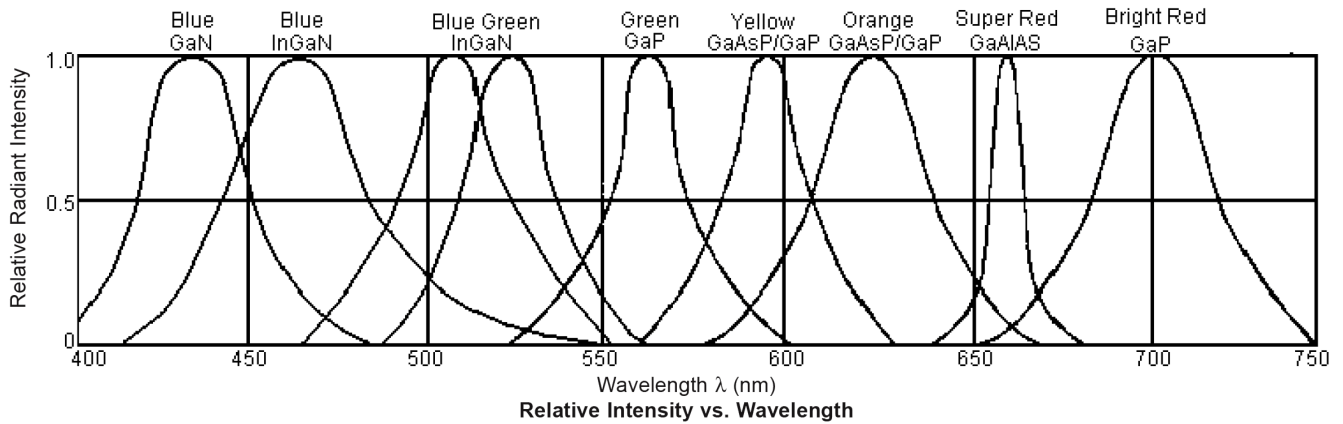
### Super Blue (InGaN $\lambda_P = 470\text{nm}$ )



# LED

## Super Blue, 5mm

**multicomp** PRO



Dimensions : Millimetres (Inches)

### Part Number Table

Description	Part Number
LED, 5mm, 16°, Super-Blue	MCL053SBLC

**Important Notice :** This data sheet and its contents (the "Information") belong to the members of the AVNET group of companies (the "Group") or are licensed to it. No licence is granted for the use of it other than for information purposes in connection with the products to which it relates. No licence of any intellectual property rights is granted. The Information is subject to change without notice and replaces all data sheets previously supplied. The Information supplied is believed to be accurate but the Group assumes no responsibility for its accuracy or completeness, any error in or omission from it or for any use made of it. Users of this data sheet should check for themselves the Information and the suitability of the products for their purpose and not make any assumptions based on information included or omitted. Liability for loss or damage resulting from any reliance on the Information or use of it (including liability resulting from negligence or where the Group was aware of the possibility of such loss or damage arising) is excluded. This will not operate to limit or restrict the Group's liability for death or personal injury resulting from its negligence. Multicomp Pro is the registered trademark of Premier Farnell Limited 2019.

Newark.com/multicomp-pro  
 Farnell.com/multicomp-pro  
 Element14.com/multicomp-pro

**multicomp** PRO