

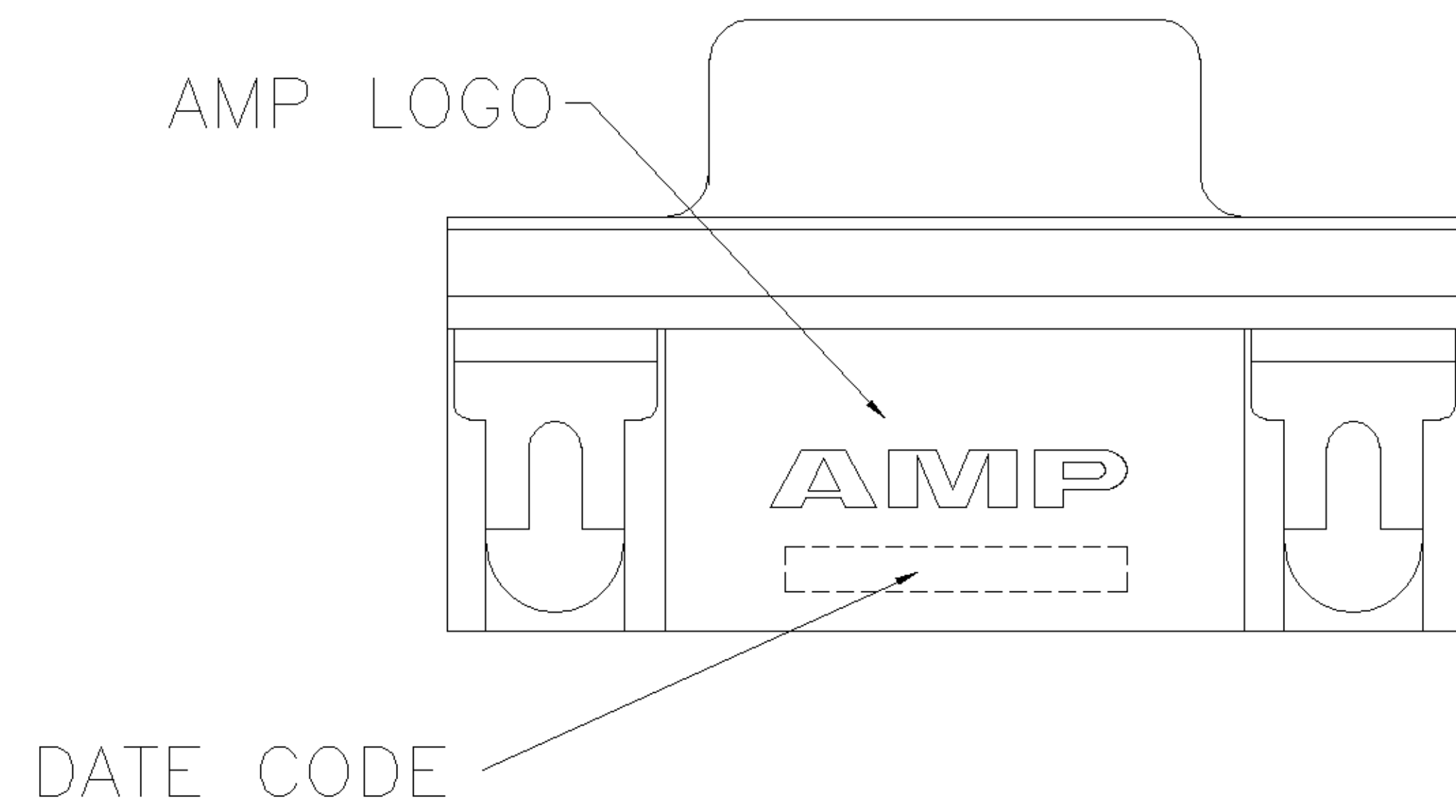
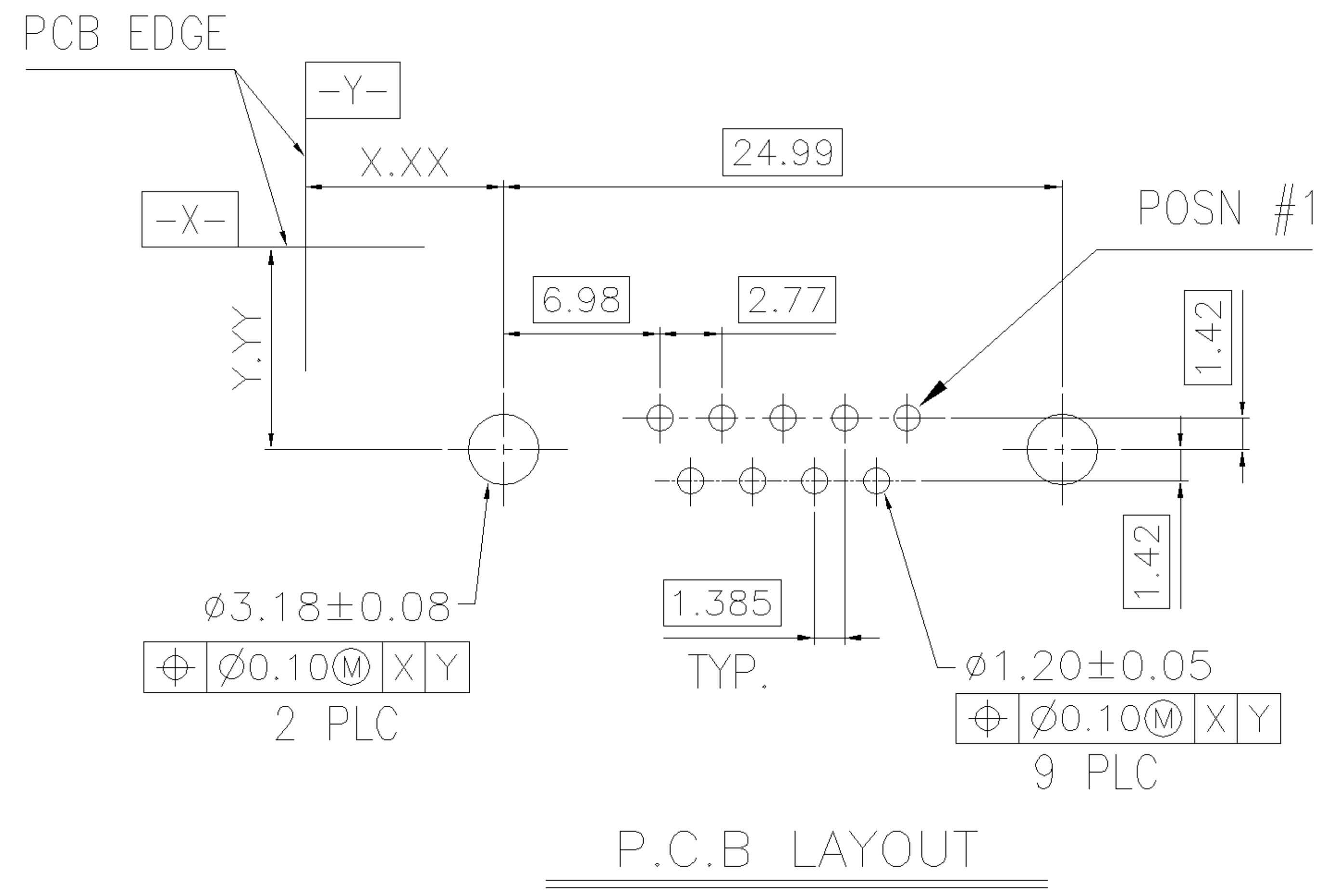
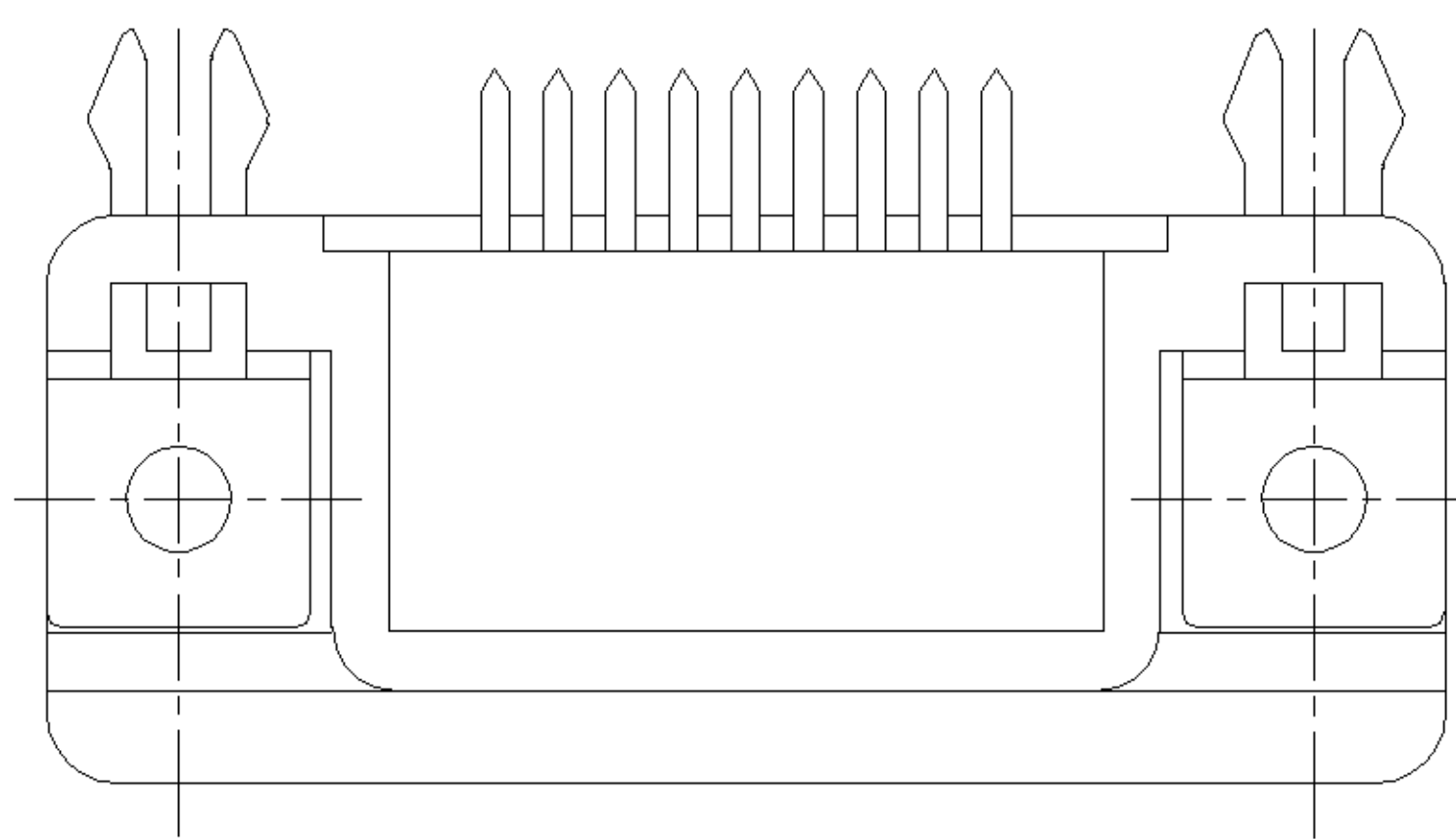
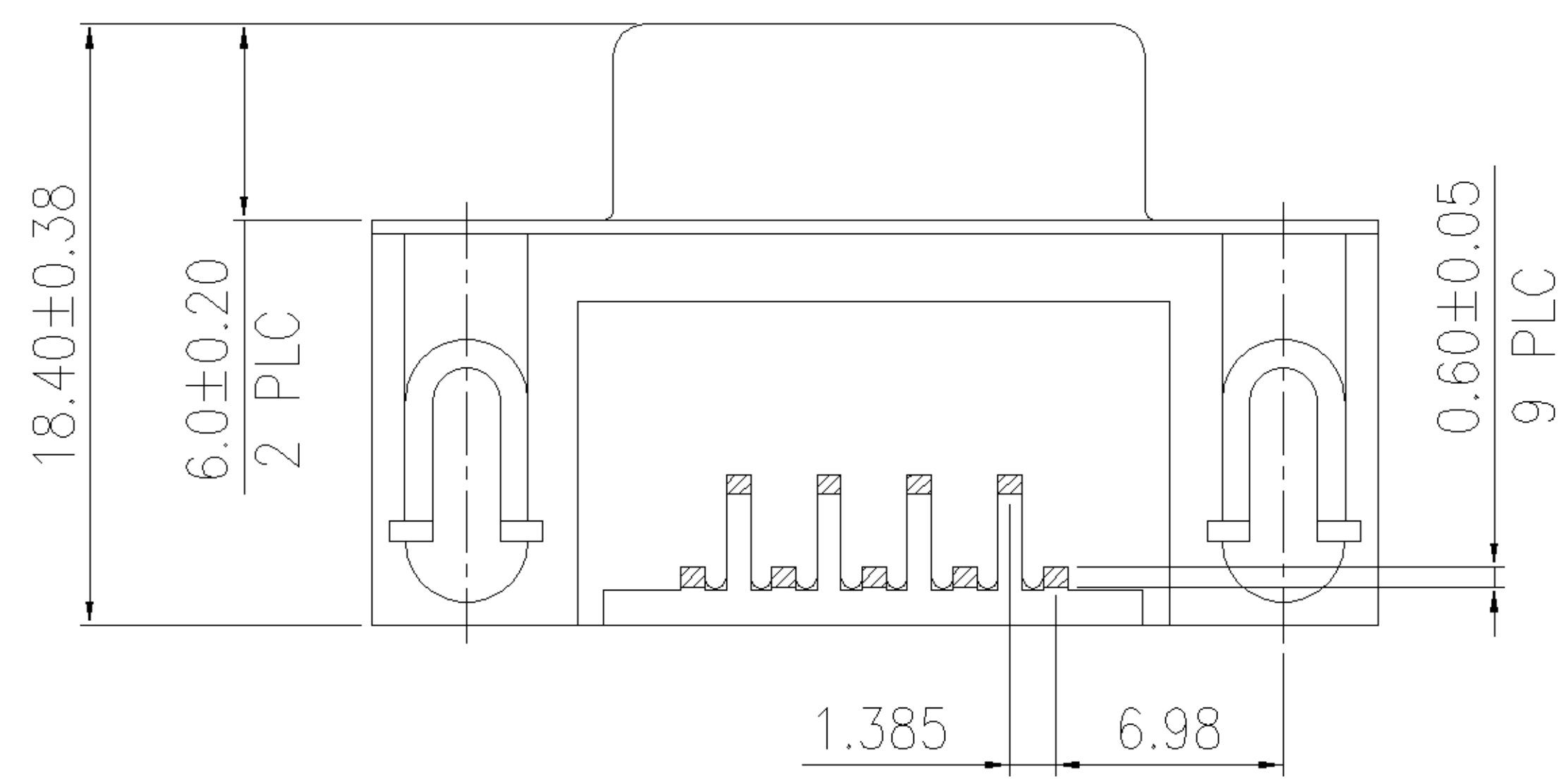
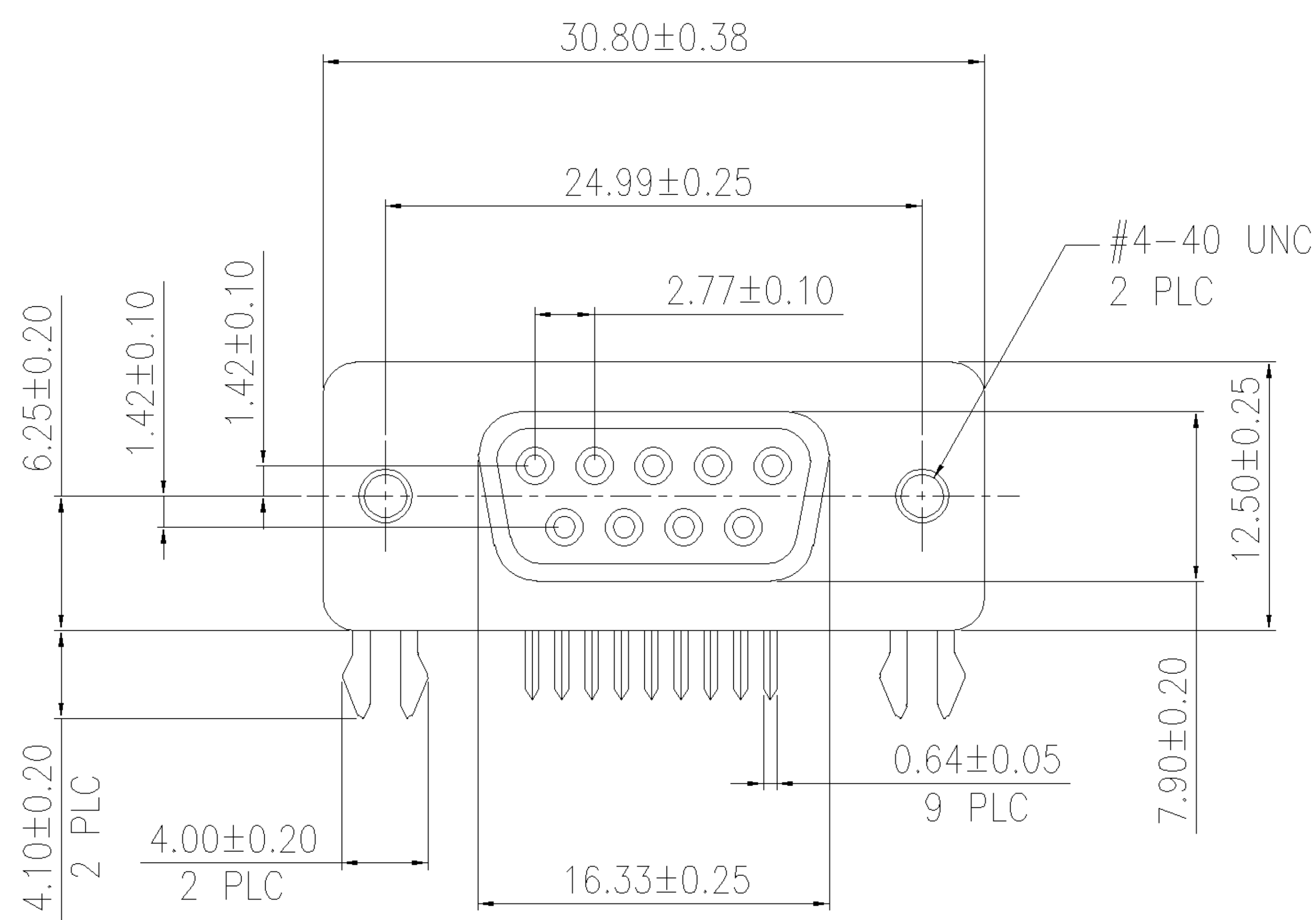
THIS INFORMATION IS CONFIDENTIAL AND IS DISCLOSED TO YOU ON CONDITION THAT NO FURTHER DISCLOSURE IS MADE BY YOU TO OTHER THAN AMP PERSONNEL WITHOUT WRITTEN AUTHORIZATION FROM AMP (TAIWAN) LTD. DIMENSIONS IN MILLIMETERS. DO NOT SCALE PRINT.

PRINT DIST  
DW

3RD ANGLE PROJECTION

METRIC

NUMBER C-1734348



NOTES:

- MATERIAL :
  - HOUSING: THERMOPLASTIC, UL 94V-0 RATED, BLACK
  - CONTACTS: PHOPHOR BRONZE
  - SHELL: SPCC
  - BOARDLOCKS: BRASS
  - RIVET: COPPER ALLOY
- FINISH:
  - CONTACT: GOLD PLATING ON CONTACT AREA. 100u" MIN. MATTE TIN PLATING ON SOLDER TAIL AREA, 50u" MIN. NICKEL UNDERPLATING OVERALL,
  - BOARDLOCK: 100u" MIN. MATTE TIN PLATING 50u" MIN. NICKEL UNDERPLATING OVERALL,
  - SHELL: NICKEL PLATED
  - RIVET: NICKEL PLATING OVERALL
- RECOMMENDED PCB THICKNESS: 1.6 mm
- WAVE SOLDER CAPABLE TO 265°C PER TYCO SPEC. 109-202, CONDITION B.
- THE SCREW TORQUE FORCE APPLIED: 7.0 kgf-cm(6.0 lb-in) MIN.

0	FIRST RELEASED	--	JL	SH	24-OCT 2005
LTR	REVISION RECORD	ECN	DWN	CHK	DATE

TOLERANCES UNLESS OTHERWISE SPECIFIED: 0 PLC ±0.5 1 PLC ±0.3 2 PLC ±0.2 3 PLC ±0.15 ANGLES ±3'	DWN J. LEE 24-OCT-2005	<b>tyco</b> TYCO HOLDINGS (BERMUDA) VII LTD. TAIWAN BRANCH <b>Electronics</b> NAME RECEPTACLE ASSEMBLY, 9 POSN, RIGHT ANGLE, 8.08mm[0.318in] SERIES, AMPLIMITE
SEE NOTE	CHK S. HOU 24-OCT-2005	
FINISH SEE NOTE	APVD W.J. KE 24-OCT-2005	LOC DW
	PRODUCT SPEC 108-57541	SIZE A <sub>3</sub>
	APPLICATION SPEC 501-57623	DRAWING NO C-1734348
	WEIGHT 7.03 GRAMS	SCALE --
		REV O
		SHEET 1 OF 2

15u"	1734348-2
G/F	1734348-1
CONTACT FINISH	PART NO.

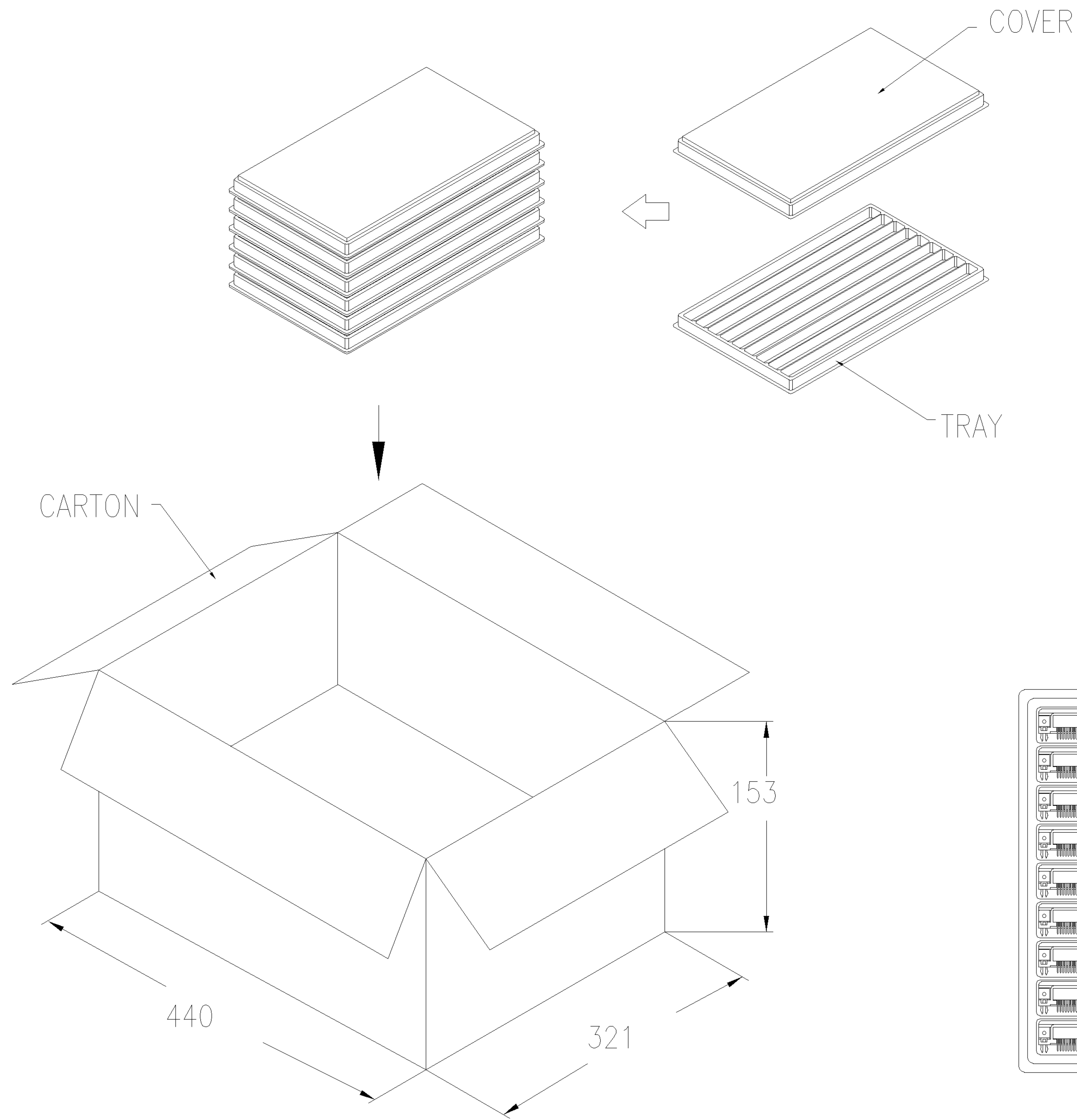
NUMBER  
C-1734348

3RD ANGLE PROJECTION

METRIC

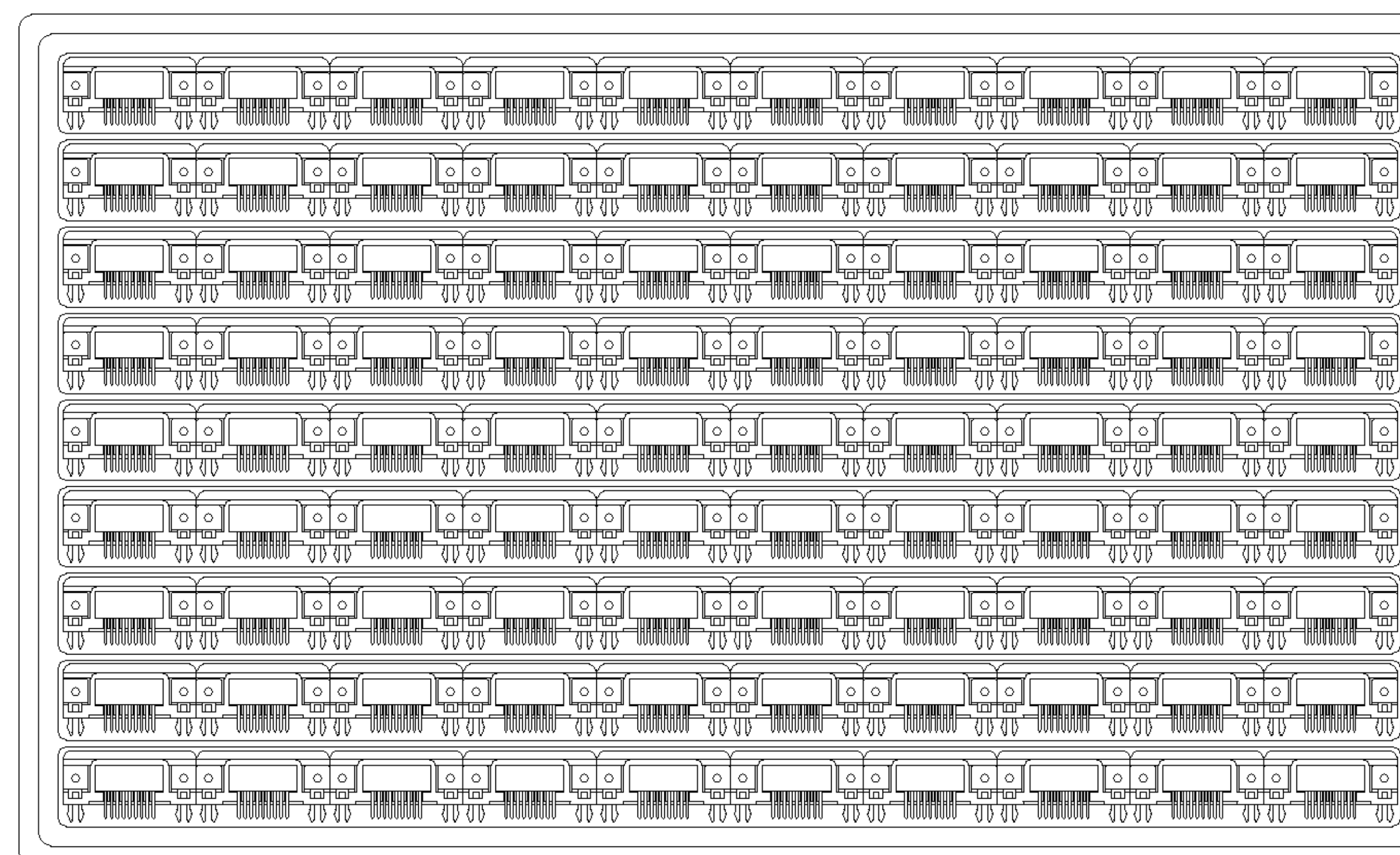
THIS INFORMATION IS CONFIDENTIAL AND IS DISCLOSED TO YOU ON CONDITION THAT NO FURTHER DISCLOSURE IS MADE BY YOU TO OTHER THAN AMP PERSONNEL WITHOUT WRITTEN AUTHORIZATION FROM AMP (TAIWAN) LTD. DO NOT SCALE PRINT.

PRINT DIST  
DW



NOTES:

1. MATERIAL:
  - 1.1 TRAY: PVC
  - 1.2 SHIPPING CARTON: CORRUGATED FIBERBOARD
2. DIMENSION:
  - 2.1 TRAY: L=340, W=228, H=50
  - 2.2 SHIPPING CARTON: L=440, W=321, H=153
3. QUANTITY:
  - 3.1 PRIMARY PACKING: 90 PCS/TRAY
  - 3.2 SECONDARY PACKING: 11 TRAY/CARTON (990PCS)
4. CARTON WEIGHT:
  - 4.1 NET WEIGHT: 6.962 Kg
  - 4.2 GROSS WEIGHT: 7.962 Kg



SEE SHEET 1	--		
LTR	REVISION RECORD	ECN	DWN CHK
			DATE

TOLERANCES UNLESS OTHERWISE SPECIFIED:		DWN	J. LEE	<b>tyco</b> TYCO HOLDINGS (BERMUDA) <b>Electronics</b> VII LTD. TAIWAN BRANCH
0 PLC ±			24-OCT-2005	
1 PLC ±		CHK	S. HOU	NAME RECEPTACLE ASSEMBLY, 9 POSN, RIGHT ANGLE, 8.08mm [0.318in] SERIES, AMPLIMITE
2 PLC ±			24-OCT-2005	
3 PLC ±		MATERIAL	APVD	LOC SIZE DRAWING NO REV DW <b>A</b> <sub>3</sub> C-1734348 O
ANGLES ±		SEE NOTE	W.J. KE 24-OCT-2005	
		FINISH	PRODUCT SPEC	SCALE SHEET -- 2 OF 2
		SEE NOTE	APPLICATION SPEC	
			WEIGHT	