

Würth Elektronik eiSos GmbH & Co. KG

EMC & Inductive Solutions

Max-Eyth-Straße 1 · 74638 Waldenburg · Germany

Tel. +49 (0) 79 42 945-0 · Fax +49 (0) 79 42 945-400

eiSos@we-online.de · www.we-online.de



Product / Process Change Notification (PCN)

- Major change
 Minor change

PCN #: PCN_MPC3_20191010
Affected Series: WE-WR-MPC3
 6620xxx1822; 6620xxx13322
PCN Date: July 10, 2019
Effective Date: October 10, 2019

Change Category:
 Equipment / Location
 General Data
 Material
 Process
 Product Design
 Shipping / Packaging
 Supplier
 Software

Contact: Product Management
Phone: +49 (0) 7942 - 945 5001
Fax: +49 (0) 7942 - 945 5179
E-Mail: pcn.eican@we-online.com

Data Sheet Change:
 Yes No
Attachment:
 Yes No

DESCRIPTION AND PURPOSE OF CHANGE:

Due to external influences, Würth Elektronik will change his plastic raw material supplier. The plastic material will still be PA66.

All products with date code 2019-07-01 or later, will be affected by this change.

There will be no change in function, quality or reliability of the product.

DETAIL OF CHANGE:

The plastic material will still be PA66. However the material behavior is slightly different during the production process and as Würth Elektronik will keep the current molds the parts tolerances dimensions will slightly change.

Due to raw plastic material supplier change Würth Elektronik is currently updating the UL certification related to the involved parts. The parts with date code after 2019-06-30 are not UL certified until the UL update. The UL should be updated by the end of November 2019. You will be informed when the certification will be up to date. Sorry for the inconvenience caused.

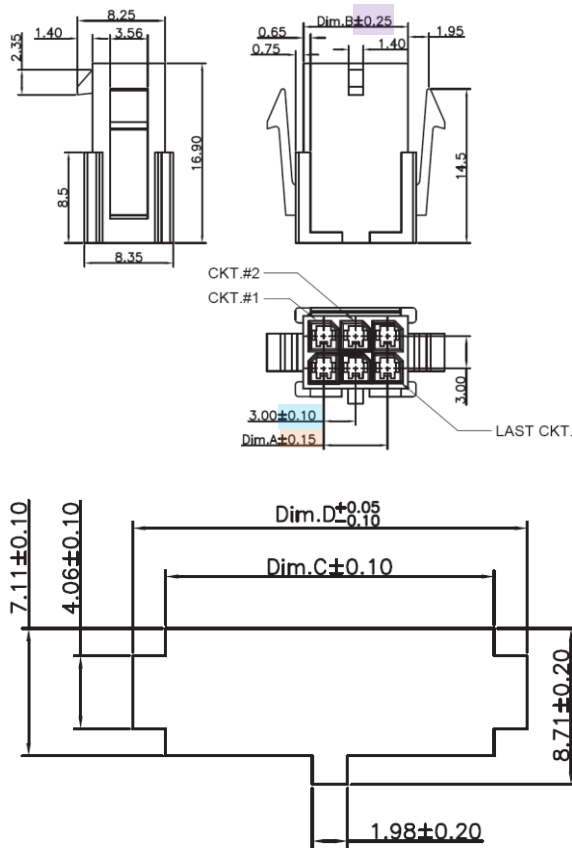
Please find on the following pages the parts dimensions and their recommended layout after change.

Würth Elektronik eiSos GmbH & Co. KG
 EMC & Inductive Solutions
 Max-Eyth-Straße 1 · 74638 Waldenburg · Germany
 Tel. +49(0)79 42 945-0 · Fax +49(0)79 42 945-400
 eiSos@we-online.de · www.we-online.de



662 0xx 218 22

Before

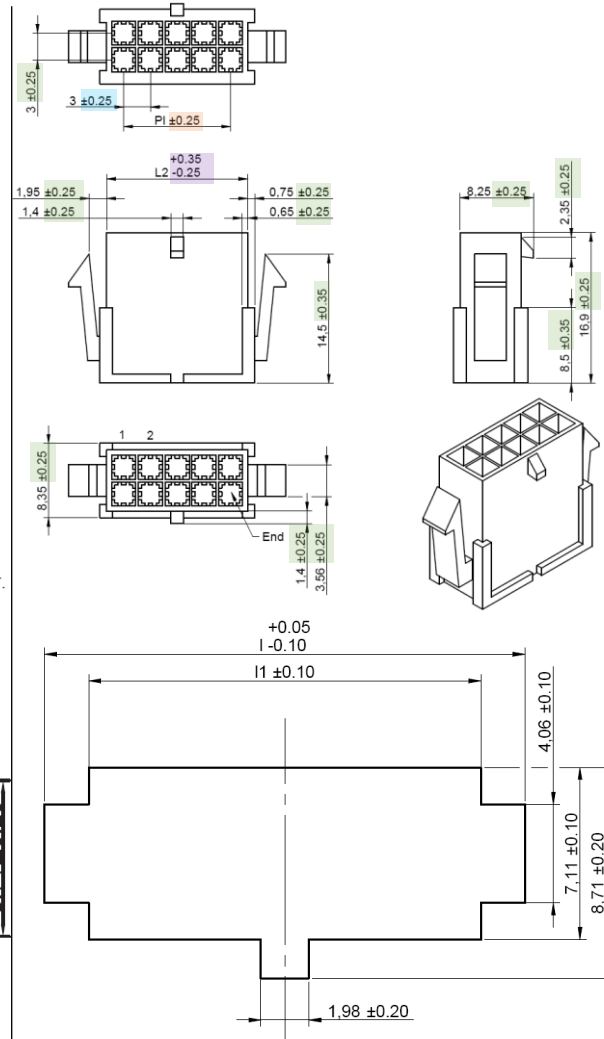


RECOMMENDED PANEL CUT-OUT
RECOMMENDED THICKNESS: 1.4–2.54mm

GENERAL TOLERANCE

.X = +/- 0.2
 .XX = +/- 0.15

After



Panel Cut - Thickness: 1.4 - 2.54mm

Würth Elektronik eiSos GmbH & Co. KG

EMC & Inductive Solutions

Max-Eyth-Straße 1 · 74638 Waldenburg · Germany

Tel. +49 (0) 79 42 945-0 · Fax +49 (0) 79 42 945-400

eiSos@we-online.de · www.we-online.de



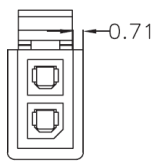
662 002 113 322 & 662 004 113 322

Before

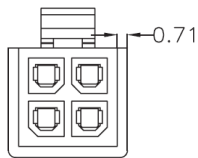
After

GENERAL TOLERANCE

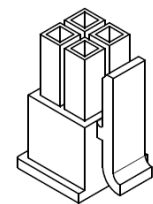
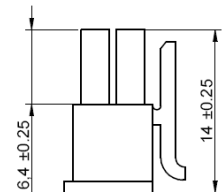
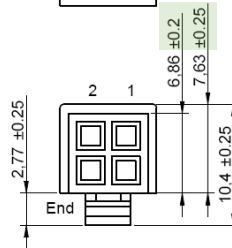
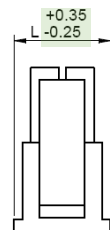
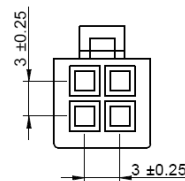
.X = ± 0.2
.XX = ± 0.15



2Pin



4Pin



Würth Elektronik eiSos GmbH & Co. KG

EMC & Inductive Solutions

Max-Eyth-Straße 1 · 74638 Waldenburg · Germany

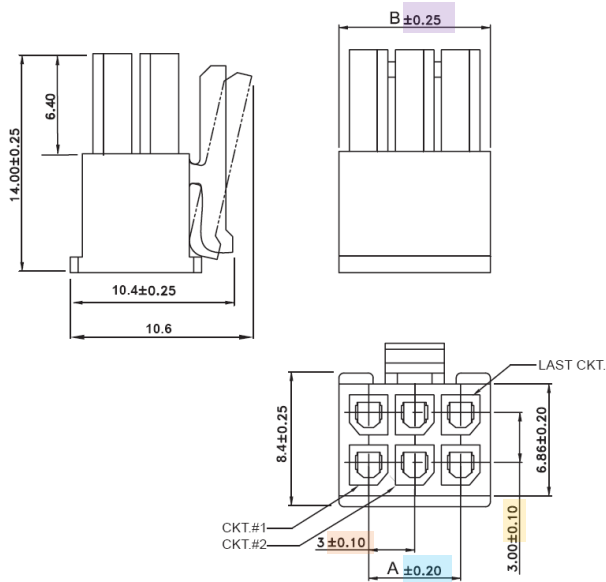
Tel. +49 (0) 79 42 945-0 · Fax +49 (0) 79 42 945-400

eiSos@we-online.de · www.we-online.de



662 0xx 113 322

Before

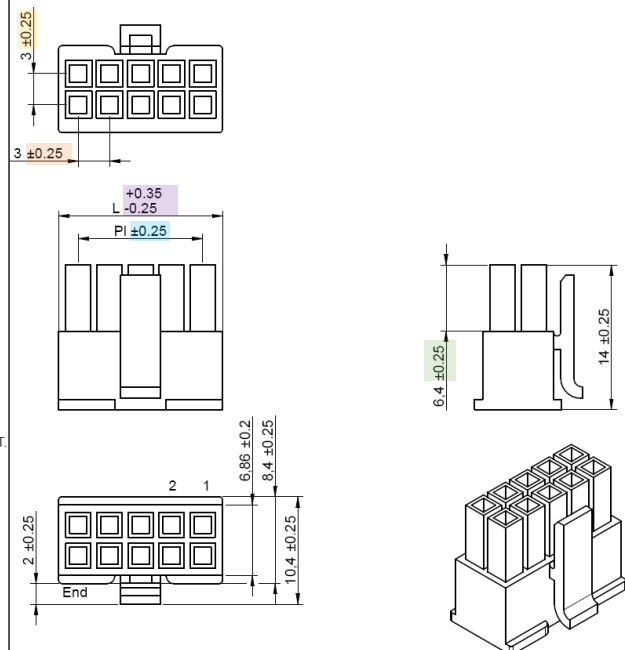


GENERAL TOLERANCE

.X = ± 0.2

.XX = ± 0.15

After



Würth Elektronik eiSos GmbH & Co. KG

EMC & Inductive Solutions

Max-Eyth-Straße 1 · 74638 Waldenburg · Germany

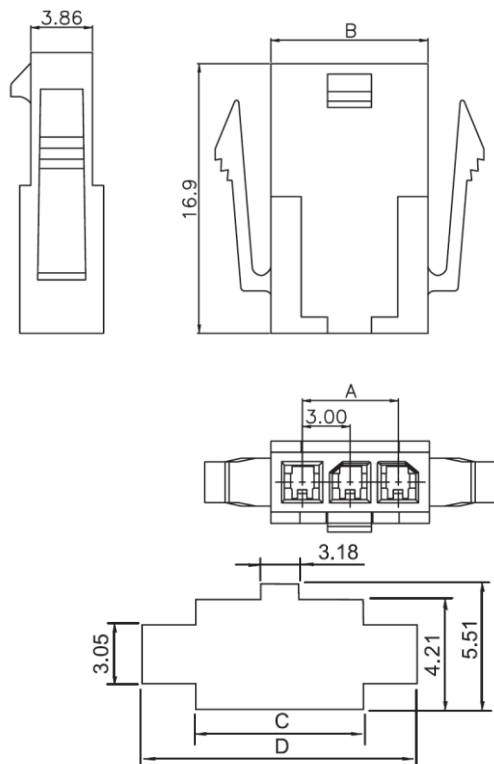
Tel. +49(0)79 42 945-0 · Fax +49(0)79 42 945-400

eiSos@we-online.de · www.we-online.de



662 0xx 118 22

Before



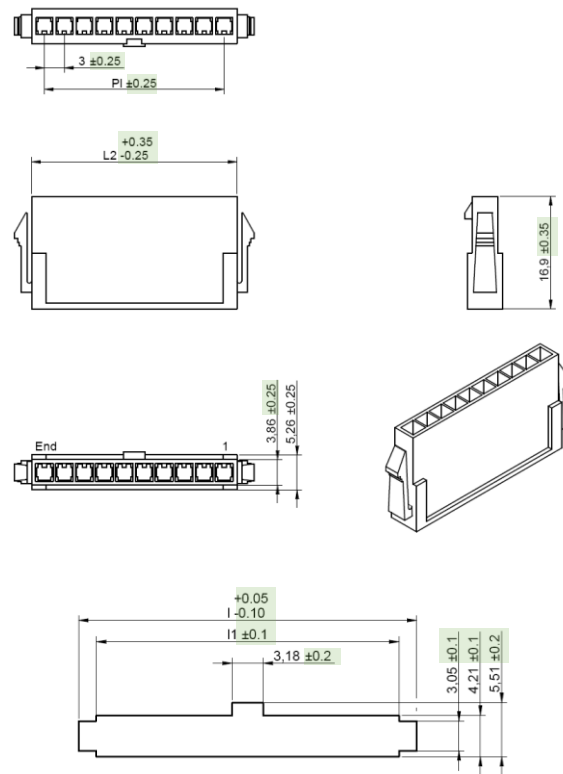
Recommended Panel Cut-out Thickness = 1,95 ±0,25

GENERAL TOLERANCE

.X = +/- 0.2

.XX = +/- 0.15

After



Panel Cut - Thickness: 1,4 - 2,54mm

Würth Elektronik eiSos GmbH & Co. KG
 EMC & Inductive Solutions
 Max-Eyth-Straße 1 · 74638 Waldenburg · Germany
 Tel. +49 (0) 79 42 945-0 · Fax +49 (0) 79 42 945-400
 eiSos@we-online.de · www.we-online.de

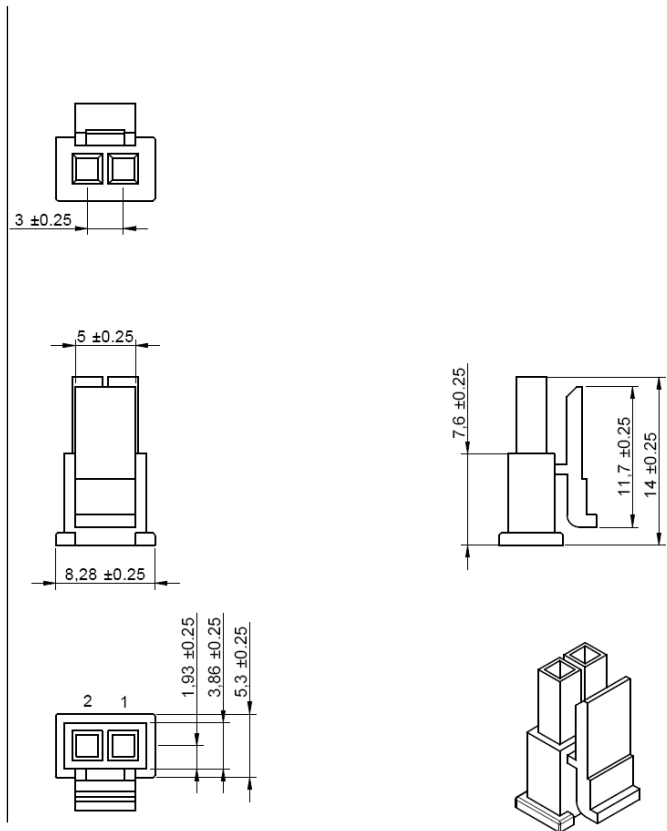


662 002 013 322

Before

After

The specific datasheet for polarity 2 was missing but the design was the same



Würth Elektronik eiSos GmbH & Co. KG

EMC & Inductive Solutions

Max-Eyth-Straße 1 · 74638 Waldenburg · Germany

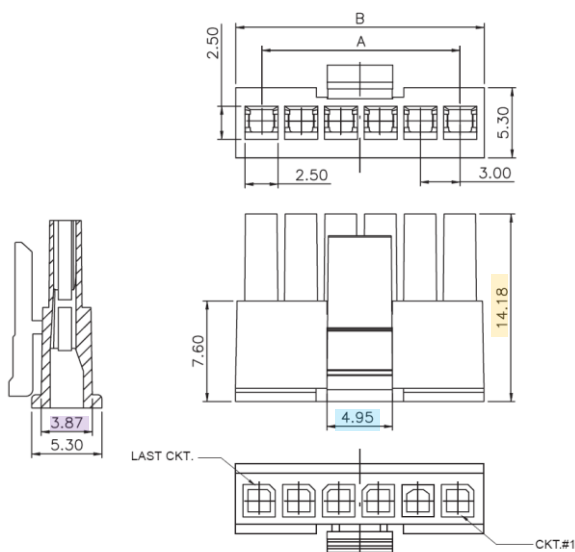
Tel. +49(0)79 42 945-0 · Fax +49(0)79 42 945-400

eiSos@we-online.de · www.we-online.de



662 0xx 013 322

Before

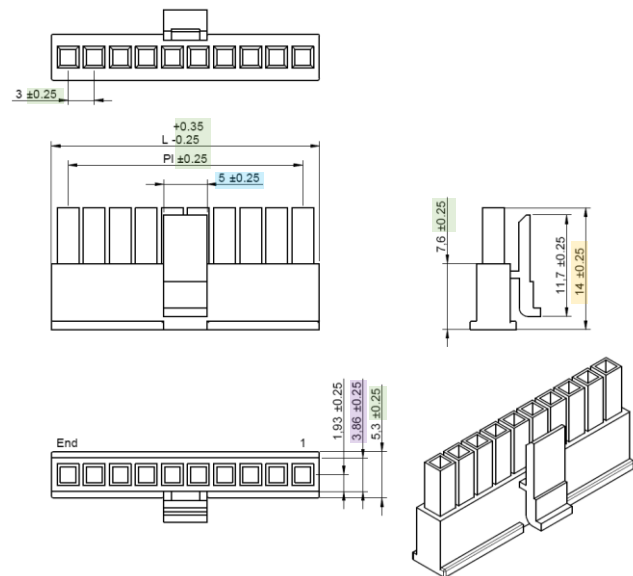


GENERAL TOLERANCE

$$.X = \pm 0.2$$

$$.XX = \pm 0.15$$

After



RELIABILITY / QUALIFICATION SUMMARY:

Product approval is according to the specification and is internally released by the Product Management Department.