



Features:

- The glass passivation process offers improvements to reliability at high operating temperatures, moisture resistance capability and overall durability
- Integrally moulded heatsink provided very low thermal resistance for maximum heat dissipation
- Universal 4-way terminals; snap-on, wrap-around, solder or P.C. board mounting
- Surge overload rating 400A
- Terminals solderable per MIL-STD-202, Method 208
- Typical IR less than 0.2uA
- High temperature soldering guaranteed: 260°C/10 seconds/0.375" (9.5mm) lead lengths
- Isolated voltage from case to lead over 2,500V

Maximum Ratings and Electrical Characteristics:

Rating at 25°C ambient temperature unless otherwise specified.

Single phase, half wave, 60Hz, resistive or inductive load.

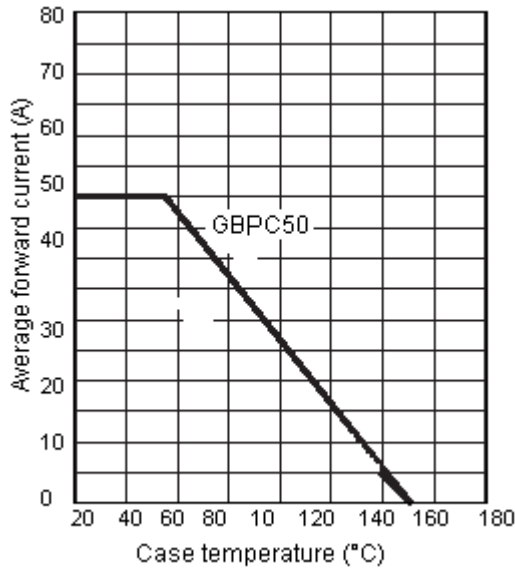
For capacitive load, derate current by 20%.

Characteristics	Symbol	Values	Unit
Maximum Recurrent Peak Reverse Voltage	V_{RRM}	50	V
Maximum RMS Voltage	V_{RMS}	35	
Maximum DC Blocking Voltage	V_{DC}	50	
Maximum Average Forward Rectified Current at TC = 55°C GBPC50	$I_{(AV)}$	50	A
Peak Forward Surge Current, Single Sine-wave Superimposed on Rated Load (JEDEC method) GBPC50	I_{FSM}	400	
Maximum Instantaneous Forward Voltage Drop Per Element at Specified Current GBPC50 at 25A	V_F	1.1	V
Maximum DC Reverse Current at Rated DC Blocking Voltage Per Element	I_R	10	μA
Typical Thermal Resistance (Note 1)	$R_{\theta JC}$	1.5	$^{\circ}C/W$
Operating and Storage Temperature Range	T_J, T_{STG}	-50 to +150	$^{\circ}C$

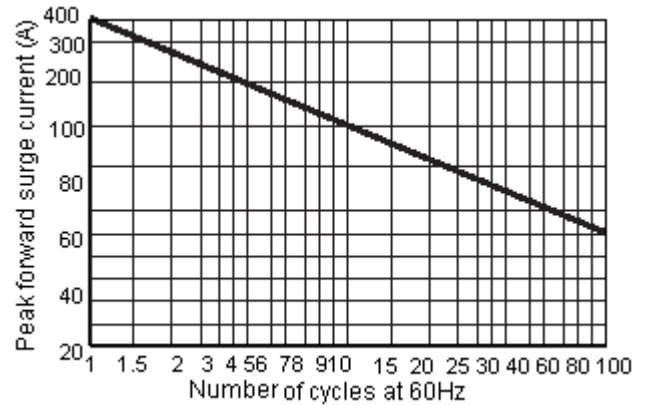
Note: 1. Thermal Resistance from Junction to Case

Ratings and Characteristic Curves

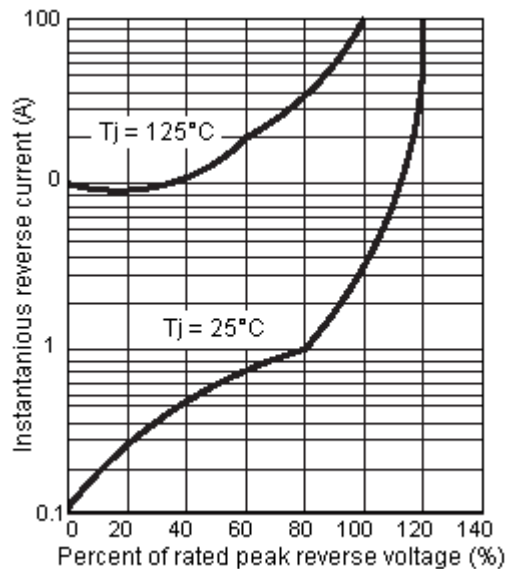
Maximum Forward Current Derating Curve



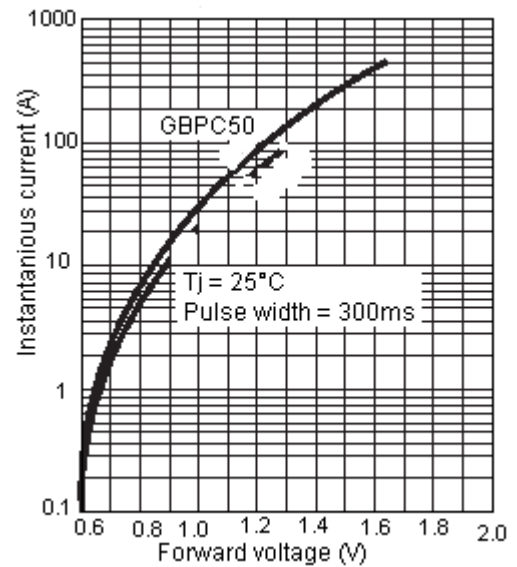
Maximum Non-Repetitive Forward Surge Current



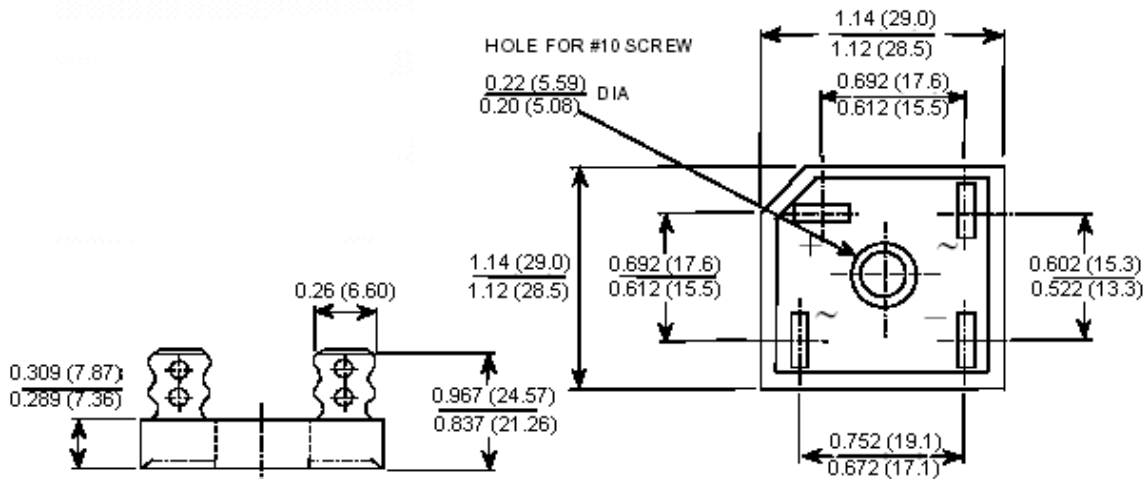
Typical Reverse Characteristics per Bridge Element



Typical Forward Characteristics per Bridge Element



Dimensions:



Dimensions : Inches (Millimetres)

Part Number Table

Description	V _{RRM} (V)	Maximum Input Voltage (V AC)	I _o at 55°C (A)	I _{FSM} (A)	Part Number
Single Phase Bridge Rectifier	50	35	50	400	GBPC50005+

Important Notice : This data sheet and its contents (the "Information") belong to the members of the AVNET group of companies (the "Group") or are licensed to it. No licence is granted for the use of it other than for information purposes in connection with the products to which it relates. No licence of any intellectual property rights is granted. The Information is subject to change without notice and replaces all data sheets previously supplied. The Information supplied is believed to be accurate but the Group assumes no responsibility for its accuracy or completeness, any error in or omission from it or for any use made of it. Users of this data sheet should check for themselves the Information and the suitability of the products for their purpose and not make any assumptions based on information included or omitted. Liability for loss or damage resulting from any reliance on the Information or use of it (including liability resulting from negligence or where the Group was aware of the possibility of such loss or damage arising) is excluded. This will not operate to limit or restrict the Group's liability for death or personal injury resulting from its negligence. Multicomp Pro is the registered trademark of Premier Farnell Limited 2019.