



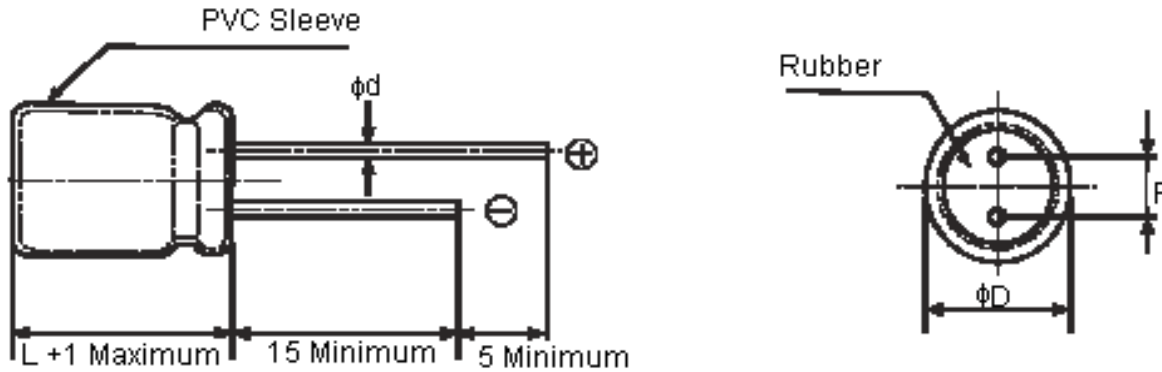
### Features:

- Ultra miniature radial electrolytic capacitors
- Developed short body length to 7mm, for the demand of smaller and thinner electronic equipment
- Most suitable for high-density electronic equipment, such as: automatic office machines, pocket calculators, car stereos and mini audio sets, VCR, camera, CD-ROM, notebook, etc

### Specifications:

Item	Performance																								
Operating temperature range	-40°C to +85°C																								
Rated working voltage range	6.3 - 63V DC																								
Nominal capacitance range	0.1 - 470μF																								
Capacitance tolerance	±20% (at +20°C, 120Hz)																								
Leakage current	I = 0.01CV or 3μA after two minutes																								
Dissipation factor (tan δ) (120Hz/+20°C)	<table border="1"> <tr> <td>Working Voltage (V)</td> <td>6.3</td> <td>10</td> <td>16</td> <td>25</td> <td>35</td> <td>50</td> <td>63</td> </tr> <tr> <td>Tan δ Maximum</td> <td>0.24</td> <td>0.2</td> <td>0.16</td> <td>0.14</td> <td>0.12</td> <td>0.1</td> <td>0.08</td> </tr> </table>	Working Voltage (V)	6.3	10	16	25	35	50	63	Tan δ Maximum	0.24	0.2	0.16	0.14	0.12	0.1	0.08								
	Working Voltage (V)	6.3	10	16	25	35	50	63																	
Tan δ Maximum	0.24	0.2	0.16	0.14	0.12	0.1	0.08																		
Characteristics at low temperature (stability at 120Hz)	<table border="1"> <tr> <td>Working Voltage (V)</td> <td>6.3</td> <td>10</td> <td>16</td> <td>25</td> <td>35</td> <td>50</td> <td>63</td> </tr> <tr> <td>-25°C/+20°C</td> <td>4</td> <td>3</td> <td>2</td> <td>2</td> <td>2</td> <td>2</td> <td>2</td> </tr> <tr> <td>-40°C/+20°C</td> <td>8</td> <td>6</td> <td>4</td> <td>4</td> <td>3</td> <td>3</td> <td>3</td> </tr> </table>	Working Voltage (V)	6.3	10	16	25	35	50	63	-25°C/+20°C	4	3	2	2	2	2	2	-40°C/+20°C	8	6	4	4	3	3	3
	Working Voltage (V)	6.3	10	16	25	35	50	63																	
	-25°C/+20°C	4	3	2	2	2	2	2																	
-40°C/+20°C	8	6	4	4	3	3	3																		
High temperature loading	<p>After 1000 hours application of DC rated working voltage at +85°C, The capacitor shall meet the following limits: Post test requirements at +20°C.</p> <table border="1"> <tr> <td>Leakage Current</td> <td>≤ the initial specified value</td> </tr> <tr> <td>Capacitance Change</td> <td>≤ ±20% of initial measured value</td> </tr> <tr> <td>Dissipation Factor (tan δ)</td> <td>≤ 200% of initial specified value</td> </tr> </table>	Leakage Current	≤ the initial specified value	Capacitance Change	≤ ±20% of initial measured value	Dissipation Factor (tan δ)	≤ 200% of initial specified value																		
Leakage Current	≤ the initial specified value																								
Capacitance Change	≤ ±20% of initial measured value																								
Dissipation Factor (tan δ)	≤ 200% of initial specified value																								
Shelf life	After storage for 500 hours at +85°C with no voltage applied. Post test requirements at +20°C. Same limits as high temperature loading.																								
Solvent proof	This capacitor can withstand circuit-board cleaning within 5 minutes dipped in Freon TE, TES, at 40°C (ultrasonic also permitted) or in the steam of these cleaners.																								

## Diagram of Dimensions



<b>Dφ (+0.5 Max.)</b>	3	4	5	6.3	8
<b>F (±0.5)</b>	1	1.5	2	2.5	3.5
<b>dφ (±0.02)</b>	0.4	0.45	0.45	0.45	0.5

Dimensions : Millimetres

## Case Size Table: MR series

W.V (S.V) μF	φD × L						
	6.3 (8)	10 (13)	16 (20)	25 (32)	35 (44)	50 (63)	63 (79)
0.1	-	-	-	-	-	-	-
0.22	-	-	-	-	-	-	-
0.33	-	-	-	-	-	-	-
0.47	-	-	-	-	-	-	-
1.0	-	-	-	-	-	-	4 × 7
2.2	-	-	-	-	-	-	4 × 7
3.3	-	-	-	-	-	-	-
4.7	-	-	-	-	-	-	-
10	-	-	-	4 × 7	4 × 7	-	-
22	-	-	4 × 7	-	-	-	-
33	-	-	-	-	-	-	-
47	4 × 7	4 × 7	5 × 7	6.3 × 7	6.3 × 7	-	5 × 7
100	6.3 × 7	5 × 7	6.3 × 7	-	-	-	-
220	8 × 7	6.3 × 7	-	-	-	-	-
330	-	-	-	-	-	-	-
470	-	-	-	-	-	-	-

Dimensions : Millimetres

## Part Number Table

Working Voltage (V)	Capacitance (µF)	Ripple Current (A)	Lead Diameter	Lead Pitch	Part Number
6.3	47	50	0.45	2	MCMR6V3476M5X7
	100	77		2.5	MCMR6V3107M6.3X7
	220	130	0.5	3.5	MCMR6V3227M8X7
10	33	43	0.45	1.5	MCMR10V476M4X7
	100	87		2	MCMR10V107M5X7
	220	145		2.5	MCMR10V227M6.3X7
16	22	180		1.5	MCMR16V226M4X7
	47	65		2	MCMR16V476M5X7
	100	98		2.5	MCMR16V107M6.3X7
25	10	28		1.5	MCMR25V106M4X7
	47	71		2.5	MCMR25V476M6.3X7
35	10	31		1.5	MCMR35V106M4X7
	47	73		2.5	MCMR35V476M6.3X7
63	1	13	1.45	1.5	MCMR63V105M4X7
	4.7	32.4	0.45	2	MCMR63V475M5X7

Dimensions : Millimetres

**Important Notice :** This data sheet and its contents (the "Information") belong to the members of the AVNET group of companies (the "Group") or are licensed to it. No licence is granted for the use of it other than for information purposes in connection with the products to which it relates. No licence of any intellectual property rights is granted. The Information is subject to change without notice and replaces all data sheets previously supplied. The Information supplied is believed to be accurate but the Group assumes no responsibility for its accuracy or completeness, any error in or omission from it or for any use made of it. Users of this data sheet should check for themselves the Information and the suitability of the products for their purpose and not make any assumptions based on information included or omitted. Liability for loss or damage resulting from any reliance on the Information or use of it (including liability resulting from negligence or where the Group was aware of the possibility of such loss or damage arising) is excluded. This will not operate to limit or restrict the Group's liability for death or personal injury resulting from its negligence. Multicomp Pro is the registered trademark of Premier Farnell Limited 2019.