

# AB-AV-1602 IP65 ANTI-VANDAL PUSH BUTTON

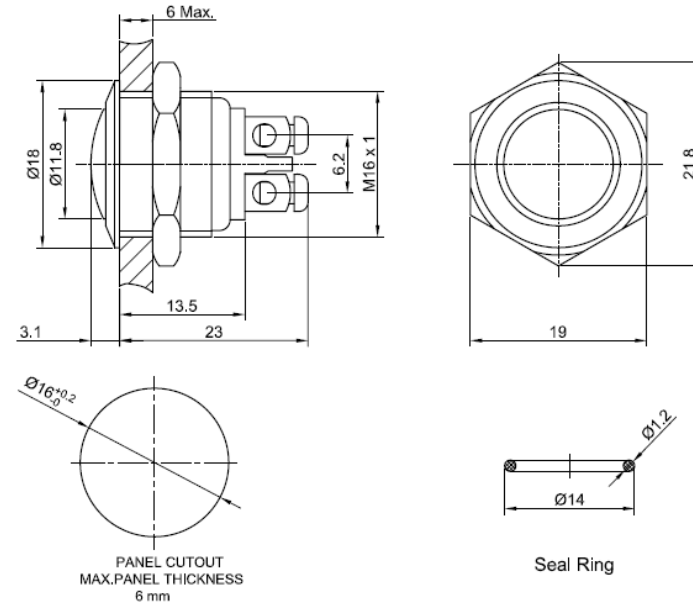
SWITCHES

## Specifications

### AB-AV-1602

Terminal type	Screw terminals
Actuator Shape	Domed
Switching	1NO Momentary
Panel cut out	16mm
Switch rating	2A/36VDC
Contact resistance	≤50MΩ
Insulation resistance	≥1000MΩ
Dielectric strength	2000V RMS 50Hz
Operating temperature	-25°C~+55°C
Mechanical life	1,000,000 cycles
Electrical life	200,000 cycles
Panel thickness	1~6mm
Torque	0.6Nm Max
Operation pressure	4N approx
Operation travel	1.5mm approx
IP degree	IP65
Material: Contact	Silver alloy
Button/Body	Stainless steel
Base	PBT

ROHS Compliant



Dimensions Unit: mm



ALAN BUTCHER COMPONENTS LTD

**Alan Butcher Components Ltd**

Unit 1 Beechwood Clump Farm Industrial Estate Tin Pot Lane Blandford Dorset DT11 7TD

Telephone 01258 456360 Facsimile 01258 459194 Email [sales@abcomponents.co.uk](mailto:sales@abcomponents.co.uk)

[www.abcomponents.co.uk](http://www.abcomponents.co.uk)