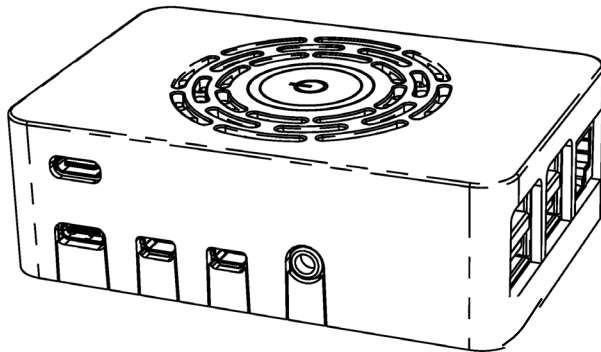


# multicomp PRO



## **Pi-4 Touch-Screen Case Assembly and Quick Start Guide**

## IMPORTANT SAFETY INFORMATION

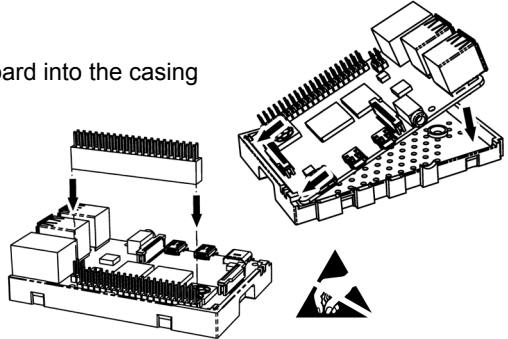
When using electronic components basic safety precautions should always be followed.



**WARNING:** This is an electrostatic sensitive device, take precautions to ground yourself during the assembly procedure.

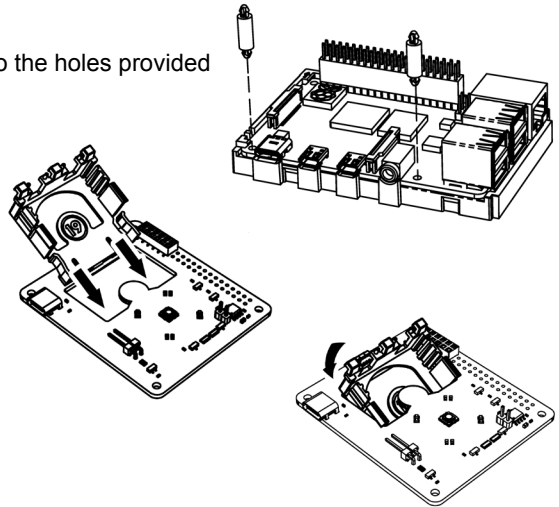
## ASSEMBLY

1. Insert the Pi (not included) main board into the casing lower part as shown.



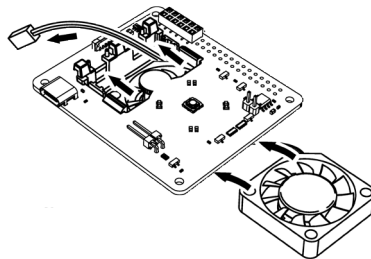
2. Connect the riser to the header connector pins.

3. Clip the two support pillars into the holes provided on the Pi main board.

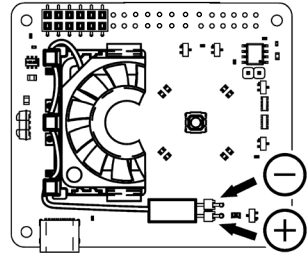


4. Slide the cooling fan mounting through the cut out in the PCB so it sits flush.

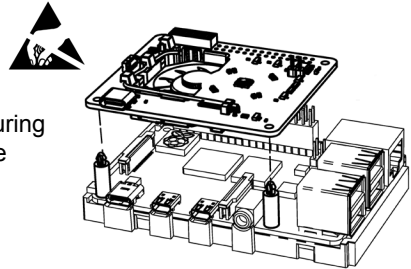
5. Insert the cooling fan into the mounting feeding the connection wire through first.



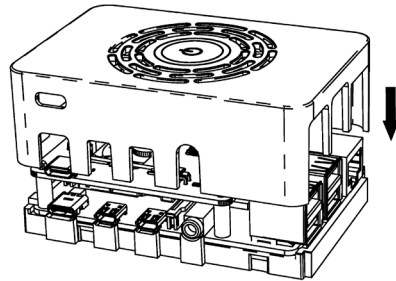
6. Route the wire neatly under the lugs on the fan support and connect the fan wiring to the two pin header on the PCB noting the polarity as shown.



7. Clip the PCB onto the mounting pillars ensuring the riser pins locate through the holes in the board.



8. Lower the upper casing over the assembly until it snaps into place.



## INSTALLATION

**Note:** Make sure you have followed the Raspberry Pi foundation's instruction to install the latest OS to your SD card. Here is the latest download page from Raspberry Pi:

<https://www.raspberrypi.org/downloads/noobs/>

A guide is available here:

<https://www.raspberrypi.org/help/videos/#noobs-setup>

Once the OS is installed you should confirm it's up to date. To do this Open terminal on Pi and type: **sudo apt update**

This should update your OS to the latest revision. Reboot your Pi.

Once restarted again open terminal and type the following:

**sudo nano /boot/config.txt**

Now add the following two lines to the bottom of the config.txt file:

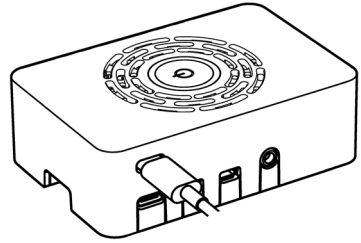
**dtoverlay=gpio-poweroff,gpiopin=18,active\_low=0**

**dtoverlay=gpio-shutdown,gpio\_pin=17,active\_low=1,gpio\_pull=up**

Save the file and reboot.

## OPERATION

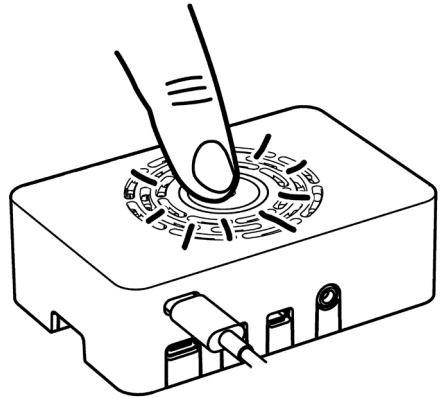
**Note:** The upper USB socket must be used to connect the Power Supply to the Pi.  
If the lower socket is used the push button startup/shutdown will not function.



To start your Pi:  
Press the STAND-BY button > 1 sec.  
LED ring goes GREEN.

To Shut down:  
Press the STAND-BY button > 3 sec.  
LED ring flashes RED.

Forced Shut down:  
Press the STAND-BY button > 10 sec.  
LED ring flashes RED.



### INFORMATION ON WASTE DISPOSAL FOR CONSUMERS OF ELECTRICAL & ELECTRONIC EQUIPMENT.

When this product has reached the end of its life it must be treated as Waste Electrical & Electronics Equipment (WEEE). Any WEEE marked products must not be mixed with general household waste, but kept separate for the treatment, recovery and recycling of the materials used. Contact your local authority for details of recycling schemes in your area.



Made in the UK. LS12 2QQ

Man Rev 1.0