

Würth Elektronik eiSos GmbH &amp; Co. KG

EMC &amp; Inductive Solutions

Max-Eyth-Straße 1 · 74638 Waldenburg · Germany

Tel. +49 (0) 79 42 945-0 · Fax +49 (0) 79 42 945-400

eiSos@we-online.de · www.we-online.de



## Product / Process Change Notification (PCN)

- Major change  
 Minor change

**PCN #:** PCN\_IndFC\_20191101

**Affected Series:** WE-FC-Series

**PCN Date:** August 12, 2019

**Effective Date:** November 01, 2019

### Change Category:

- Equipment / Location  
 General Data  
 Material  
 Process  
 Product Design  
 Shipping / Packaging  
 Supplier  
 Software

**Contact:** Product Management

**Phone:** +49 (0) 7942 - 945 5001

**Fax:** +49 (0) 7942 - 945 5179

**E-Mail:** pcn.eisos@we-online.com

### Data Sheet Change:

- Yes  No

### Attachment:

- Yes  No

### DESCRIPTION AND PURPOSE OF CHANGE:

Due to an adaptation of a repetition of the reliability test of the parts according the international recommendations AECQ-200 table 5 and the implementation of new measurement methods Würth Elektronik will update the datasheets of the whole WE-FC series.

All products with date code 2019-11-01 or later, will be affected by this change.

There will be no change in form, fit, function, quality or reliability of the product.

### Affected part numbers:

#### Size ET

7448640395, 7448640396, 7448640397, 7448640398, 7448640399, 7448640400, 7448640401,  
7448640402, 7448640403, 7448640404, 7448640405

#### Size UT

7448640406, 7448640407, 7448640408, 7448640409, 7448640410, 7448640411, 7448640412,  
7448640413, 7448640414, 7448640415, 7448640416, 7448640417, 7448640418

Würth Elektronik eiSos GmbH & Co. KG

EMC & Inductive Solutions

Max-Eyth-Straße 1 · 74638 Waldenburg · Germany

Tel. +49 (0) 79 42 945-0 · Fax +49 (0) 79 42 945-400

eiSos@we-online.de · www.we-online.de

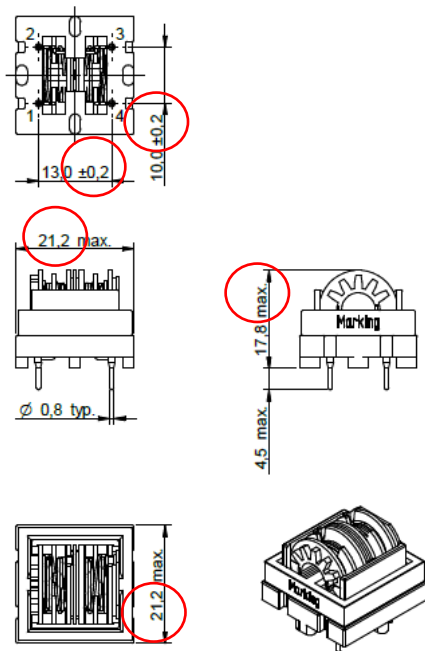


**DETAIL OF CHANGE:**

**1. Update the mechanical dimensions (no change of the part)**

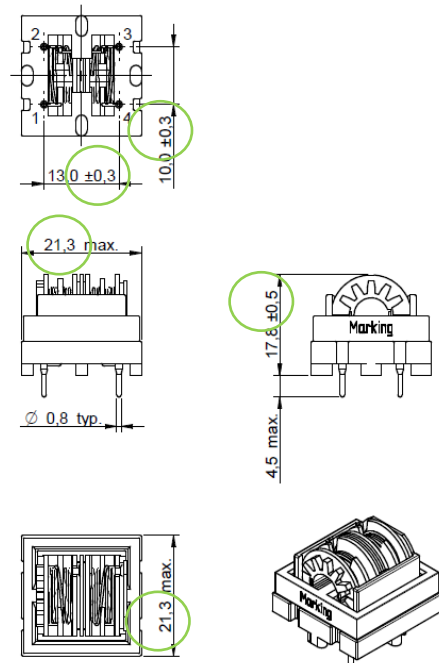
Size ET

Before Change



Scale - 1:1

After Change



Scale - 1:1

Würth Elektronik eiSos GmbH & Co. KG

EMC & Inductive Solutions

Max-Eyth-Straße 1 · 74638 Waldenburg · Germany

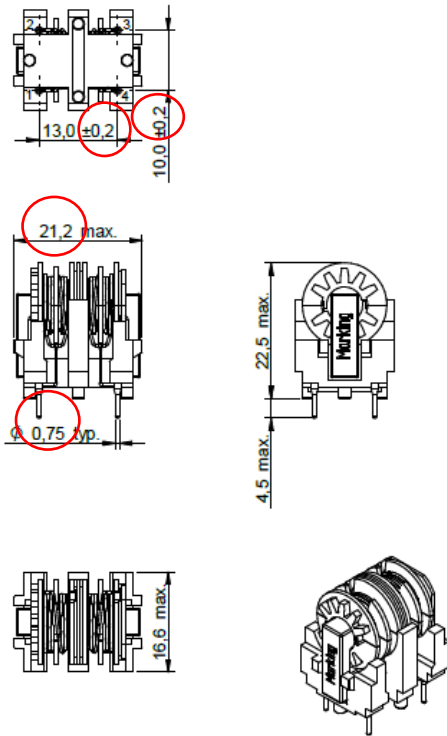
Tel. +49(0)79 42 945-0 · Fax +49(0)79 42 945-400

eiSos@we-online.de · www.we-online.de



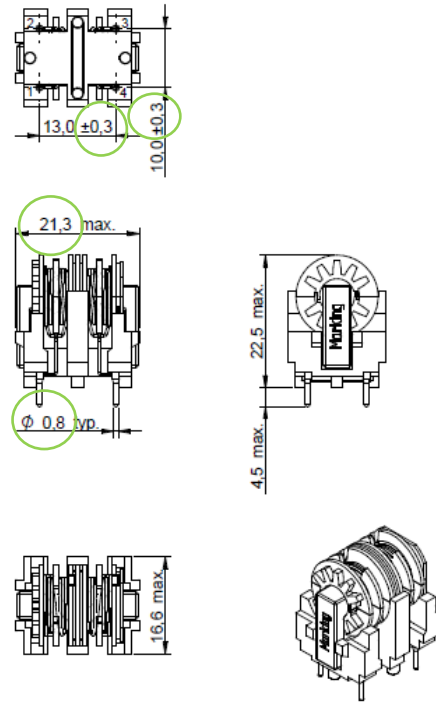
### Size UT

#### Before Change



Scale - 1:1

#### After Change

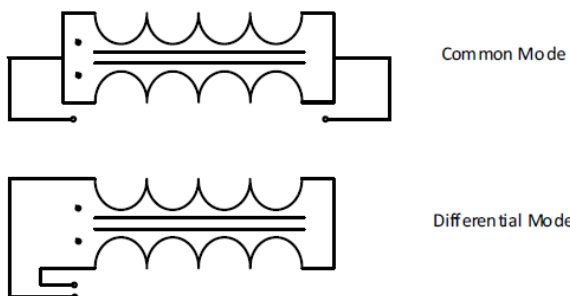


Scale - 1:1

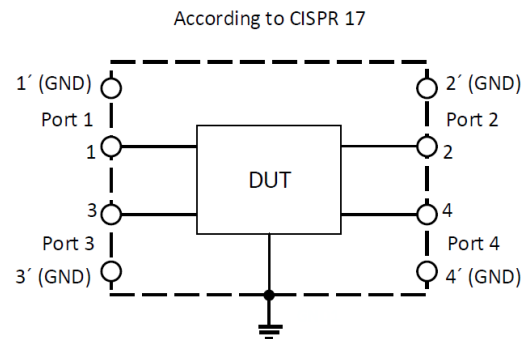
## 2. Change of the Test Setup from 2 Port to 4 Port

### Size ET and UT

#### Before Change



#### After Change



Network Analyzer: Keysight E5080A or equivalent

Würth Elektronik eiSos GmbH & Co. KG

EMC & Inductive Solutions

Max-Eyth-Straße 1 · 74638 Waldenburg · Germany

Tel. +49 (0) 79 42 945-0 · Fax +49 (0) 79 42 945-400

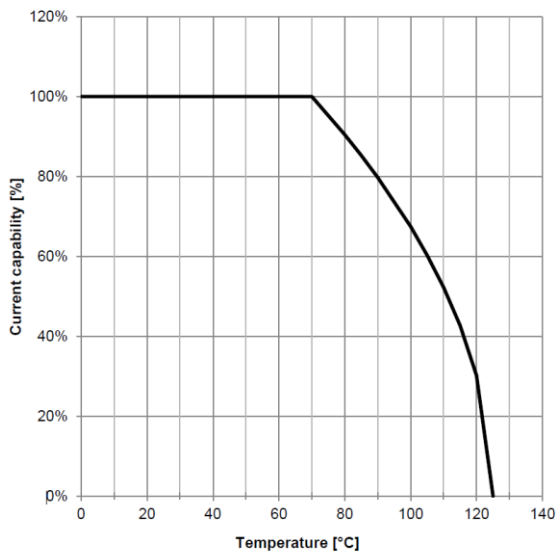
eiSos@we-online.de · www.we-online.de



### 3. Update the Insertion Loss Graph, due to the new measurement setup

### 4. Add the Impedance graph in Ohm

### 5. Add the Derating graph



### 6. Add a typical inductance value

### 7. Update electrical parameter Rated Current

Part number	Before Change	After Change
7448640395	2 A	2,6 A
7448640396	1,5 A	1,65 A
7448640397	1,2 A	1,3 A
7448640398	1,1 A	1,2 A
7448640399	1,0 A	1,15 A
7448640400	0,8 A	0,95 A
7448640401	0,8 A	0,9 A
7448640402	0,6 A	0,7 A

Würth Elektronik eiSos GmbH & Co. KG

EMC & Inductive Solutions

Max-Eyth-Straße 1 · 74638 Waldenburg · Germany

Tel. +49(0)79 42 945-0 · Fax +49(0)79 42 945-400

eiSos@we-online.de · www.we-online.de



7448640403	0,5 A	0,55 A
7448640404	0,4 A	0,47 A
7448640405	0,3 A	0,44 A
7448640406	2 A	2,65 A
7448640407	1,6 A	2,2 A
7448640408	1,5 A	2,0 A
7448640409	1,3 A	1,6 A
7448640410	1,2 A	1,55 A
7448640411	1,2 A	1,5 A
7448640412	1,0 A	1,25 A
7448640413	0,8 A	1,05 A
7448640414	0,7 A	0,97 A
7448640415	0,6 A	0,8 A
7448640416	0,5 A	0,6 A
7448640417	0,4 A	0,52 A
7448640418	0,3 A	0,4 A

## 8. Add AEC Q200 Logo



125 °C  
GRADE 1

## RELIABILITY / QUALIFICATION SUMMARY:

Test according AECQ 200 Table 5

Rated Current Measurements

S-Parameter Measurements