

**Industrial Ethernet  
IE-TO-RJ45-FJ-B**

**Weidmüller Interface GmbH & Co. KG**  
Klingenbergstraße 16  
D-32758 Detmold  
Germany  
Fon: +49 5231 14-0  
Fax: +49 5231 14-292083  
www.weidmueller.com



Mounting rail outlet, RJ45 module design according to IEC 60603-7-51, for wires with diameters up to 1.6 mm

**General ordering data**

Type	IE-TO-RJ45-FJ-B
Order No.	<a href="#">8946940000</a>
Version	Mounting rail outlet, RJ45, EIA/TIA T568 B, IP20
GTIN (EAN)	4032248734924
Qty.	10 pc(s).

**Industrial Ethernet  
IE-TO-RJ45-FJ-B**

**Weidmüller Interface GmbH & Co. KG**  
 Klingenbergstraße 16  
 D-32758 Detmold  
 Germany  
 Fon: +49 5231 14-0  
 Fax: +49 5231 14-292083  
 www.weidmueller.com

**Technical data****Dimensions and weights**

Net weight	54.4 g
------------	--------

**Temperatures**

Humidity	0...93 % rel. humidity	Operating temperature, max.	70 °C
Operating temperature, min.	-40 °C	Operating temperature	-40 °C...70 °C
Temperature range, installation, min.	-25 °C	Temperature range, installation, max.	70 °C

**Environmental Product Compliance**

REACH SVHC	Lead 7439-92-1
------------	----------------

**General data**

Connection 1	RJ45	Connection 2	IDC
Configuration	Switchable volt. connection from module/ coupling to mounting rail	Wiring	EIA/TIA T568 B
Colour	Light Grey	Shock resistance acc. to IEC 60512-4	250 ms <sup>-2</sup>
Vibration resistance acc. to IEC 60512-4	50 ms <sup>-2</sup> sinusoidal (9...500 Hz)	Humidity	0...93 % rel. humidity
Housing main material	PA UL 94 V0	Insulation cross-section, min.	0.85 mm
Insulation cross-section, max.	1.6 mm	Category	Cat.6 <sub>A</sub> / Class E <sub>A</sub> (ISO/IEC 11801 2010)
Contact material	Spring steel, Ni 1.2 µm	Contact surface	Au ≥ 0.8 µm
Connection diameter, solid	0.4...0.64 mm	Conductor connection cross-section, solid (AWG)	AWG 24...AWG 22
Connection diameter, flexible	0.48...0.76 mm	Conductor connection cross-section, flexible (AWG)	AWG 26...AWG 22
Sheath diameter, min.	5.5 mm	Sheath diameter, max.	10 mm
Type of mounting	TS 35	Protection degree	IP20
Plugging cycles	750	Ability to reconnect	≥ 10 cycles for AWG 23-26, ≥ 4 cycles for AWG 22

**Electrical properties**

Contact resistance	≤ 20 mΩ	Current-carrying capacity at 50 °C	1 A
Dielectric strength, contact / contact	≥ 1000 V DC	Dielectric strength, contact / shield	≥ 1500 V DC
Insulation strength	500 MΩ	PoE / PoE+	conforming to IEEE 802.3at

**Standards**

Connector standard	IEC 60603-7-51
--------------------	----------------

**Classifications**

ETIM 3.0	EC000018	ETIM 4.0	EC000018
ETIM 5.0	EC000018	ETIM 6.0	EC000313
UNSPSC	30-21-18-01	eClass 6.2	27-25-05-04
eClass 7.1	27-25-05-04	eClass 8.1	19-17-01-25
eClass 9.0	27-44-03-20	eClass 9.1	19-17-01-25

**Data sheet**

**Industrial Ethernet  
IE-TO-RJ45-FJ-B**

**Weidmüller Interface GmbH & Co. KG**  
 Klingenbergstraße 16  
 D-32758 Detmold  
 Germany  
 Fon: +49 5231 14-0  
 Fax: +49 5231 14-292083  
 www.weidmueller.com

**Technical data**

**Approvals**

Approvals



ROHS

Conform

**Downloads**

Approval/Certificate/Document of  
Conformity

Brochure/Catalogue

[CAT 9 IETH 18/19 EN](#)  
[MB FREECONTACT EN](#)  
[FL FIELDWIRING EN](#)  
[PI PROFINET CABLING EN](#)

Engineering Data

[EPLAN, WSCAD, Zuken E3.S](#)

User Documentation

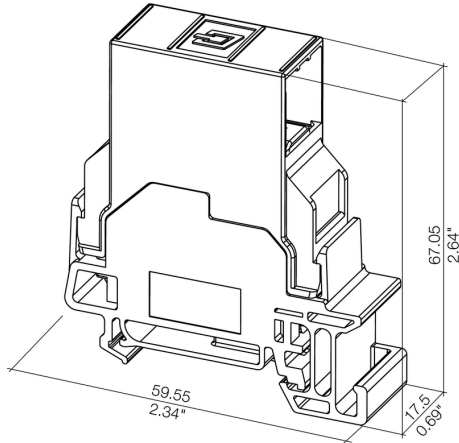
[MAN IE GUIDE DE](#)  
[MAN IE GUIDE EN](#)  
[Manual](#)

**Industrial Ethernet  
IE-TO-RJ45-FJ-B**

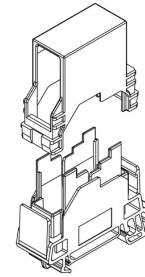
**Weidmüller Interface GmbH & Co. KG**  
Klingenbergstraße 16  
D-32758 Detmold  
Germany  
Fon: +49 5231 14-0  
Fax: +49 5231 14-292083  
www.weidmueller.com

**Drawings**

**Dimensioned drawing**



**Drawing**



**Industrial Ethernet  
IE-TO-RJ45-FJ-B**

**Weidmüller Interface GmbH & Co. KG**  
Klingenbergstraße 16  
D-32758 Detmold  
Germany  
Fon: +49 5231 14-0  
Fax: +49 5231 14-292083  
www.weidmueller.com

**Accessories****Multicard**

for labelling your cables

Features:

- for use in the laser printer
- made from polyester
- abrasion-resistant
- as accessory: pen and printing software

**General ordering data**

Type	ESG 9/11 K MC NE WS	Version
Order No.	<a href="#">1857440000</a>	ESG, Device markers x 11 mm, PA 66, Colour: white, Self-adhesive
GTIN (EAN)	4032248402731	
Qty.	200 pc(s).	

**LM MT**

for labelling your cables

Features:

- for use in the laser printer
- made from polyester
- abrasion-resistant

**General ordering data**

Type	LM MT DIN A5 9/11 GE	Version
Order No.	<a href="#">1964110000</a>	LaserMark, Device markers, 9 x 9 mm, yellow
GTIN (EAN)	4032248647194	
Qty.	10 pc(s).	
Type	LM MT DIN A5 9/11 OR	Version
Order No.	<a href="#">1964090000</a>	LaserMark, Device markers, 9 x 9 mm, orange
GTIN (EAN)	4032248647170	
Qty.	10 pc(s).	
Type	LM MT DIN A5 9/11 WS	Version
Order No.	<a href="#">1964070000</a>	LaserMark, Device markers, 9 x 9 mm, white
GTIN (EAN)	4032248647156	
Qty.	10 pc(s).	
Type	LM MT DIN A5 9/11 GN	Version
Order No.	<a href="#">1964120000</a>	LaserMark, Device markers, 9 x 9 mm, green
GTIN (EAN)	4032248647200	
Qty.	10 pc(s).	
Type	LM MT DIN A5 9/11 GR	Version
Order No.	<a href="#">1964080000</a>	LaserMark, Device markers, 9 x 9 mm, grey
GTIN (EAN)	4032248647163	
Qty.	10 pc(s).	

**Data sheet****Industrial Ethernet  
IE-TO-RJ45-FJ-B**

**Weidmüller Interface GmbH & Co. KG**  
Klingenbergstraße 16  
D-32758 Detmold  
Germany  
Fon: +49 5231 14-0  
Fax: +49 5231 14-292083  
www.weidmueller.com

**Accessories**

Type	LM MT DIN A5 9/11 BL	Version
Order No.	<a href="#">1964100000</a>	LaserMark, Device markers, 9 x 9 mm, blue
GTIN (EAN)	4032248647187	
Qty.	10 pc(s).	