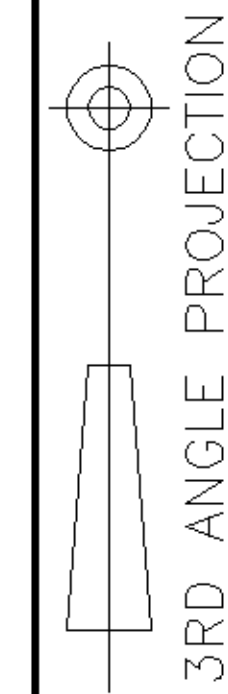


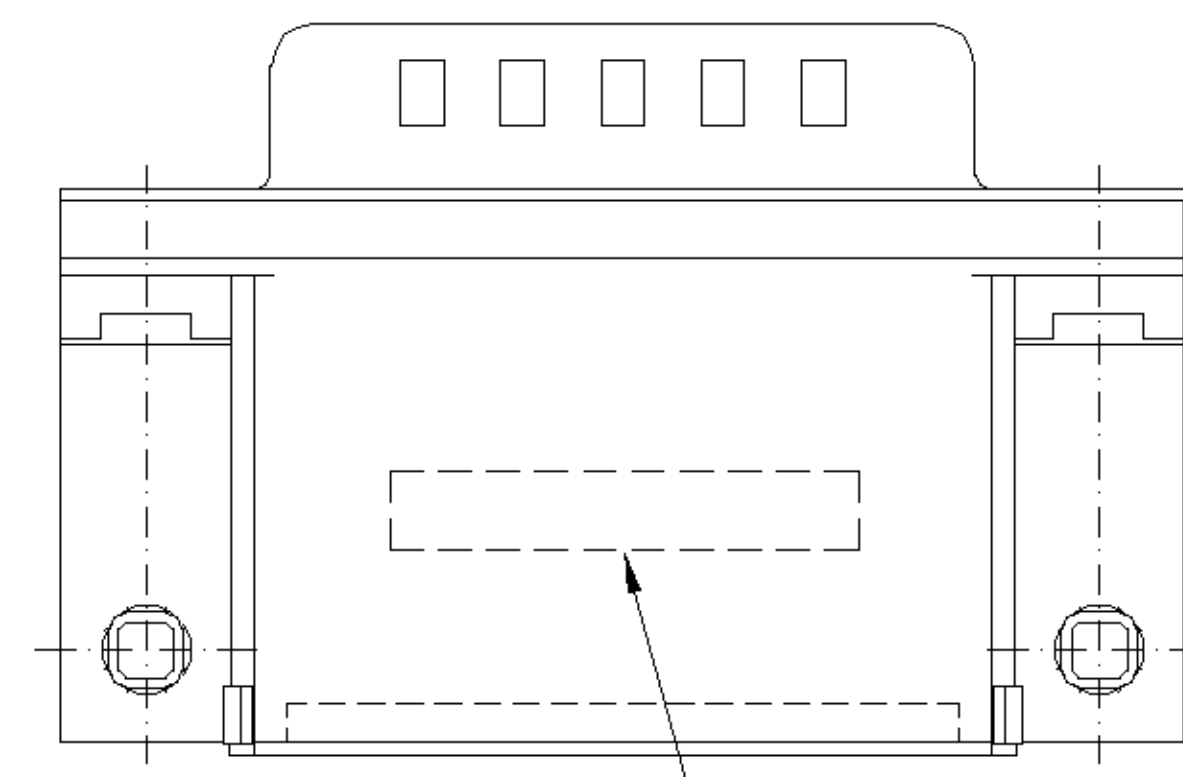
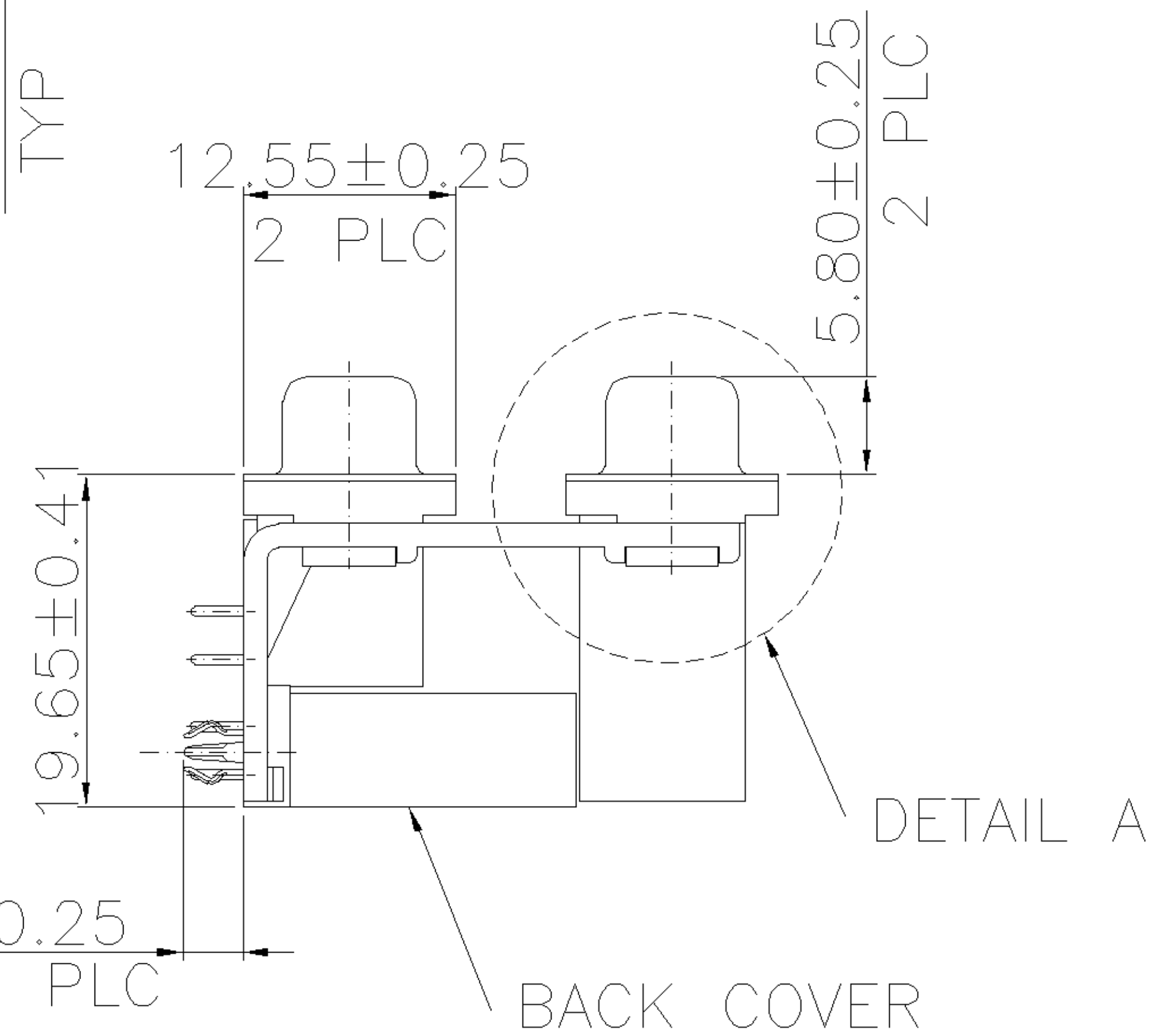
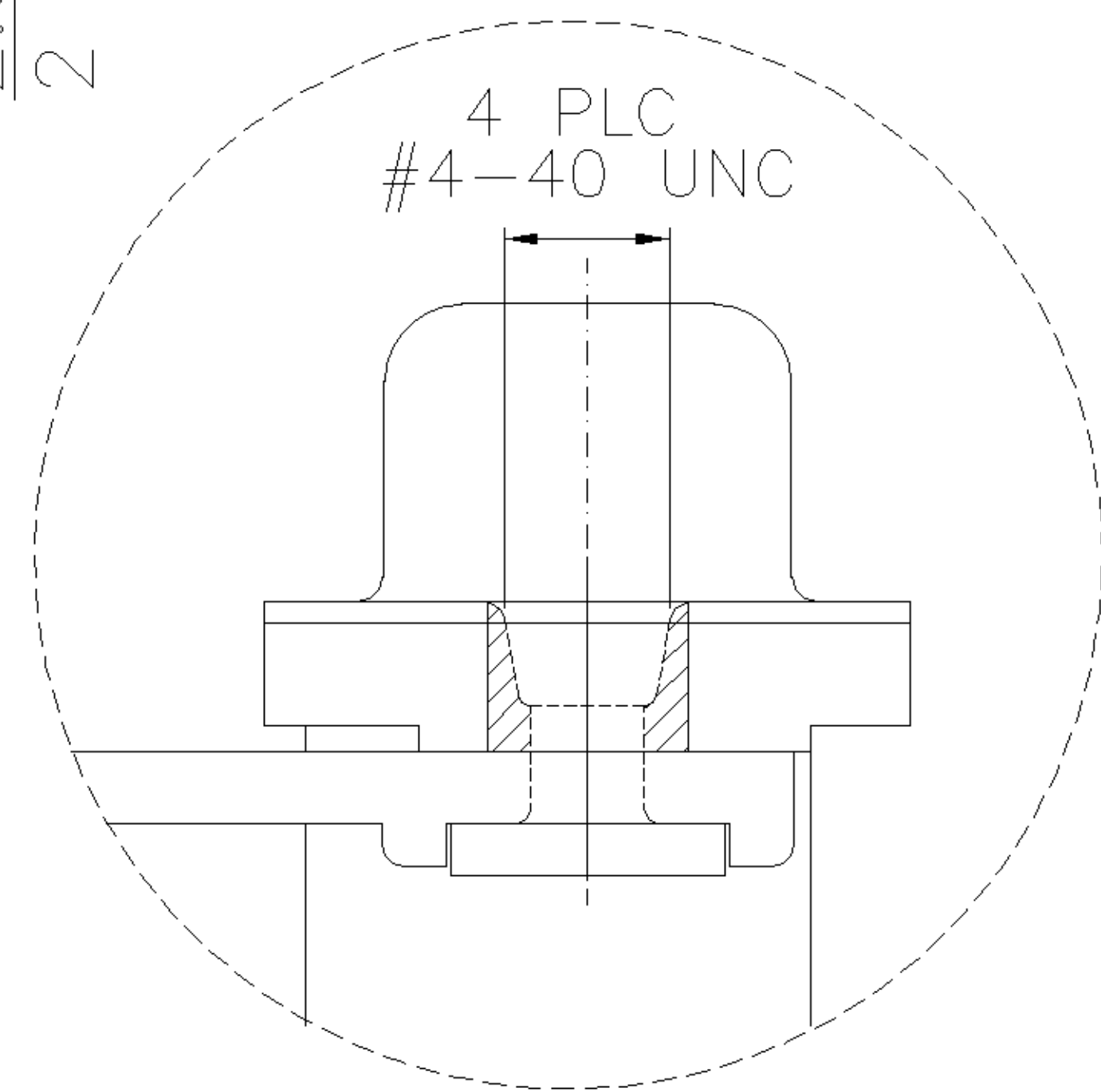
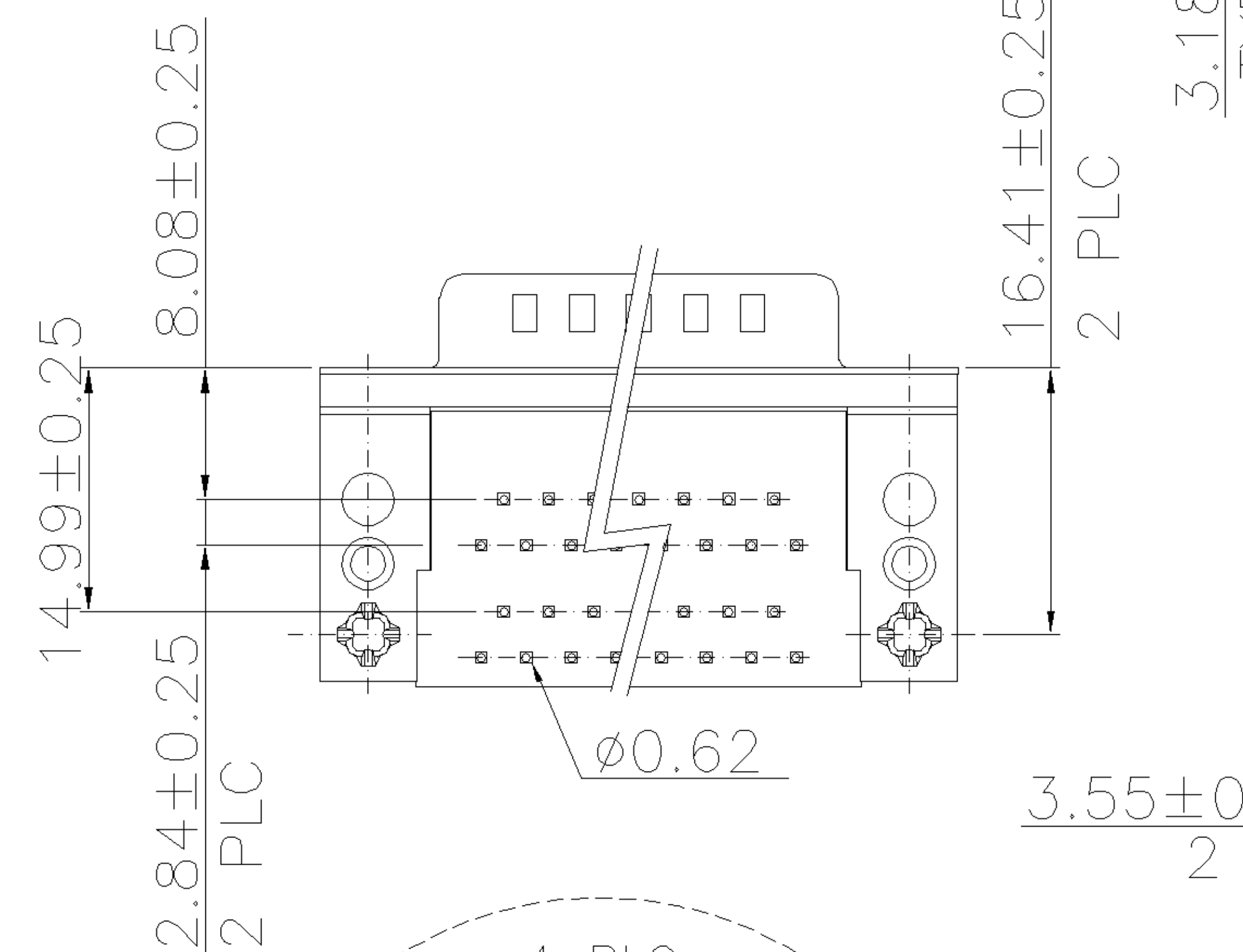
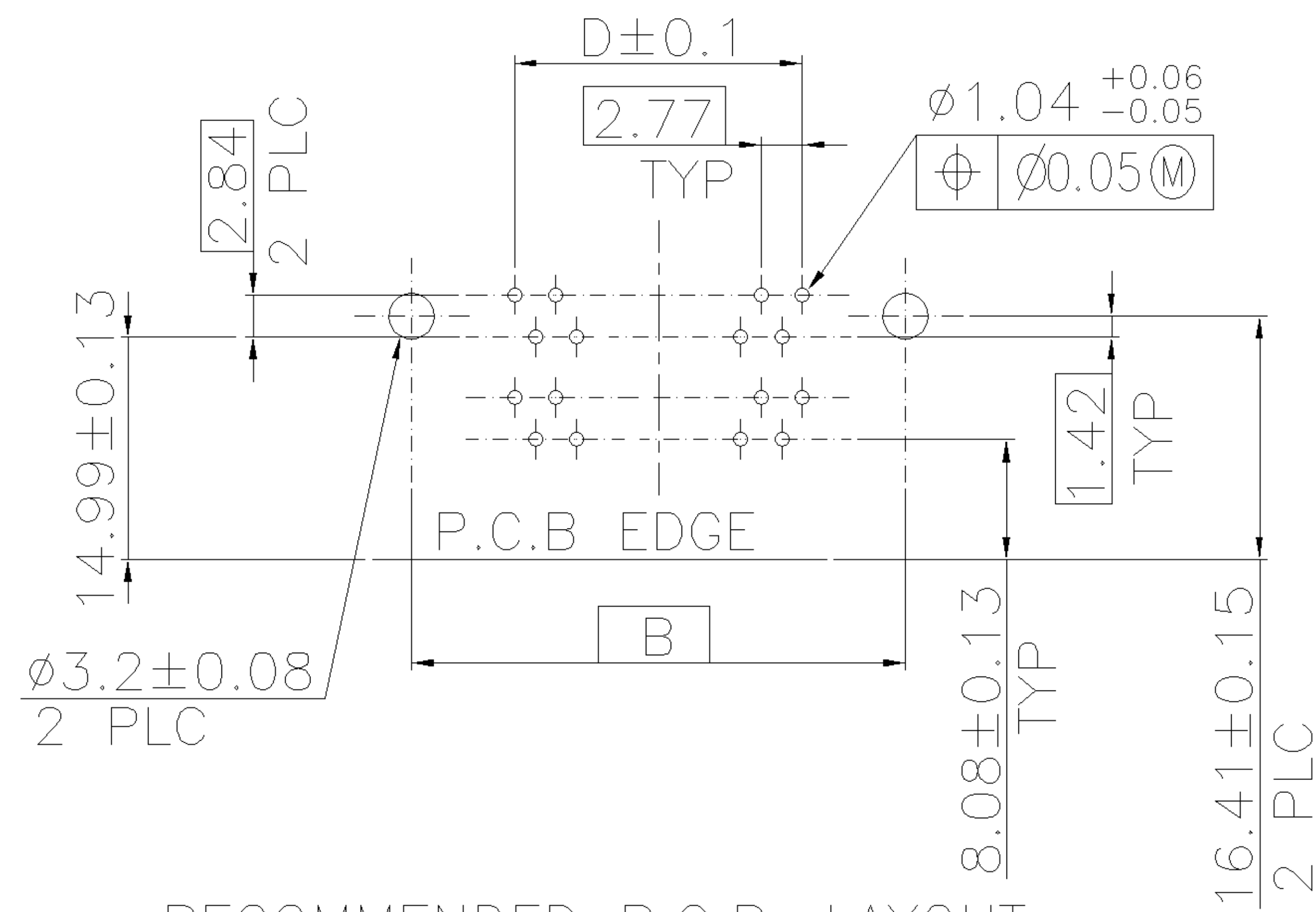
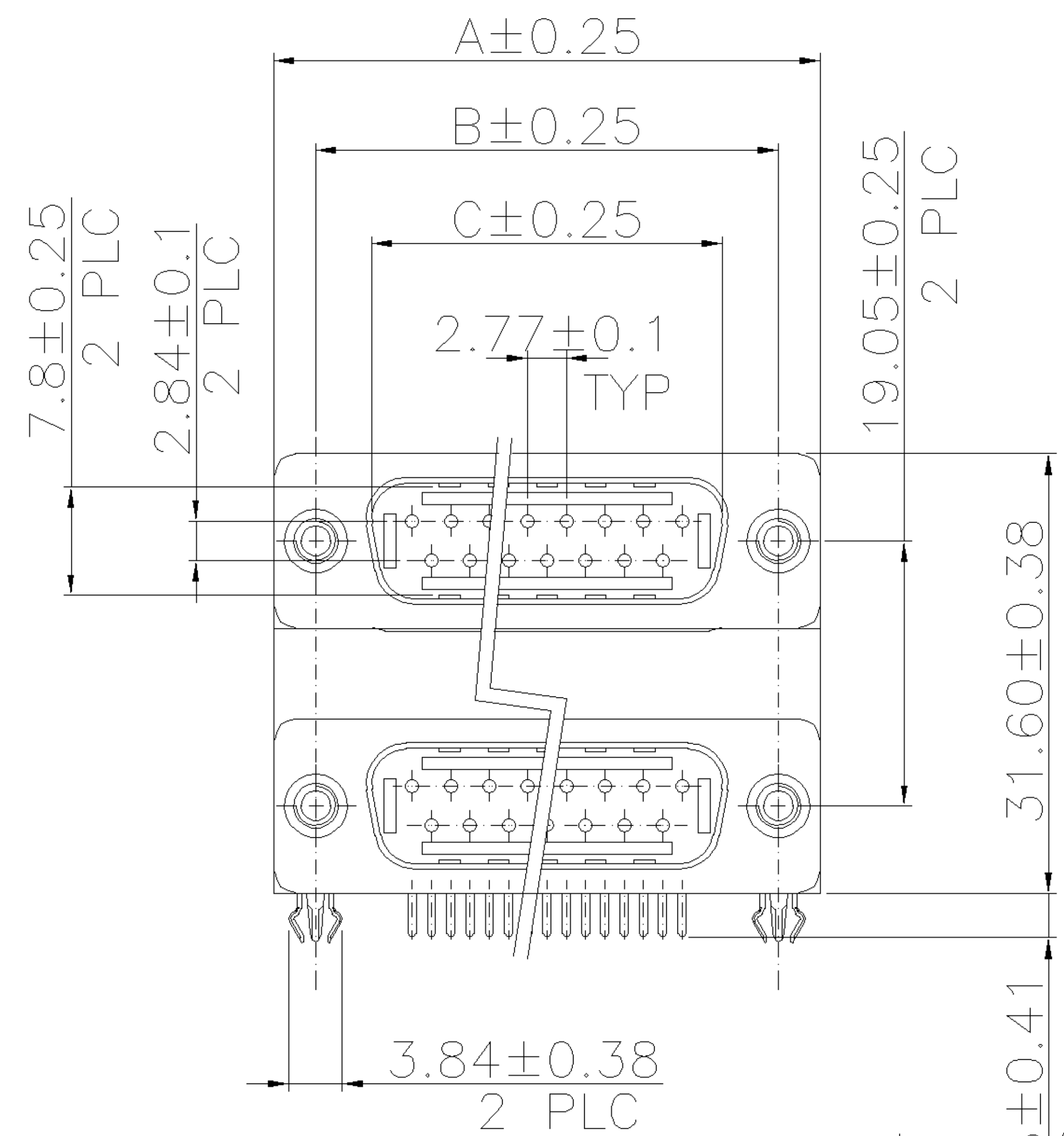
THIS INFORMATION IS CONFIDENTIAL AND IS DISCLOSED TO YOU ON CONDITION THAT NO FURTHER DISCLOSURE IS MADE BY YOU TO OTHER THAN AMP PERSONNEL WITHOUT WRITTEN AUTHORIZATION FROM AMP (TAIWAN) LTD.

PRINT DIST
DW

METRIC



NUMBER
C-1734279



- NOTES:
ROHS 2002/95/EC COMPLIANT
- MATERIAL:
 - HOUSING/BACK COVER: THERMOPLASTIC,UL94V-0; COLOR:SEE TABLE.
 - CONTACTS : COPPER ALLOY
 - BOARDLOCK : COPPER ALLOY
 - BRACKET : ZINC ALLOY
 - SHELL : STEEL
 - FINISH:
 - CONTACT: GOLD PLATING(SEE TABLE) ON CONTACT AREA. 100µ" MIN. TIN PLATING ON SOLDER TAIL AREA, 50µ" MIN. NICKEL UNDERPLATING OVERALL.
 - BOARDLOCK: 60µ" MIN. TIN PLATING OVERALL.
 - WAVE SOLDER CAPABLE TO 265°C PER TYCO SPEC. 109-202, CONDITION B.
- *. CHOOSE PRE-FIX FROM LEFT TABLE AND SUFFIX FROM RIGHT TABLE FOR DESIRED PART NUMBER COMBINATION.

WITHOUT REAR COVER	BLACK	30 u"	11.08	16.92	24.99	30.95	9-9	1734279-7
REMARK	HSG COLOR	GOLD PLATING	D	C	B	A	PINS	PART NO.

49.86	55.42	63.50	69.34	37-37	3-1734279-X
33.24	38.96	47.04	53.10	25-25	2-1734279-X
19.39	25.25	33.30	39.30	15-15	1-1734279-X
11.08	16.92	24.99	30.95	9-9	1734279-X
D	C	B	A	PINS	PART NO.

37-37 NOT AVAILABLE	PC99/ACTUAL COLOR	30 u"	X-1734279-6
	PC99/ACTUAL COLOR	10 u"	X-1734279-5
	PC99/ACTUAL COLOR	GOLD FLASH	X-1734279-4
	BLACK	30 u"	X-1734279-3
	BLACK	10 u"	X-1734279-2
	BLACK	GOLD FLASH	X-1734279-1
HSG COLOR	GOLD PLATING	PART NO.	

0	FIRST RELEASED	--	SH	15APR 2005
LTR	REVISION RECORD	ECN	DWN CHK	DATE

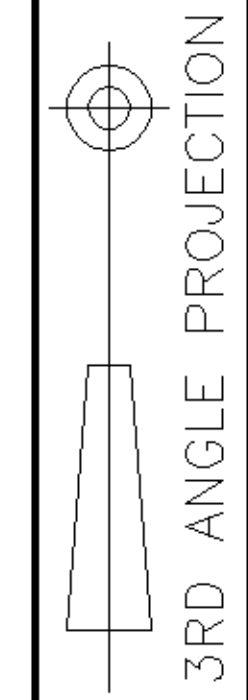
TOLERANCES UNLESS OTHERWISE SPECIFIED: 0 PLC ± 1 PLC ±0.3 2 PLC ±0.2 3 PLC ±0.1 ANGLES ±3'		DWN	S. HOU 15-APR-2005	tyco Electronics TYCO HOLDINGS (BERMUDA) VII LTD. TAIWAN BRANCH
MATERIAL SEE NOTE		CHK	W.J. KE 15-APR-2005	
FINISH SEE NOTE		APVD W.J. KE 15-APR-2005		NAME D-SUB STACKED PLUG OVER, PLUG, R/A TYPE, THREAD INSERTS
QUALIFICATION TEST REPORT 501-57590		PRODUCT SPEC 108-57517	LOC DW	SIZE A ₃
WEIGHT --		DRAWING NO C-1734279	REV 0	
SCALE --		SHEET 1 OF 3		

CUSTOMER DRAWING

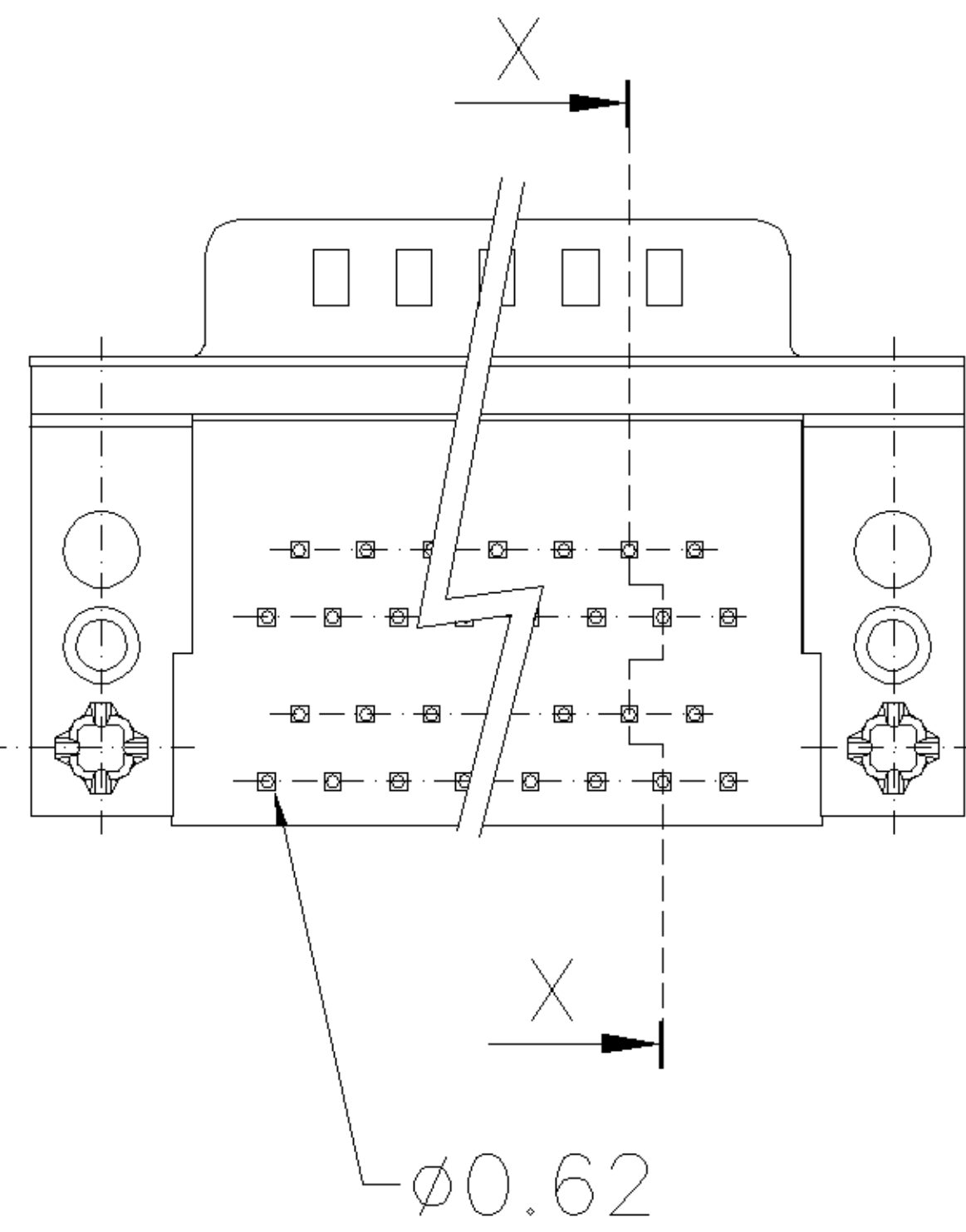
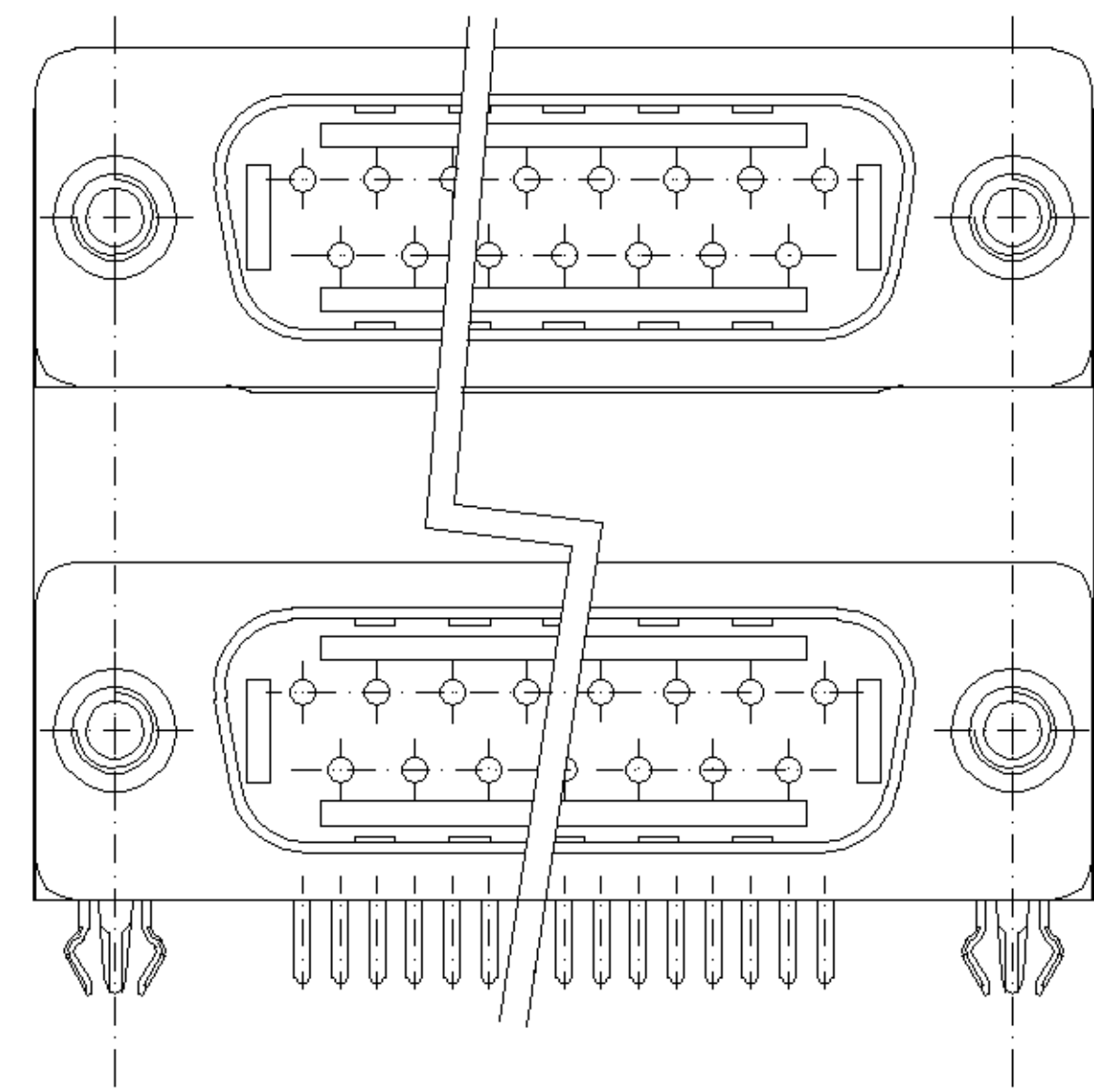
THIS INFORMATION IS CONFIDENTIAL AND IS DISCLOSED TO YOU ON CONDITION THAT NO FURTHER DISCLOSURE IS MADE BY YOU TO OTHER THAN AMP PERSONNEL WITHOUT WRITTEN AUTHORIZATION FROM AMP (TAIWAN) LTD. DIMENSIONS IN MILLIMETERS. DO NOT SCALE PRINT.

PRINT DIST
DW

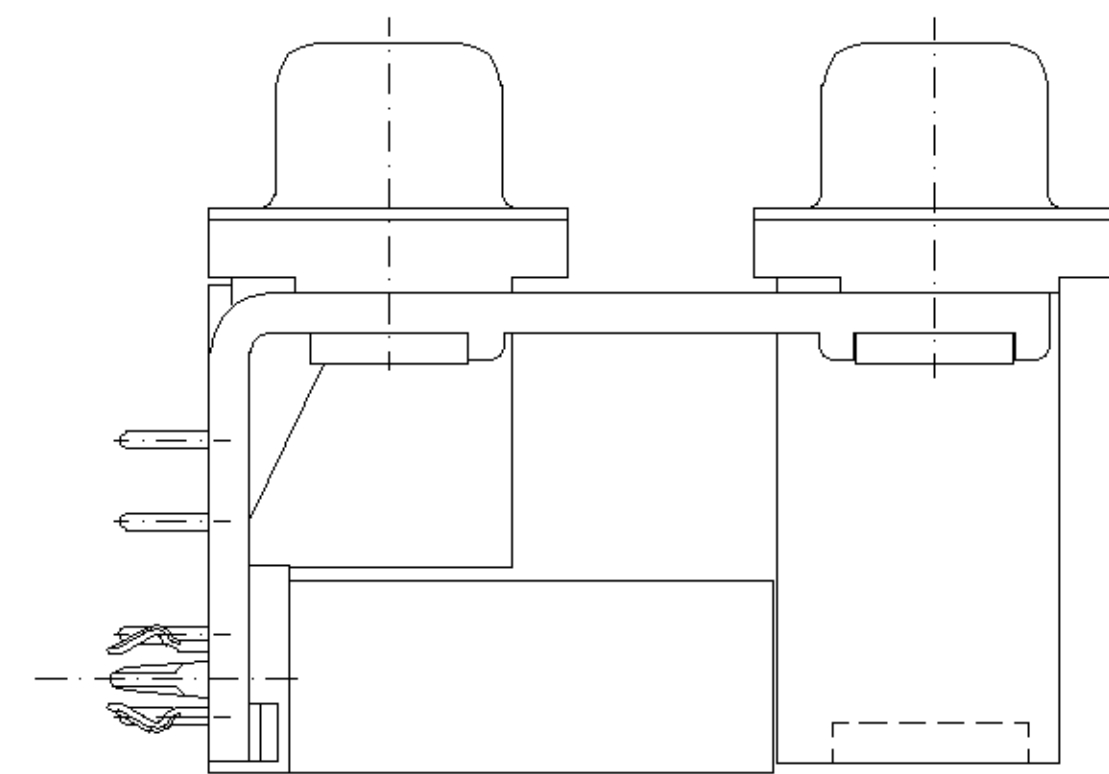
METRIC



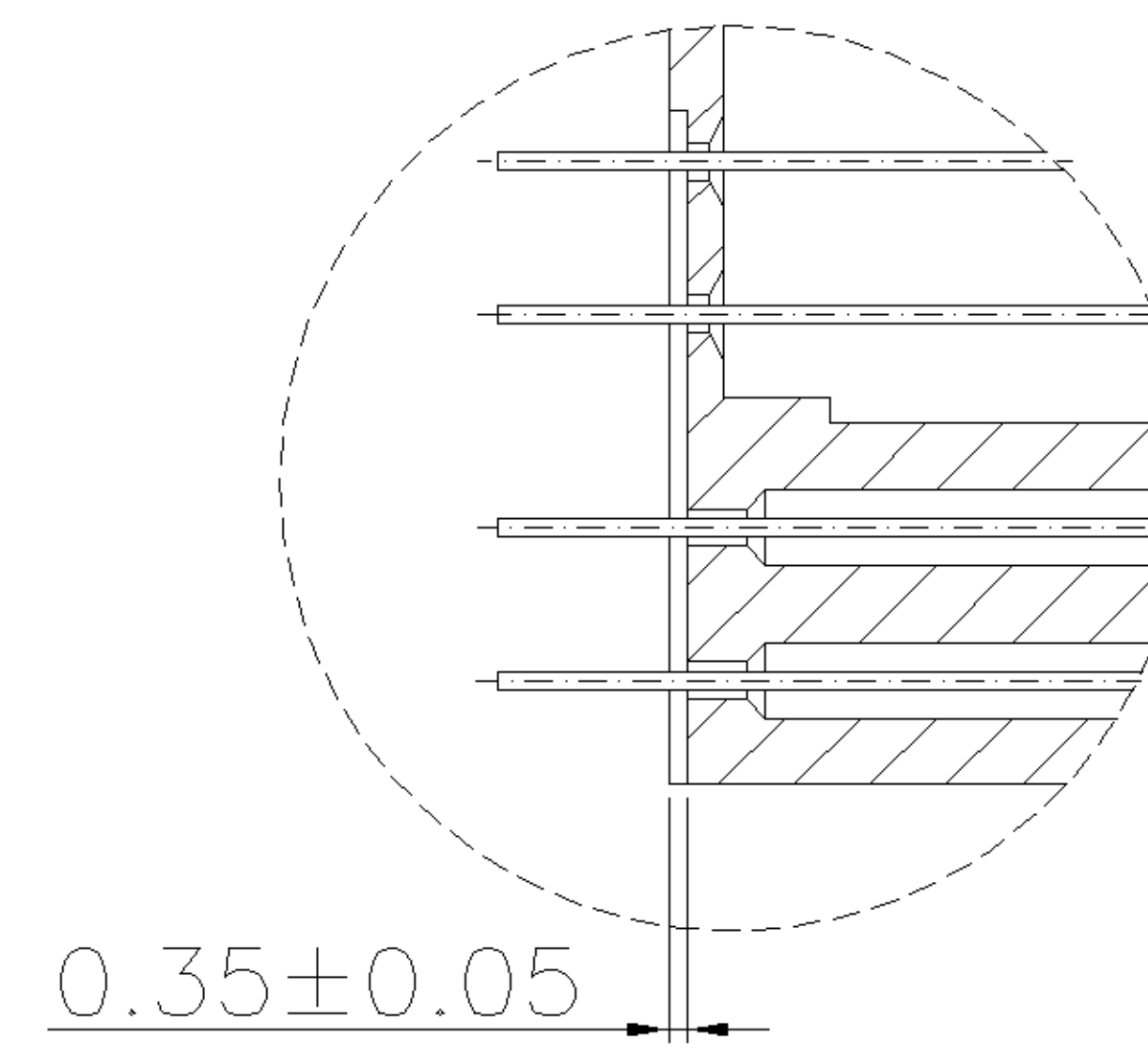
NUMBER
C-1734279



7-1734279-X	37-37	69.34	63.50	55.42	49.86
6-1734279-X	25-25	53.10	47.04	38.96	33.24
5-1734279-X	15-15	39.30	33.30	25.25	19.39
4-1734279-X	9-9	30.95	24.99	16.92	11.08
PART NO.	PINS	A	B	C	D



X-1734279-6	30 u"	PC99/ACTUAL COLOR	37-37 NOT AVAILABLE
X-1734279-5	10 u"	PC99/ACTUAL COLOR	
X-1734279-4	GOLD FLASH	PC99/ACTUAL COLOR	
X-1734279-3	30 u"	BLACK	
X-1734279-2	10 u"	BLACK	
X-1734279-1	GOLD FLASH	BLACK	
PART NO.	GOLD PLATING	HSG COLOR	



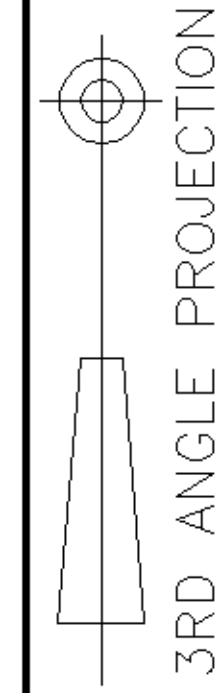
SEC. X-X

TOLERANCES UNLESS OTHERWISE SPECIFIED: 0 PLC ± 1 PLC ±0.3 2 PLC ±0.2 3 PLC ± ANGLES ±3'		DWN	S. HOU	tyco Electronics	TYCO HOLDINGS (BERMUDA) VII LTD. TAIWAN BRANCH		
MATERIAL SEE NOTE		CHK	W.J. KE		NAME D-SUB STACKED PLUG OVER, PLUG, R/A TYPE, THREAD INSERTS		
FINISH SEE NOTE		APVD W.J. KE 15-APR-2005		LOC	SIZE	DRAWING NO	REV
LTR		WEIGHT		DW	A ₃	C-1734279	0
SEE SHEET 1	REVISION RECORD	ECN	DWN CHK	SCALE	SHEET 2 OF 3		
			DATE	CUSTOMER DRAWING			

8 | 7 | 6 | 5 | 4 | 3 | 2 | 1

D
C
B
A

NUMBER
C-1734279



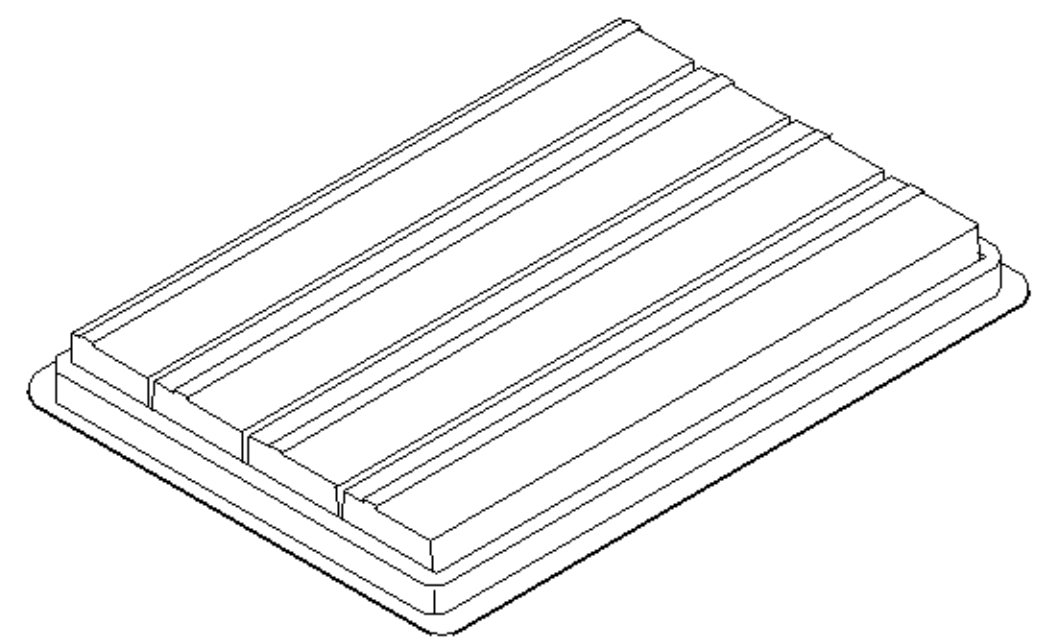
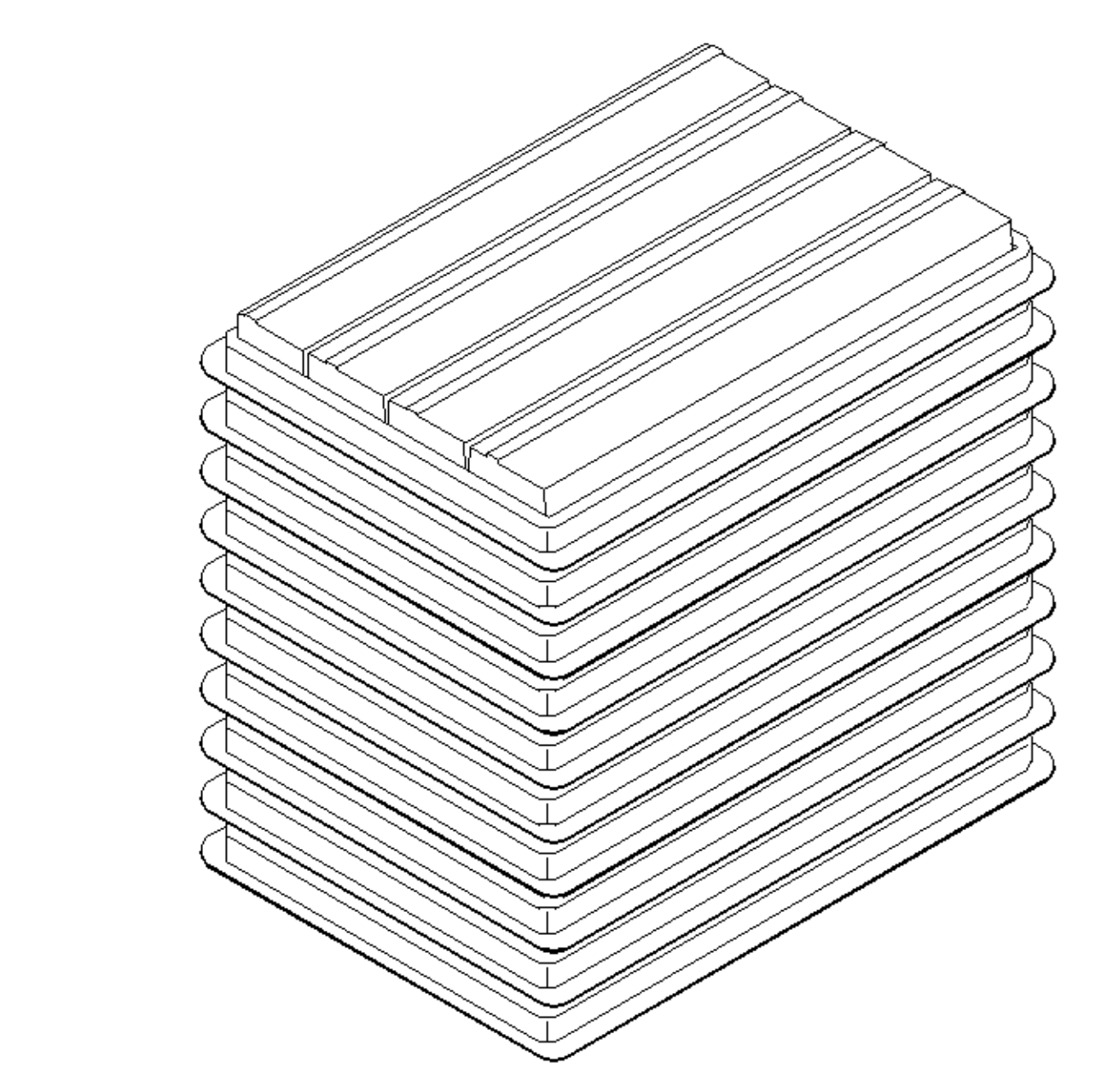
METRIC

THIS INFORMATION IS CONFIDENTIAL AND IS DISCLOSED TO YOU ON CONDITION THAT NO FURTHER DISCLOSURE IS MADE BY YOU TO OTHER THAN AMP PERSONNEL WITHOUT WRITTEN AUTHORIZATION FROM AMP (TAIWAN) LTD. DIMENSIONS IN MILLIMETERS. DO NOT SCALE PRINT.

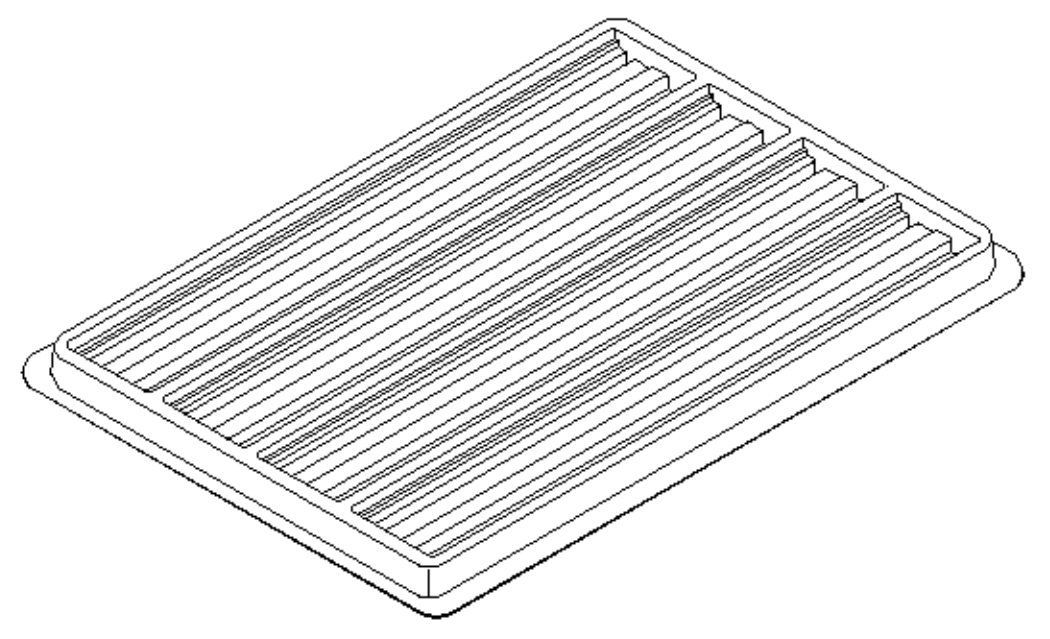
PRINT
DW

NOTE :
1. DIMENSION :
TRAY : L=310, W=215, H=30
CARTON : L=335, W=230, H=280
2. QUANTITY:

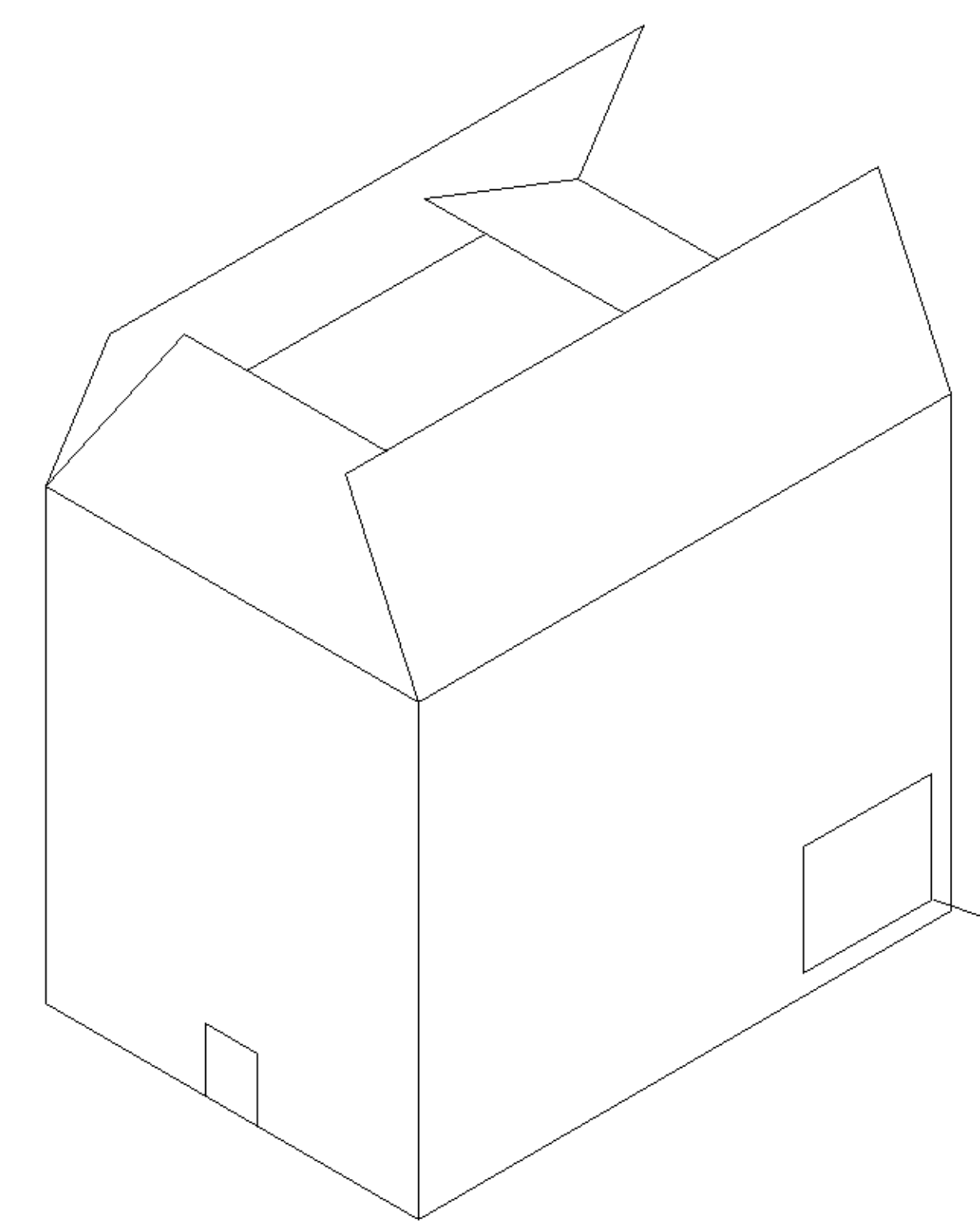
PIN NO.	9-9	15-15	25-25	37-37
PCS/TRAY	36	28	20	16
TRAY/CARTON	10	10	10	10
PCS/CARTON	360	280	200	160
NET WEIGHT(Kg)	10.3	10	9.5	9.7
GROSS WEIGHT(Kg)	11.3	11	10.5	11



TOP COVER

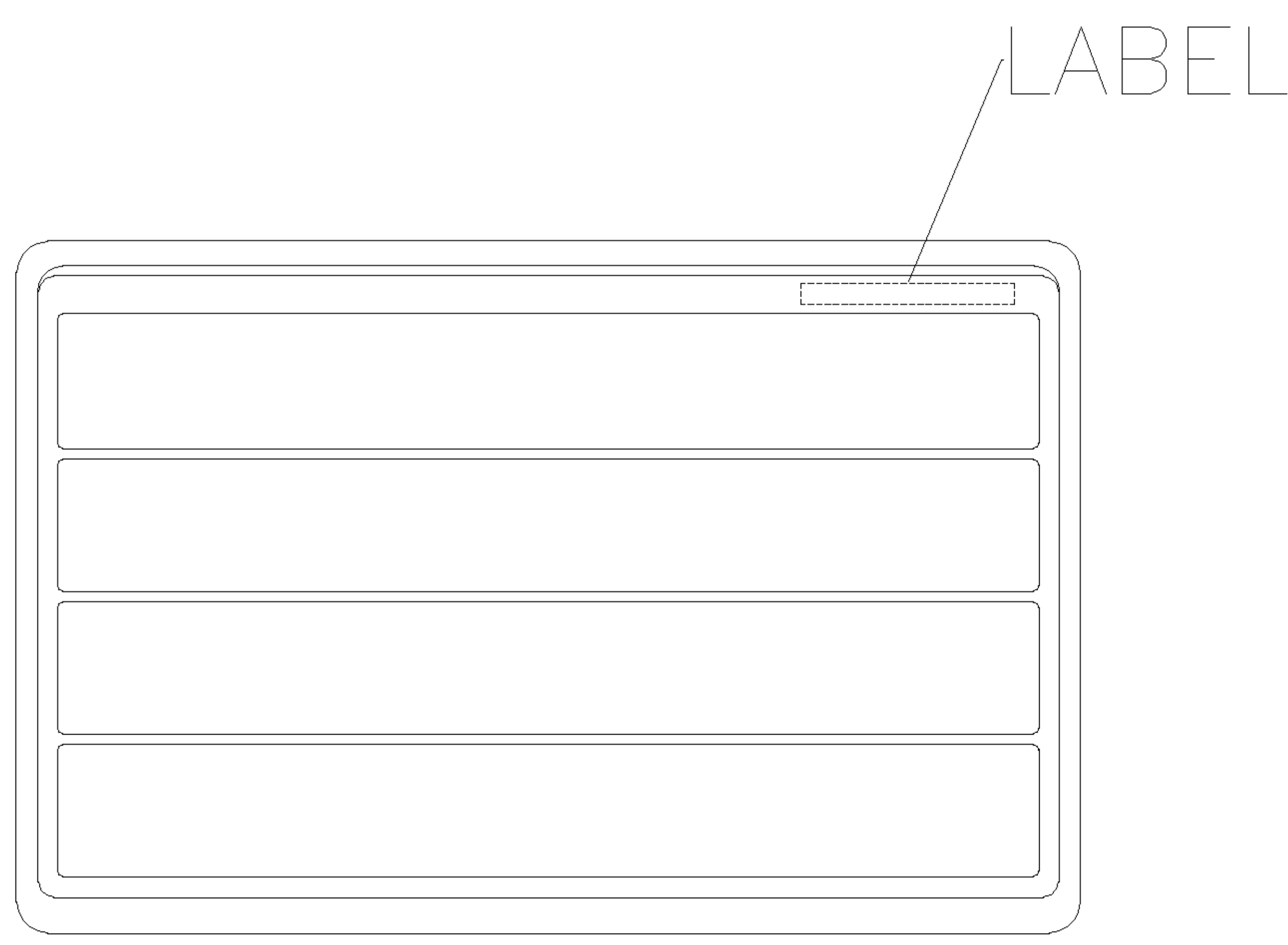


TRAY



CARTON

LABEL



TRAY LAYOUT

TOLERANCES UNLESS OTHERWISE SPECIFIED: 0 PLC ± 1 PLC ± 2 PLC ± 3 PLC ± ANGLES ±		DWN S. HOU 15-APR-2005	tyco TYCO HOLDINGS (BERMUDA) VII LTD. TAIWAN BRANCH	
MATERIAL SEE NOTE		CHK W.J. KE 15-APR-2005	NAME D-SUB STACKED PLUG OVER, PLUG, R/A TYPE, THREAD INSERTS	
FINISH SEE NOTE		APVD W.J. KE 15-APR-2005	LOC DW	SIZE A ₃
		PRODUCT SPEC -	DRAWING NO C-1734279	REV 0
		QUALIFICATION TEST REPORT -	SCALE --	SHEET 3 OF 3
		WEIGHT		

LTR	SEE SHEET 1	ECN	DWN CHK	DATE
	REVISION RECORD			