



268
HANDHELD CASES

292
UNIVERSAL
ENCLOSURES

318
HEAVY DUTY
AND ELECTRICAL
ENCLOSURES

342
DESKTOP AND
INSTRUMENT
CASES

348
DEVELOPMENT
BOARD
ENCLOSURES

367
ROOM SENSOR
ENCLOSURES

370
CUSTOM SIZED
ENCLOSURES

Room sensor enclosures

Product overview

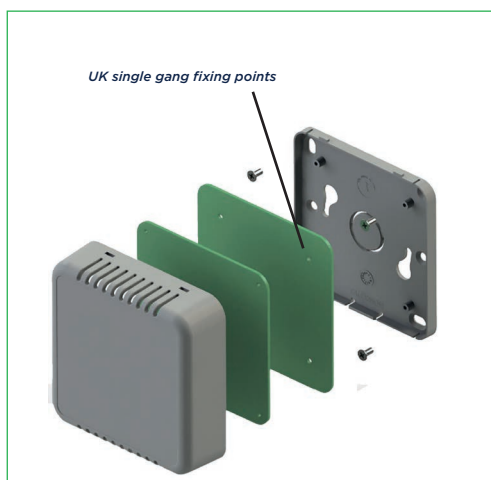
A versatile wall mount housing with a ventilation option, allowing airflow making them ideal for thermostats, sensor probes, and general environmental sensing applications. The solid housing lends itself to wall mount controls and smart applications such as lighting, security or network modules.

- Moulded in ABS UL94-V0
- Front and back clip together (tool required for disassembly once wall mounted)
- Internal PCB mount pillars moulded into the front and back sections of the housing
- Internal clips for snap-in PCB
- Recessed front face for overlay
- Recessed rear face for additional labelling
- Plain and vented versions available
- Rear knockout for cable entry (20mm diameter)
- Multiple mounting options, including single gang UK plug back box mount points
- Deep enough to house PP3 9V battery

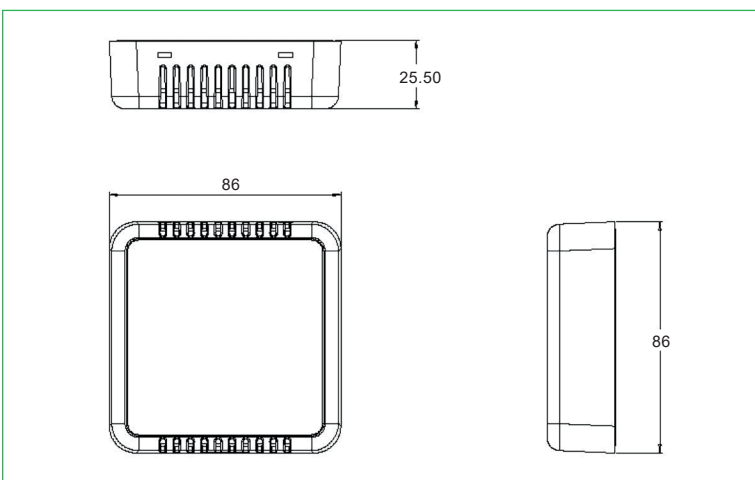


SPECIFICATION	
Materials	ABS UL94-V0
Operating temperature	-10°C to + 80°C
Standard unit includes	1 x room sensor enclosure

PART NO.	COLOUR	STYLE
CBRS01SWH	White	Solid
CBRS01VWH	White	Vented
CBRS01SBK	Black	Solid
CBRS01VBK	Black	Vented
CBRS01SGY	Grey	Solid
CBRS01VGY	Grey	Vented



*PCB not included



KEY FEATURES

IoT Enclosure | No screws needed | Designed to fit UK gang box



PLASTIC ENCLOSURES