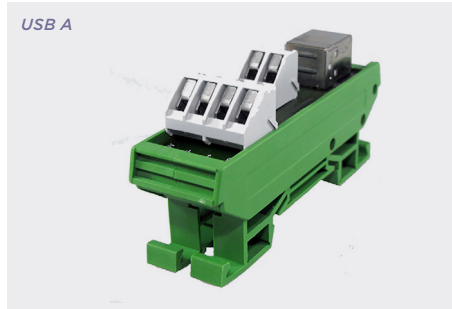




USB A interface module

Product overview

- Single USB A type socket to screw terminals
- Terminals marked +5V, D-, D+ and GND
- Separate shield connection
- 35mm DIN Rail mounting
- Option for 32mm (G) rail mounting
- 45° terminals for easy access
- RoHS compliant
- SVHC free (2012)
- Optional wall mounting plates are available (CIME/M/MPR)



SPECIFICATION

Rating	30V DC 100mA
Cable entry	0.2-4mm ² (30-12 AWG)
Terminal screw	M3
Strip length	6mm (0.24")
Max terminal torque	0.5Nm (4lb-in)

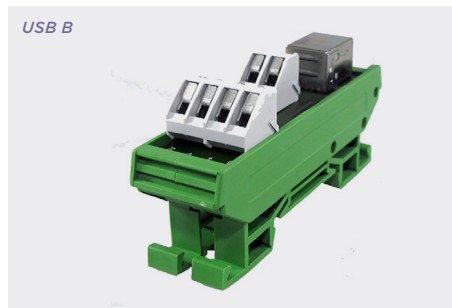
PART NO.	DESCRIPTION	HEIGHT	WIDTH	LENGTH
CIM/USBA	USB A to screw terminal interface. 35 mm Din Rail mounting	44mm (1.73")	83mm (3.27")	26mm (1.02")

002
PCB TERMINAL
BLOCKS081
TERMINAL STRIPS095
WIRE TO BOARD
CONNECTORS100
CIRCULAR
CONNECTORS151
IP68 CONNECTORS158
INTERFACE
MODULES AND
RELAY BASES

USB B interface module

Product overview

- Single USB B type socket to screw terminals
- Terminals marked +5V, D-, D+ and GND
- Separate shield connection
- 35mm DIN Rail mounting
- Option for 32mm (G) rail mounting
- 45° terminals for easy access
- RoHS compliant
- SVHC free (2012)
- Optional wall mounting plates are available (CIME/M/MPR)



SPECIFICATION

Rating	30V DC 100mA
Cable entry	0.2-4mm ² (30-12 AWG)
Terminal screw	M3
Strip length	6mm (0.24")
Max terminal torque	0.5Nm (4lb-in)

PART NO.	DESCRIPTION	HEIGHT	WIDTH	LENGTH
CIM/USBB	USB B to screw terminal interface. 35 mm Din Rail mounting	41mm (1.61")	83mm (3.27")	26mm (1.02")

ASSOCIATED PRODUCTS

CIME/M/MPR

- Wall mount plates

page 168