



Piezo switches, point illuminated

Product overview

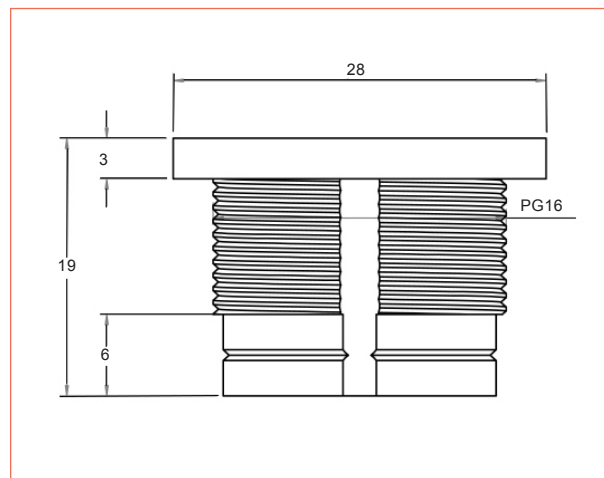
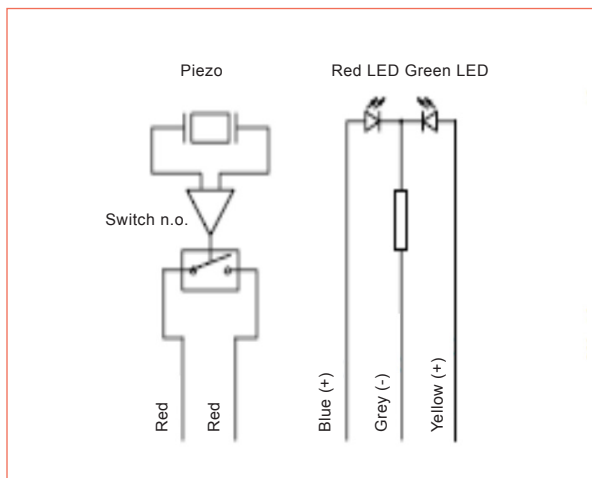
Aluminium piezo switches offering rugged, sealed tamper and vandal resistant solid state switching. Exceptional durability and reliability.

- Red/green spot illumination
- 28mm diameter actuator
- 22.5mm diameter mounting hole (PG16)
- Normally open, momentary action
- Make impulse time of 125-300 msec
- Choice of flat and recessed actuator
- Wire termination
- IP68 sealed

SPECIFICATION

Operating voltage	1-24V AC/DC
Switching current	0.2A max
Actuation force	3-5N
Operating temperature	20°C to +70°C
Ingress protection	IP68
Lifetime	50 million operations
'ON' resistance	<20Ω
'OFF' resistance	>5mΩ

PART NO.	TYPE
CPS22IF-ALNA-24RG	Flush
CPS22IR-ALNA-24RG	Recessed



KEY FEATURES

22mm mounting diameter | Point illuminated | IP68 ingress protection

178
MICROSWITCHES

182
TACTILE SWITCHES

186
22MM CONTROL
SWITCHES

191
FOOT SWITCHES

193
LIMIT SWITCHES

203
PIEZO SWITCHES
AND KEYPADS

SWITCH

207

