

PCB TERMINAL BLOCKS

PCB
TERMINAL
BLOCKS

INTER-
CONNECTION

FUSES &
FUSE-
HOLDERS

LEDs &
INDICATORS

MINIATURE
SWITCHES

LIMIT &
SAFETY
SWITCHES

CONTROL
PRODUCTS

INTERFACE
MODULES &
SUPPORTS

RELAY
BASES


DIN RAIL
ENCLOSURES

BATTERIES

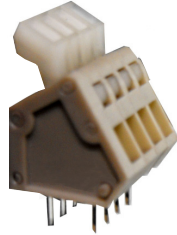
SOLAR
PANELS

TRANS-
FORMERS

2.5mm Pitch Screwless Terminal Blocks

- Interlocking modules
- 45° degree cable entry
- Lever actuator cable release
- Moulded in UL94-V0 flame retardant PA66
- 0.2-0.5mm² (28-20AWG) solid cable
-  Approved

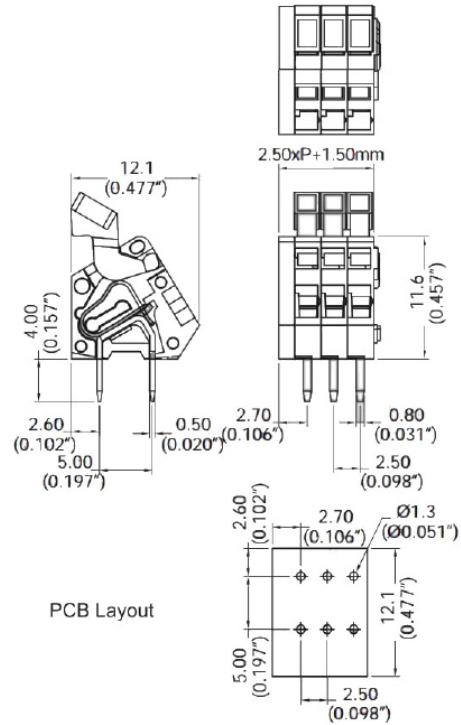
CSTBA45VC



SPECIFICATION

Rating	4A/130V UL=4A/150V, VDE=6A/130V
Operating temperature	-40°C to 105°C
Spring	Stainless strip steel
Pin Terminal	Brass/Tin Plated
PCB Hole Diameter	Ø1.3mm

TYPE NO.		LENGTH
CSTBA45VC/2	2	6.5mm
CSTBA45VC/3	3	9.0mm
CSTBA45VC/4	4	11.5mm
CSTBA45VC/5	5	14.0mm
CSTBA45VC/6	6	16.5mm
CSTBA45VC/7	7	19.0mm
CSTBA45VC/8	8	21.5mm
CSTBA45VC/9	9	24.0mm
CSTBA45VC/10	10	26.0mm
CSTBA45VC/11	11	29.0mm
CSTBA45VC/12	12	31.5mm
CSTBA45VC/13	13	34.0mm
CSTBA45VC/14	14	36.5mm
CSTBA45VC/15	15	39.0mm
CSTBA45VC/16	16	41.5mm
CSTBA45VC/17	17	44.0mm
CSTBA45VC/18	18	46.5mm
CSTBA45VC/19	19	49.0mm
CSTBA45VC/20	20	51.5mm
CSTBA45VC/21	21	54.0mm
CSTBA45VC/22	22	56.5mm
CSTBA45VC/23	23	59.0mm
CSTBA45VC/24	24	61.5mm



CAMDENBOSS

