

PCB TERMINAL BLOCKS

5.08mm Pitch Low Profile Rising Clamp Terminal Blocks

PCB
TERMINAL
BLOCKS

INTER-
CONNECTION

FUSES &
FUSE-
HOLDERS

LEDs &
INDICATORS

MINIATURE
SWITCHES

LIMIT &
SAFETY
SWITCHES

CONTROL
PRODUCTS

INTERFACE
MODULES &
SUPPORTS


RELAY
BASES

DIN RAIL
ENCLOSURES

BATTERIES

SOLAR
PANELS

TRANS-
FORMERS

- 2 & 3 pole double interlocking mechanism for increased strength
- 4-12 solid block end stackable
- Moulded in green UL94-V0 flame retardant PA66
- Professional rising clamp terminals
- 0.2-2.5mm² (30-14AWG) solid cable
- 0.2-1.5mm² (30-14AWG) stranded cable
- Guided pin alignment
- Captive screw
-  approved

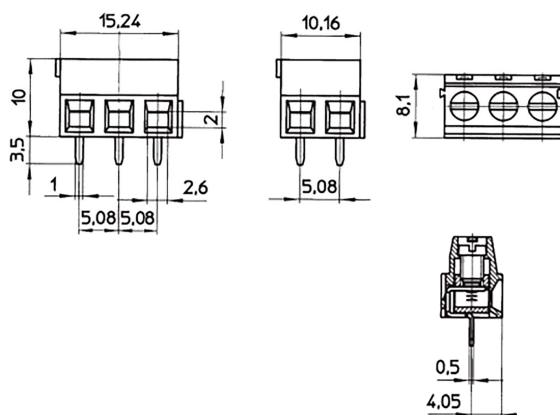
CTB0508



TYPE NO.	POLES	LENGTH
CTB0508/2	2	10.16mm
CTB0508/3	3	15.24mm
CTB0508/4	4	20.32mm
CTB0508/5	5	25.4mm
CTB0508/6	6	30.48mm
CTB0508/7	7	35.56mm
CTB0508/8	8	40.64mm
CTB0508/9	9	45.72mm
CTB0508/10	10	50.8mm
CTB0508/11	11	55.88mm
CTB0508/12	12	60.96mm

SPECIFICATION

Rating	14A/250V
Dielectric strength	UL=14A/300V, VDE&IMQ=14A/250V
Impulse withstand voltage	≥2kV
Working temperature	4kV
Moulding	110°C
Pin/terminal	UL94-V0 flame retardant PA66
Rising clamp	Tinned, nickel plated brass
Screw/torque	Tinned, nickel plated brass
Recommended PCB hole size	M3 steel zinc plated, 0.5Nm
	ø1.3mm



CAMDENBOSS

We operate a constant improvement policy, our products are subject to change without notice.

Ver 1.1

+44 (0)1638 716101
info@camdenboss.com
www.camdenboss.com



FM 28614 EMS 613558