



# 10mm pitch standard profile terminal block

## Product overview

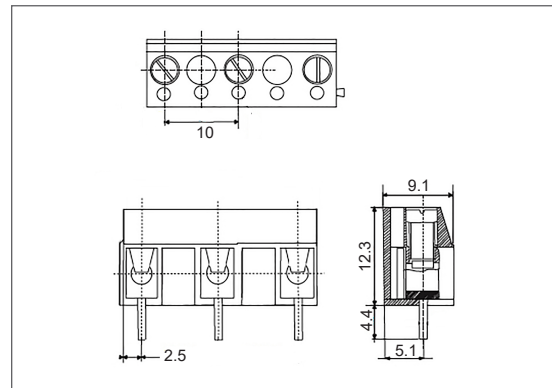
- 2-12 pole interlocking
- Moulded in black UL94-V0 PA66
- Wire protector terminals
- 0.13-1.3mm<sup>2</sup> (26-16 AWG)
- Guided pin alignment

CTB2202



SPECIFICATION	
Rating	16A 250V
Insulation resistance	5000M $\Omega$ /1000V
Withstand voltage	AC1500V/1min
Contact resistance	20m $\Omega$
Working temperature	-33°C to +120°C
Mouldings	UL94-V0 flame retardant PA66
Wire protector	Stainless steel
Screw/torque	M3 Steel, Nickel Plated 0.4Nm
Recommended PCB hole size	$\phi$ 1.1mm

PART NO.	POLES	LENGTH
CTB2202/2	2	15mm
CTB2202/3	3	25mm
CTB2202/4	4	35mm
CTB2202/5	5	45mm
CTB2202/6	6	55mm
CTB2202/7	7	65mm
CTB2202/8	8	75mm
CTB2202/9	9	85mm
CTB2202/10	10	95mm
CTB2202/11	11	105mm
CTB2202/12	12	115mm



## KEY FEATURES

Wire protector terminals | UL94-V0 PA moulding | Interlocking

