



## ECONOMY RANGE

## 5mm pitch pluggable rising clamp terminal blocks

## Product overview

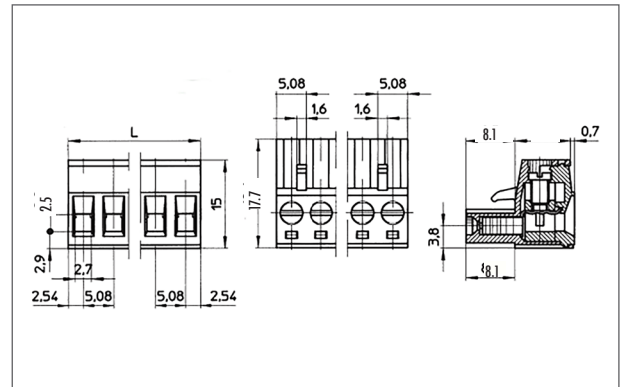
- 2-12 pole solid block
- Up to 24 poles available
- Pluggable male-female connectors
- Professional rising clamp terminals
- Closed headers
- Polarised mouldings
- Moulded in green UL94-V0 flame retardant PA66
- 0.2-3.3mm<sup>2</sup> (24-12AWG) solid & stranded cable
- Captive screws
- Guided pin alignment
- approved

## SPECIFICATION

Rating	15A 300V
Insulation resistance	1000M $\Omega$ /1000V
Withstand voltage	AC1000V/1min
Contact resistance	20m $\Omega$
Working temperature	-40°C to +105°C
Mouldings	UL94-V0 flame retardant PA66
Wire protector	Tin plated, phosphor bronze
Screw/torque	M3 steel, tin plated 0.4Nm
Recommended PCB hole size	$\phi$ 1.4mm

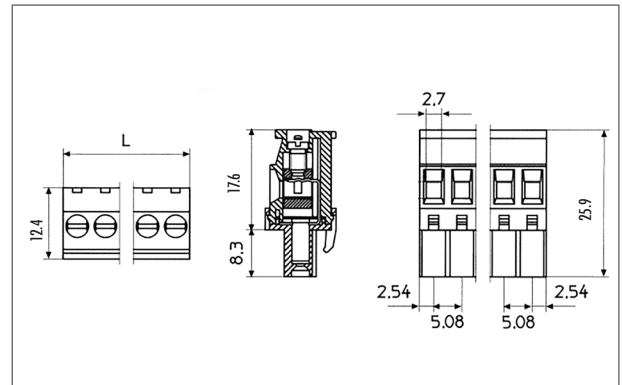
PART NO.	POLES	LENGTH
CTB9202/2	2	10mm
CTB9202/3	3	15mm
CTB9202/4	4	20mm
CTB9202/5	5	25mm
CTB9202/6	6	30mm
CTB9202/7	7	35mm
CTB9202/8	8	40mm
CTB9202/9	9	45mm
CTB9202/10	10	50mm
CTB9202/11	11	55mm
CTB9202/12	12	60mm

CTB9202



PART NO.	POLES	LENGTH
CTB922VG/2S	2	10mm
CTB922VG/3S	3	15mm
CTB922VG/4S	4	20mm
CTB922VG/5S	5	25mm
CTB922VG/6S	6	30mm
CTB922VG/7S	7	35mm
CTB922VG/8S	8	40mm
CTB922VG/9S	9	45mm
CTB922VG/10S	10	50mm
CTB922VG/11S	11	55mm
CTB922VG/12S	12	60mm

CTB922VG S



PART NO.	POLES	LENGTH
CTB922VG/2R	2	10mm
CTB922VG/3R	3	15mm
CTB922VG/4R	4	20mm
CTB922VG/5R	5	25mm
CTB922VG/6R	6	30mm
CTB922VG/7R	7	35mm
CTB922VG/8R	8	40mm
CTB922VG/9R	9	45mm
CTB922VG/10R	10	50mm
CTB922VG/11R	11	55mm
CTB922VG/12R	12	60mm

CTB922VG R

