

Labgear MOD121 RF Analogue Modulator

Easy set-up analogue modulator pre-configured for UK TV integration

- Easy set-up -
Pre-configured for UK TV integration
- Clear readout -
3 digit LED display shows selected channel number
- Highly adaptable -
Can operate on cable TV networks
- Auto recovery - returns to selected channel after a power-cut
- PLL controlled frequency for rock-solid stability
- Output level adjustment - increase for longer cable runs
- Double side-band modulation for non-adjacent channels only

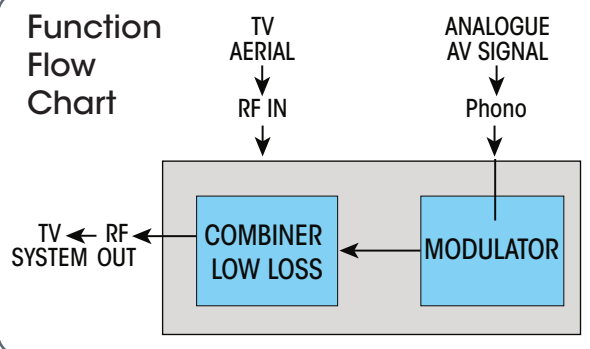


Signal sources

Any analogue AV signal source can be converted and distributed via the MOD121 including older CCTV equipment and other AV sources.

Compatible Displays

Please note you will need a TV with a built in analogue tuner to view the output of the MOD121.



Features and Controls

1. Audio Input Right
2. Audio Input Left
3. Video Input
4. RF Input (Aerial)
5. LED Channel Display
6. RF Output
7. RF Output Level Adjustment
8. Video Brightness Adjustment
9. Audio Volume Adjustment
10. Channel Up
11. Channel Down
12. Channel Lock
13. Mode selection - (channel group/audio subcarrier)

