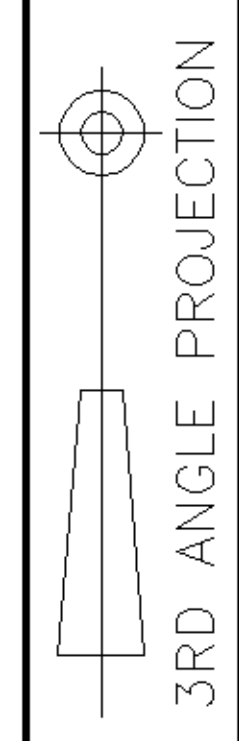


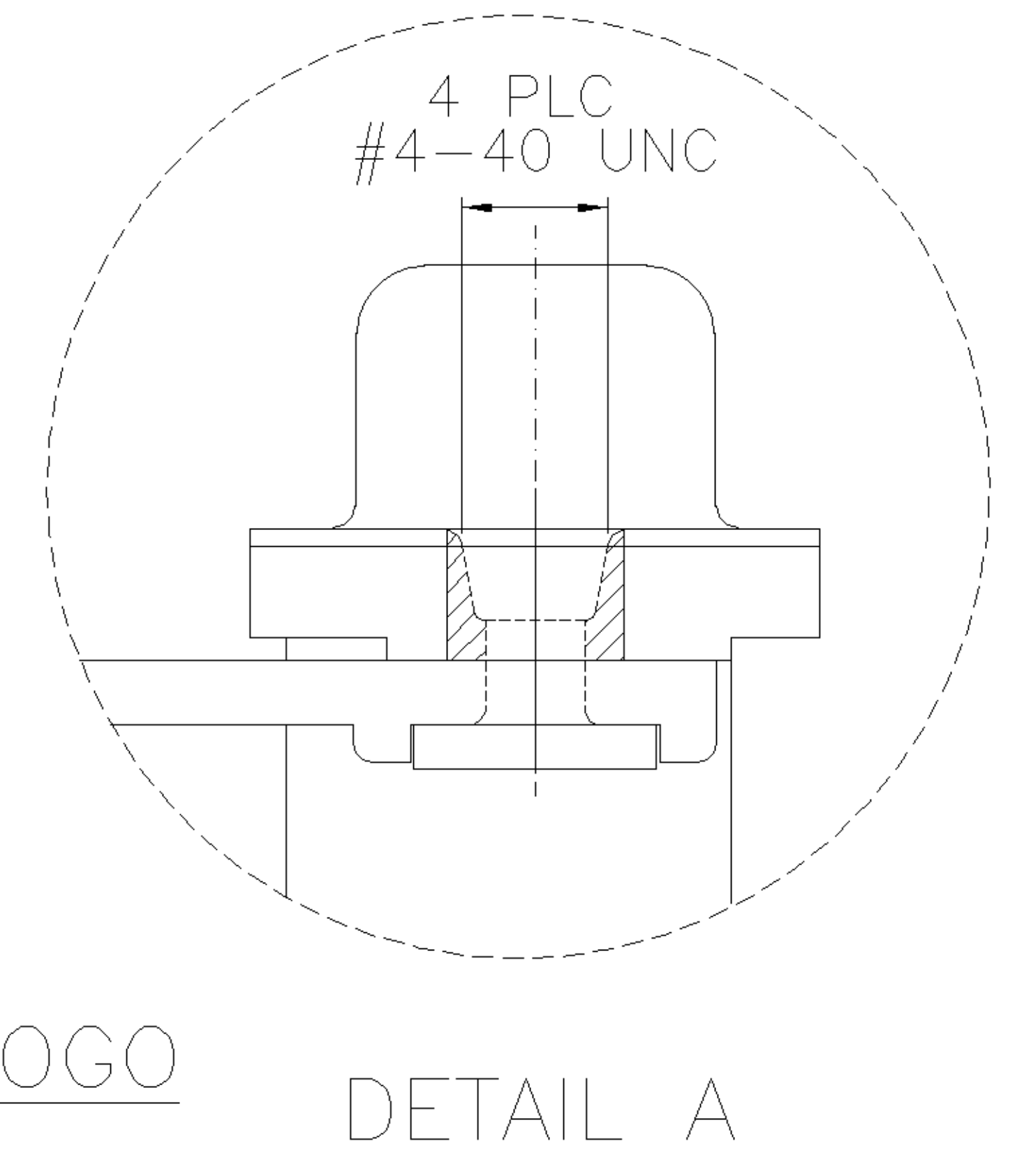
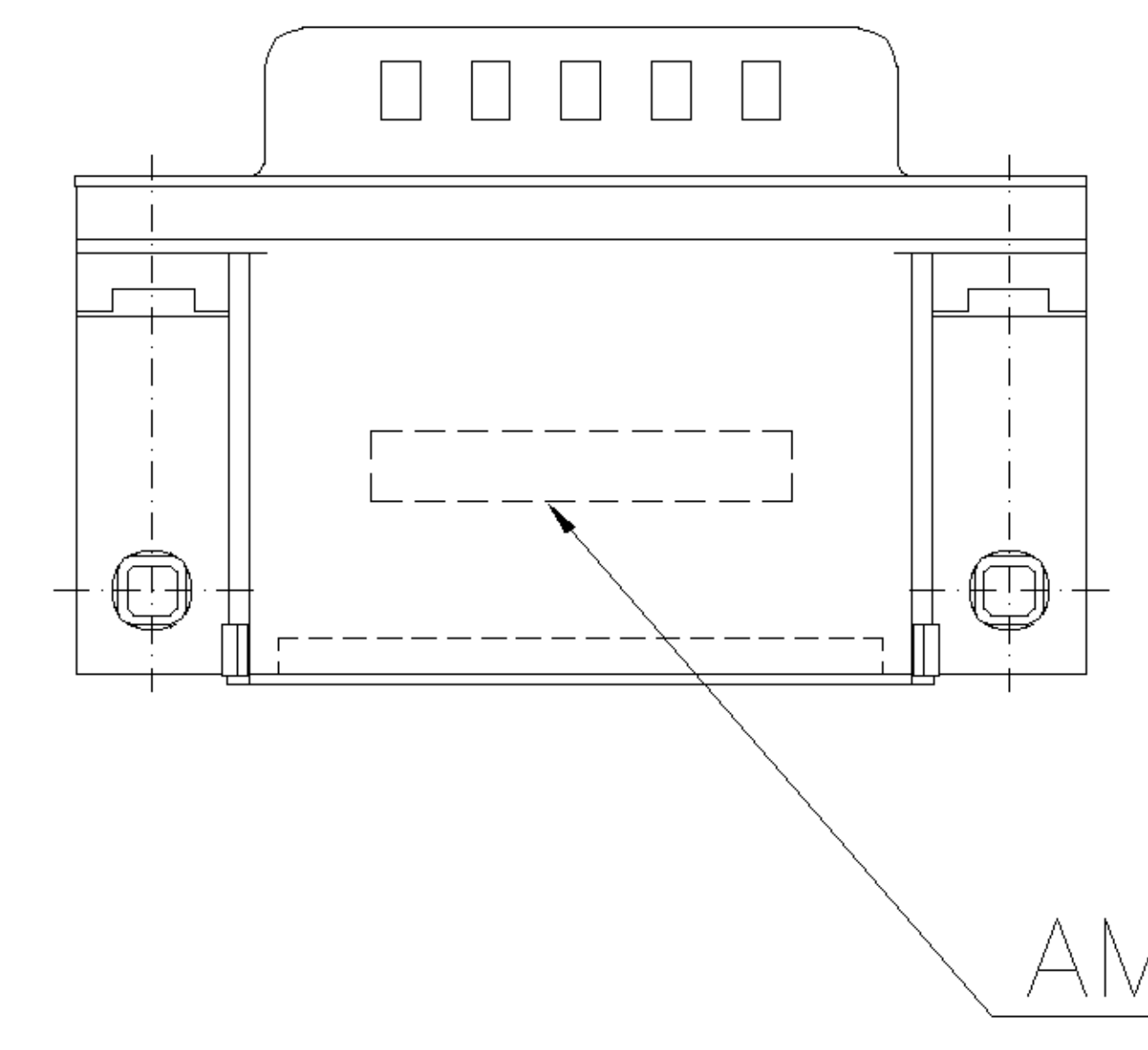
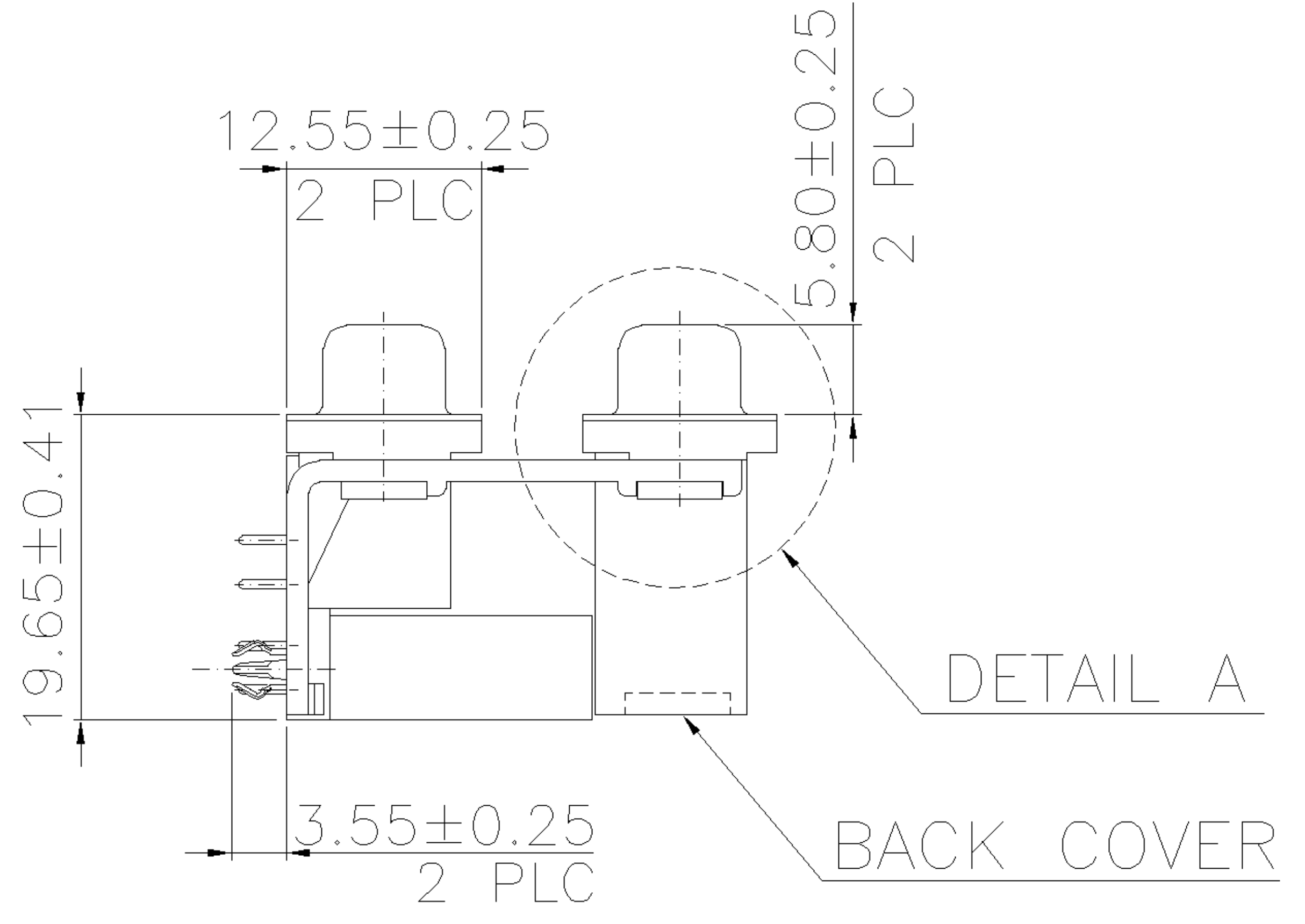
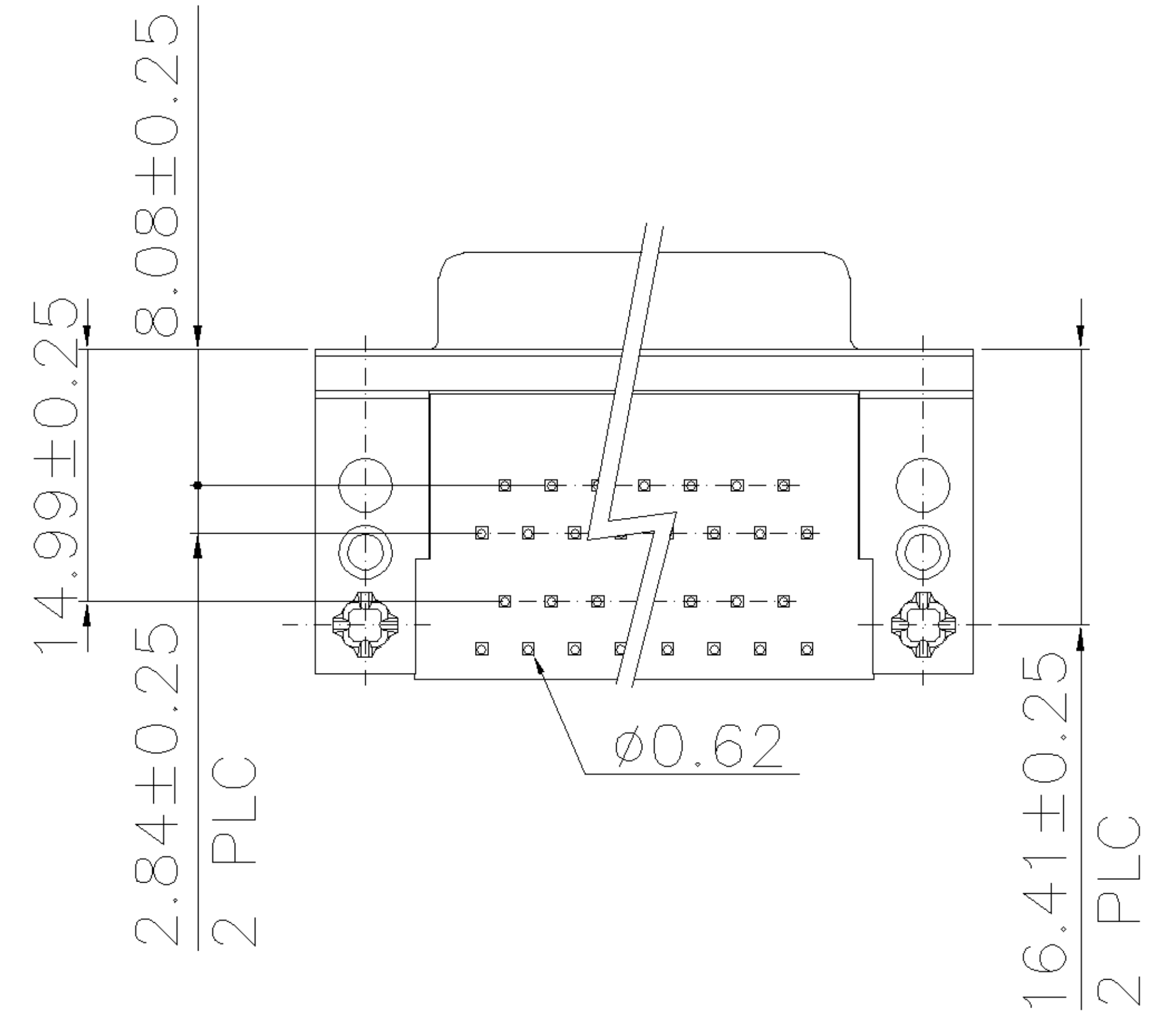
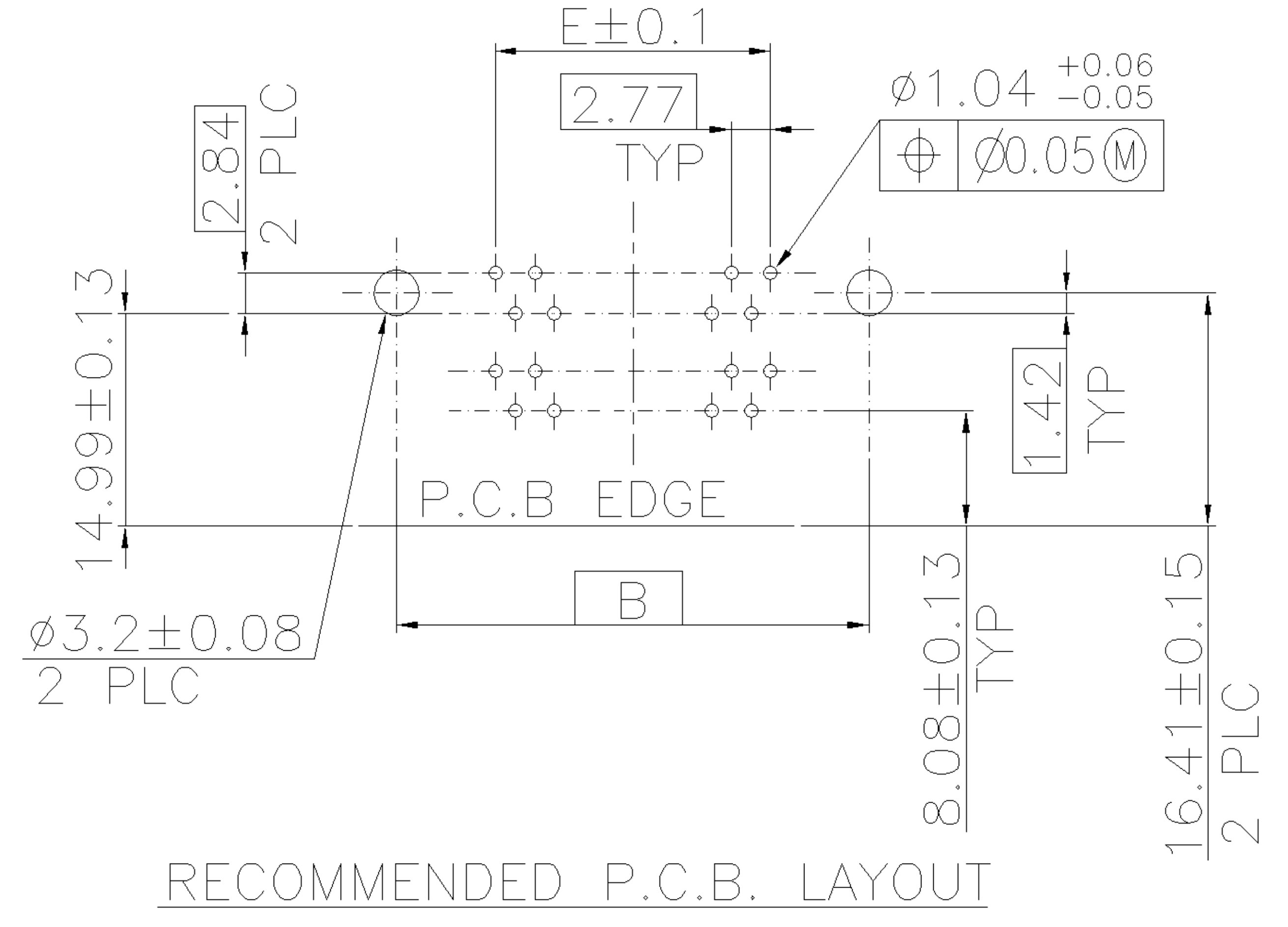
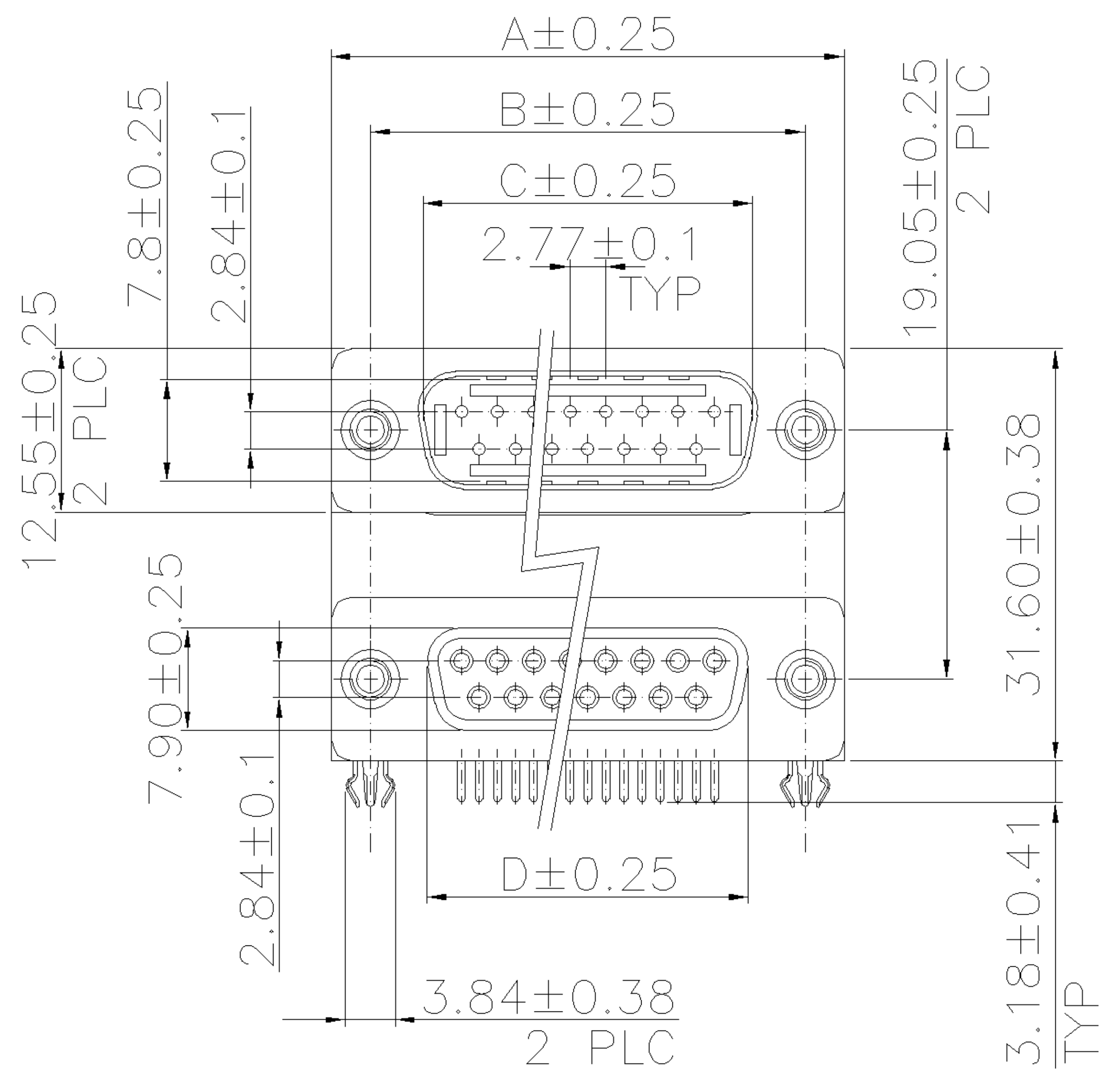
NUMBER  
C-1734282



METRIC

THIS INFORMATION IS CONFIDENTIAL AND IS DISCLOSED TO YOU ON CONDITION THAT NO FURTHER DISCLOSURE IS MADE BY YOU TO OTHER THAN AMP PERSONNEL WITHOUT WRITTEN AUTHORIZATION FROM AMP (TAIWAN) LTD. DIMENSIONS IN MILLIMETERS. DO NOT SCALE PRINT.

PRINT  
DW



NOTES:

1. MATERIAL:
  - 1.1 HOUSING/BACK COVER: THERMOPLASTIC, UL94V-0; COLOR: SEE TABLE.
  - 1.2 CONTACTS: COPPER ALLOY
  - 1.3 BOARDLOCK: COPPER ALLOY
  - 1.4 BRACKET: ZINC ALLOY
  - 1.4 SHELL: STEEL
2. FINISH:
  - 2.1 CONTACT: GOLD PLATING (SEE TABLE) ON CONTACT AREA. 100µ" MIN. BRIGHT TIN PLATING ON SOLDER TAIL AREA, 50µ" MIN. NICKEL UNDERPLATING OVERALL.
  - 2.2 BOARDLOCK: 60µ" MIN. TIN PLATING OVERALL.
  - 2.3 SHELL: 60µ" MIN. TIN PLATING OVERALL.
3. WAVE SOLDER CAPABLE TO 265°C PER TYCO SPEC. 109-202, CONDITION B.

3-1734282-X	37-37	69.34	63.50	55.42	54.80	49.86
2-1734282-X	25-25	53.10	47.04	38.96	38.30	33.24
1-1734282-X	15-15	39.30	33.30	25.25	24.60	19.39
1734282-X	9-9	30.95	24.99	16.92	16.20	11.08
PART NO.	PINS	A	B	C	D	E

X-1734282-6	30 u"	PC99/ACTUAL COLOR	37-37 NOT AVAILABLE
X-1734282-5	10 u"	PC99/ACTUAL COLOR	
X-1734282-4	GOLD FLASH	PC99/ACTUAL COLOR	
X-1734282-3	30 u"	BLACK	
X-1734282-2	10 u"	BLACK	
X-1734282-1	GOLD FLASH	BLACK	
PART NO.	GOLD PLATING	HSG COLOR	

TOLERANCES UNLESS OTHERWISE SPECIFIED:	DWN	J. LEE	30-JUN-2005
0 PLC ±0.5	CHK	S. HOU	30-JUN-2005
1 PLC ±0.3	APVD	W.J. KE	30-JUN-2005
2 PLC ±0.2	PRODUCT SPEC	108-57517	
3 PLC ±	QUALIFICATION TEST REPORT	501-57590	
ANGLES ±3°	WEIGHT		
MATERIAL	SEE NOTE		
FINISH	SEE NOTE		

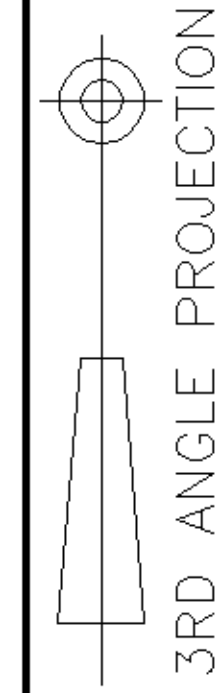
LOC	SIZE	DRAWING NO	REV
DW	A <sub>3</sub>	C-1734282	0
SCALE	SHEET		
--	1 OF 2		

**tyco** TYCO HOLDINGS (BERMUDA) VII LTD. TAIWAN BRANCH  
**Electronics**

NAME  
D-SUB STACKED PLUG OVER RCPT, R/A TYPE, THREAD INSERTS

0	NEW RELEASE	--	JL	SH	30JUN 2005
LTR	REVISION RECORD	ECN	DWN	CHK	DATE

NUMBER  
C-1734282



METRIC

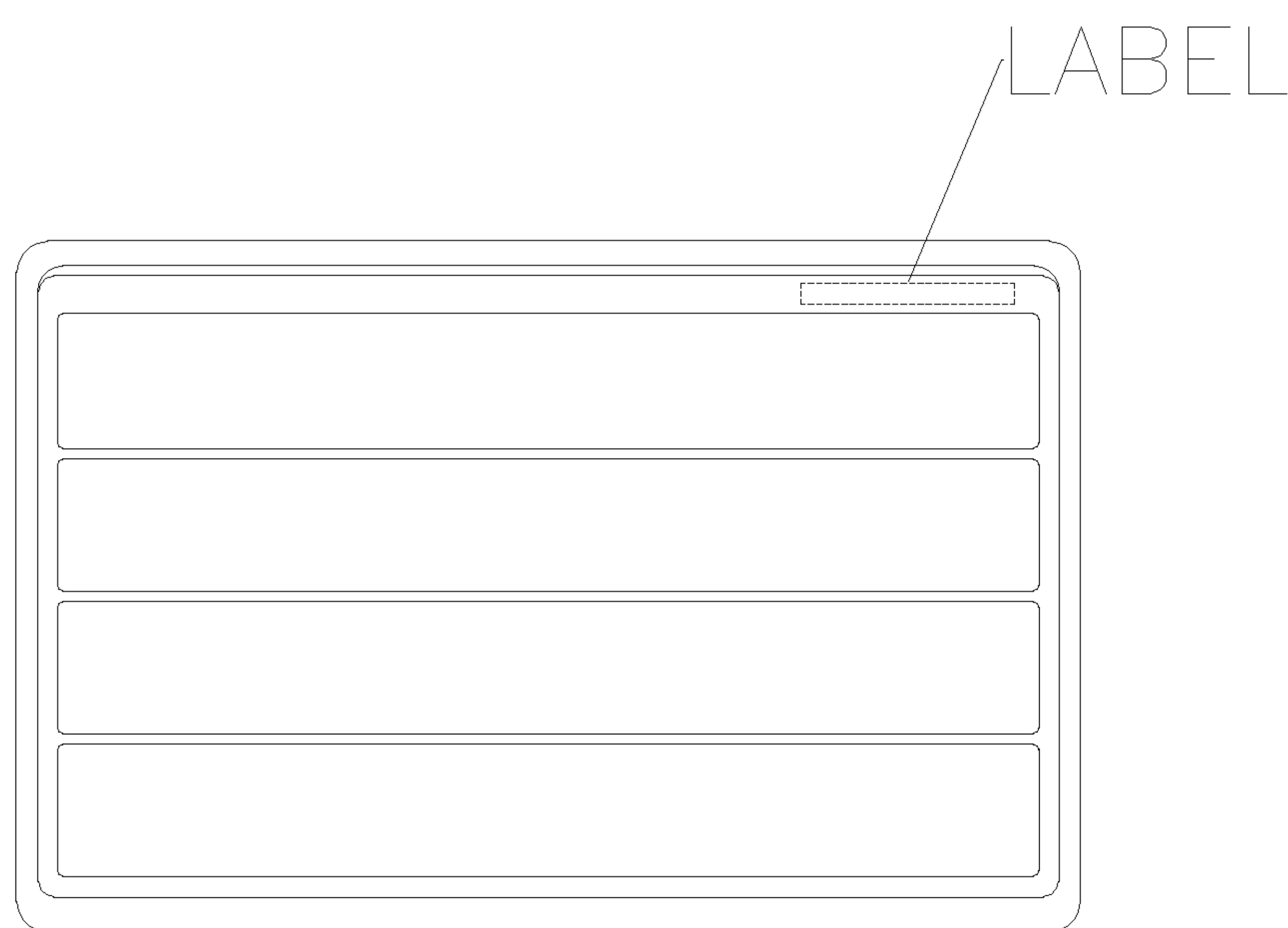
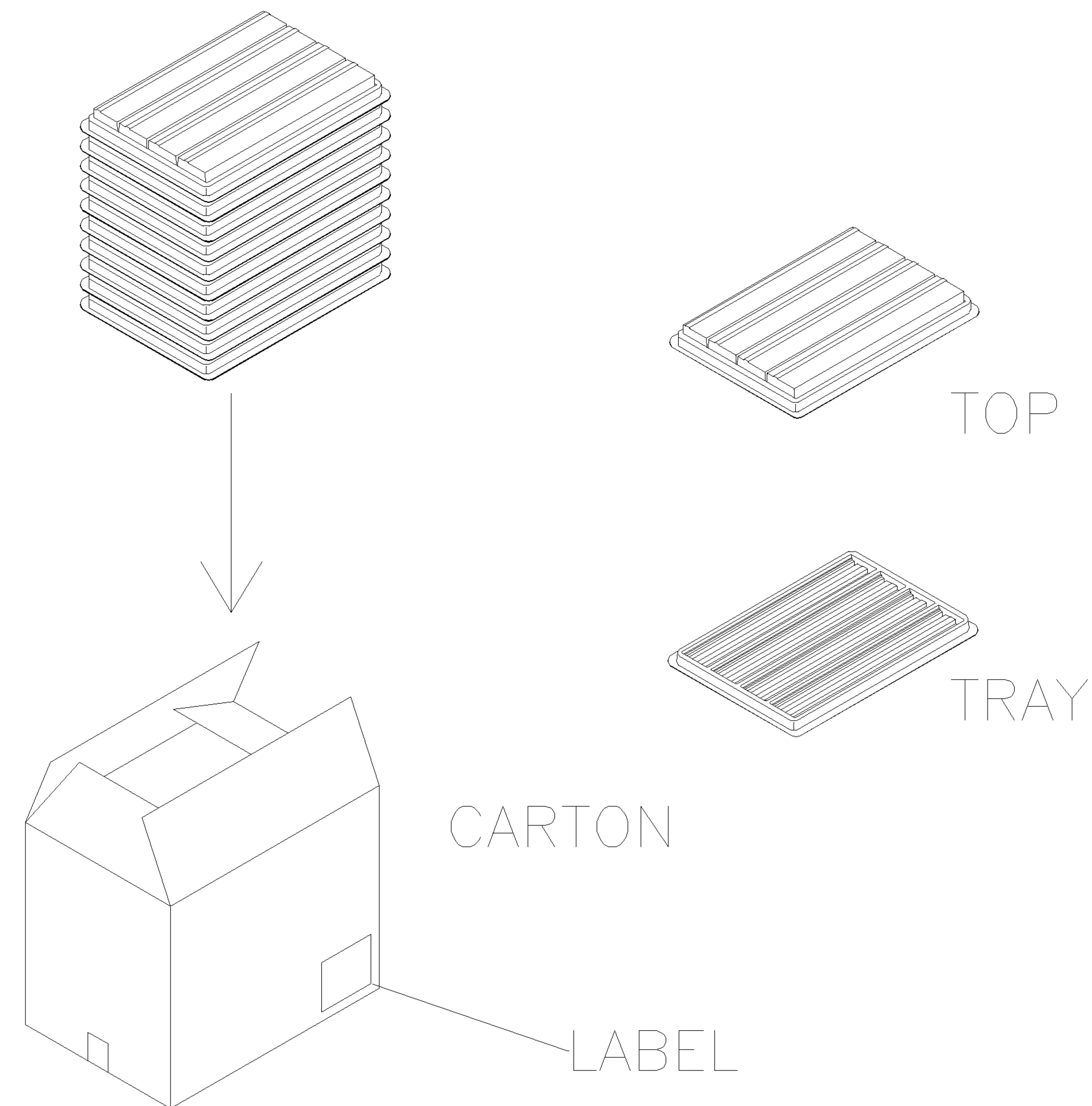
THIS INFORMATION IS CONFIDENTIAL AND IS DISCLOSED TO YOU ON CONDITION THAT NO FURTHER DISCLOSURE IS MADE BY YOU TO OTHER THAN AMP PERSONNEL WITHOUT WRITTEN AUTHORIZATION FROM AMP (TAIWAN) LTD. DIMENSIONS IN MILLIMETERS. DO NOT SCALE PRINT.

PRINT  
DW

NOTE :

- DIMENSION :  
TRAY : L=310, W=215, H=30  
CARTON : L=335, W=230, H=280
- TRAY : PS or PET
- QUANTITY:

PIN NO.	9-9	15-15	25-25	37-37
PCS/TRAY	36	28	20	16
TRAY/CARTON	10	10	10	10
PCS/CARTON	360	280	200	160
NET WT.(KG/CARTON)	9.72	9.62	9.38	10.3
GROSS WT.(KG/CARTON)	11.22	11.05	10.81	11.46



TRAY LAYOUT

TOLERANCES UNLESS OTHERWISE SPECIFIED: 0 PLC ±0.5 1 PLC ±0.3 2 PLC ±0.2 3 PLC ± ANGLES ±3°		DWN J. LEE 30-JUN-2005	<b>tyco</b> TYCO HOLDINGS (BERMUDA) <b>Electronics</b> VII LTD. TAIWAN BRANCH	
MATERIAL SEE NOTE		CHK S. HOU 30-JUN-2005	NAME D-SUB STACKED PLUG OVER RCPT, R/A TYPE, THREAD INSERTS	
FINISH SEE NOTE		APVD W.J. KE 30-JUN-2005	LOC DW	SIZE A <sub>3</sub>
LTR		REVISION RECORD	ECN	DWN CHK
DATE		QUALIFICATION TEST REPORT -		DRAWING NO C-1734282
DATE		WEIGHT		REV 0
DATE		SCALE --		SHEET 2 OF 2