

Quick install guide

X10 DC

10-60v DC / 10-30v AC



LOCATION



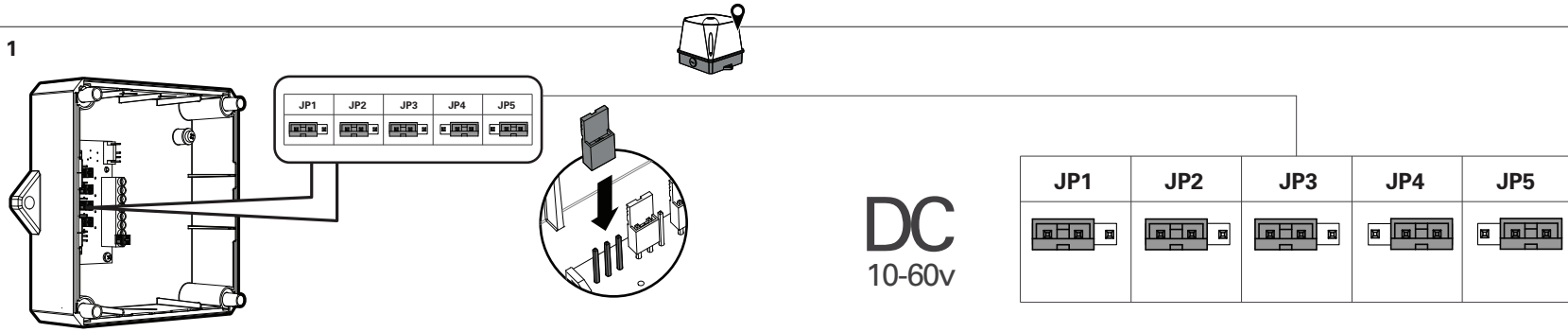
SETTINGS TABLE



CAUTION!
ISOLATE POWER

Only qualified personnel may install, configure or repair this product.

Figure 1



IMPORTANT MAKE SURE JUMPERS ARE CONFIGURED AS ABOVE

Figure 2

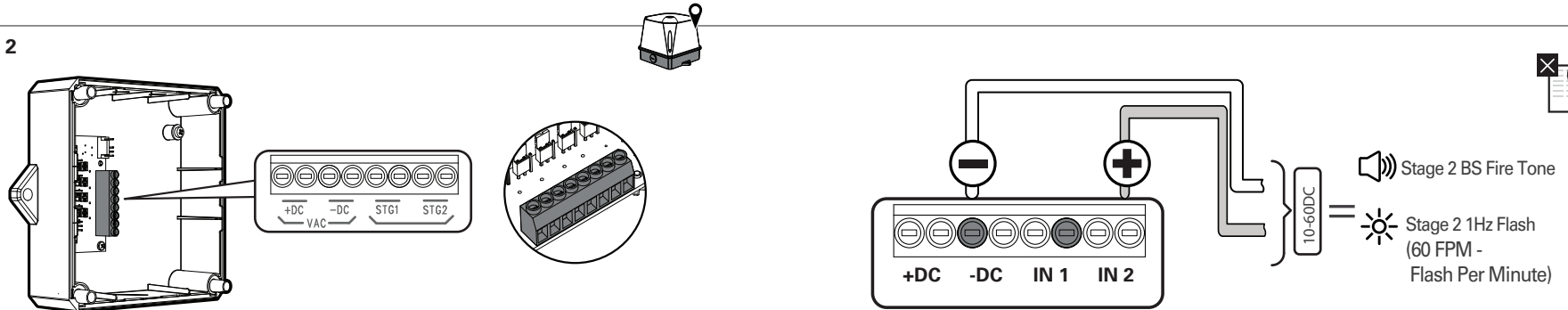
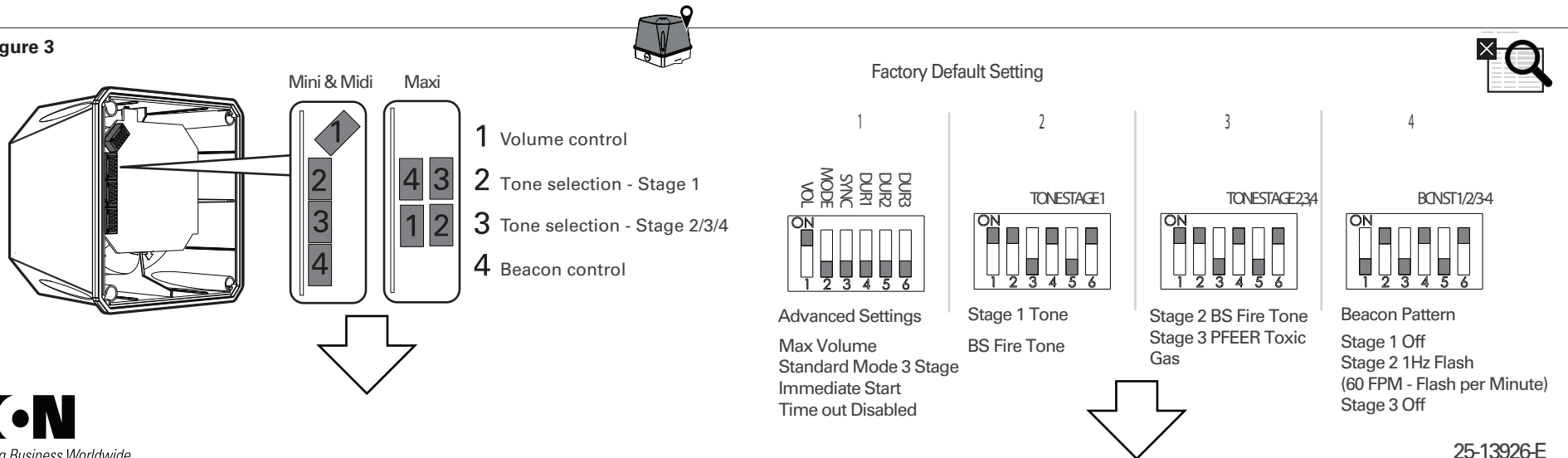


Figure 3



Quick install guide
X10 DC
10-60v DC / 10-30v AC



LOCATION



SETTINGS TABLE



CAUTION!
ISOLATE POWER

Only qualified personnel may install, configure or repair this product.

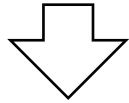


Figure 4

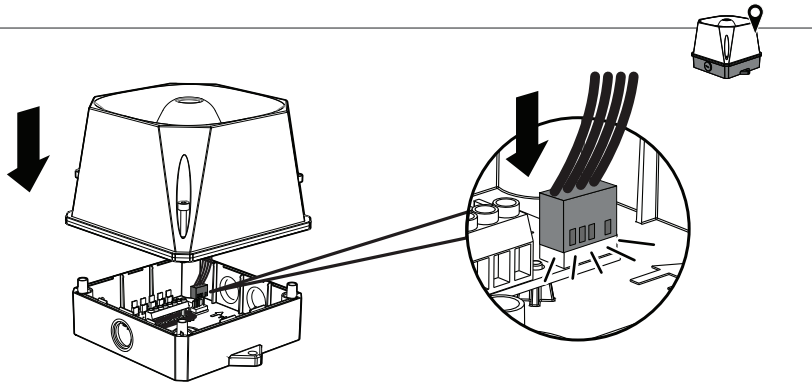
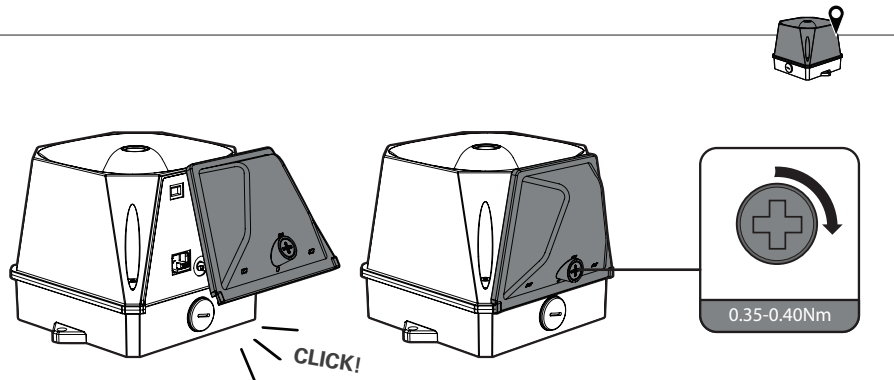
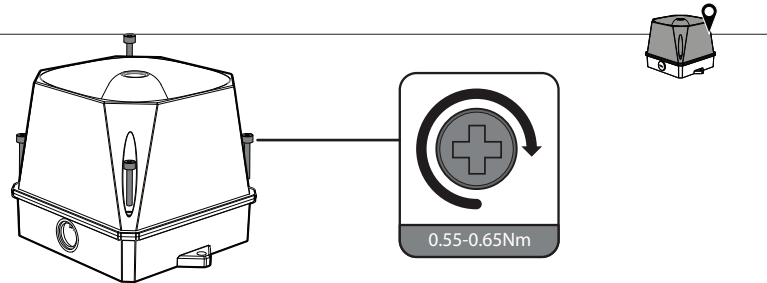


Figure 5



Default settings

SDR TONE	Stage 1 BS Fire Tone Stage 2 BS Fire Tone Stage 3 PFEER Toxic Gas
BEACON	Stage 1 Off Stage 2 1Hz Flash (60FPM - Flash Per Minute) Stage 3 Off
SPL	Max
Stage Polarity	+ Supply

Manual:

For more information on how to further adjust and setup the Eaton X10 please refer to the manual:

www.eaton.com/manuals/x10

Contact:

Technical support

Tel: +44 (0) 1633 628500

Email: FireCustomerService@eaton.com

Eaton Electrical Products

Llantarnam Park,
 Cwmbran
 NP44 3AW,
 United Kingdom

© 2017 Eaton
 All Rights Reserved
 Printed in XXX
 June 2017

Eaton is a registered trademark.

All other trademarks are property of their respective owners.