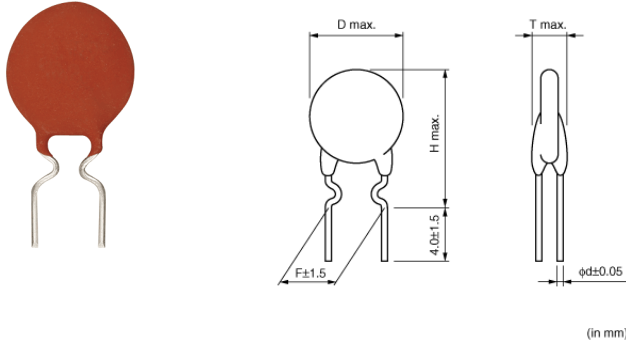


PTGL12AR0R2M1B51B0

In Production Recommended RoHS REACH

Appearance & Shape



Features

1. Best suited to meet the requirements for power supplies and motor protection. Error-free operation is assured by rush current.
 2. Circuit is protected until current is turned off.
 3. Restores the original low resistance value automatically once the overload is removed.
 4. Non-contact design leads to long life and no noise.
- Durable and strong against mechanical vibration and shock because it is a solid element.

Applications

Limited Usage	Consumer Grade
---------------	----------------

Packaging Information

Packaging	Specifications	Minimum Order Quantity
B0	Bulk(Bag)	300

Attention

- 1.This datasheet is downloaded from the website of Murata Manufacturing Co., Ltd. Therefore, it's specifications are subject to change or our products in it may be discontinued without advance notice. Please check with our sales representatives or product engineers before ordering.
- 2.This datasheet has only typical specifications because there is no space for detailed specifications. Therefore, please review our product specifications or consult the approval sheet for product specifications before ordering.

PTGL12AR0R2M1B51B0



Specifications

Max. Voltage	16V	F: Lead Space	5mm
Hold Current	1000mA	d: Lead Diameter	0.6mm
Measure Condition of Hold Current	(at +60°C)	Shape	Lead
Hold Current (2)	1300mA	Mass	0.44g
Measure Condition of Hold Current (2)	(at +25°C)		
Trip Current	2410mA		
Measure Condition of Trip Current	(at +25°C)		
Trip Current(2)	2800mA		
Measure Condition of Trip Current(2)	(at -10°C)		
Max. Current	9A		
Resistance (25°C)	0.2Ω		
Resistance Value Tolerance (at 25°C)	±20%		
Power Consumption(typ)	2W		
Operating Temperature Range	-10°C to 60°C		
D: Outer Dimension	11.3mm		
Thickness	3.5mm		
H: Height	16mm		

Attention

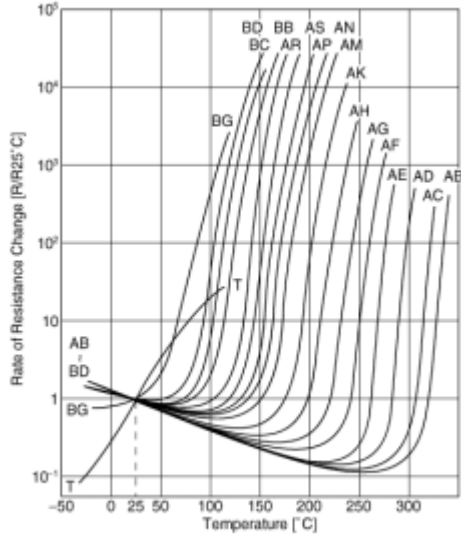
1.This datasheet is downloaded from the website of Murata Manufacturing Co., Ltd. Therefore, it's specifications are subject to change or our products in it may be discontinued without advance notice. Please check with our sales representatives or product engineers before ordering.

2.This datasheet has only typical specifications because there is no space for detailed specifications.

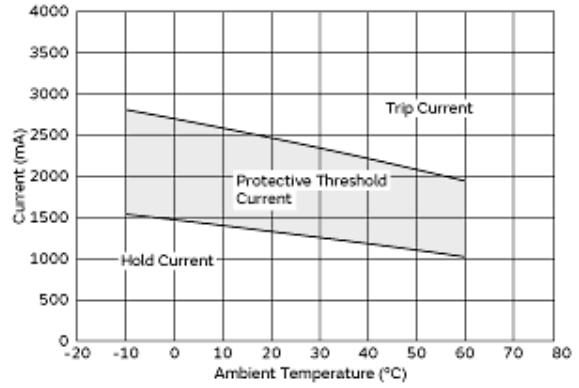
Therefore, please review our product specifications or consult the approval sheet for product specifications before ordering.

PTGL12AR0R2M1B51B0

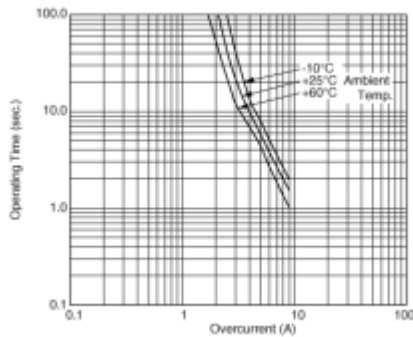
Product Data



Resistance-Temperature Charac.



Protective Threshold Current Range



Operating Time (Typical Curve)

Attention

- 1.This datasheet is downloaded from the website of Murata Manufacturing Co., Ltd. Therefore, it's specifications are subject to change or our products in it may be discontinued without advance notice. Please check with our sales representatives or product engineers before ordering.
 - 2.This datasheet has only typical specifications because there is no space for detailed specifications.
- Therefore, please review our product specifications or consult the approval sheet for product specifications before ordering.