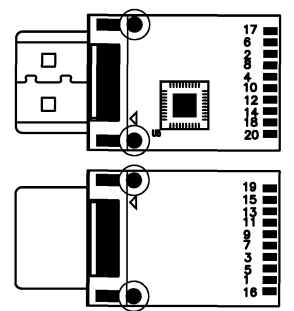
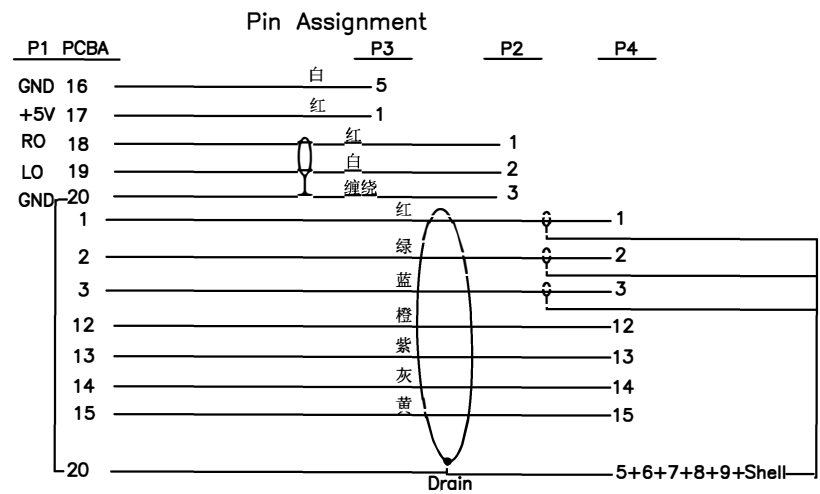
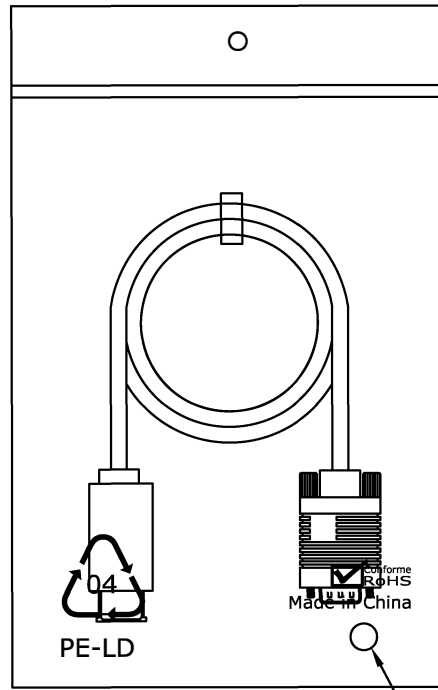
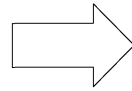
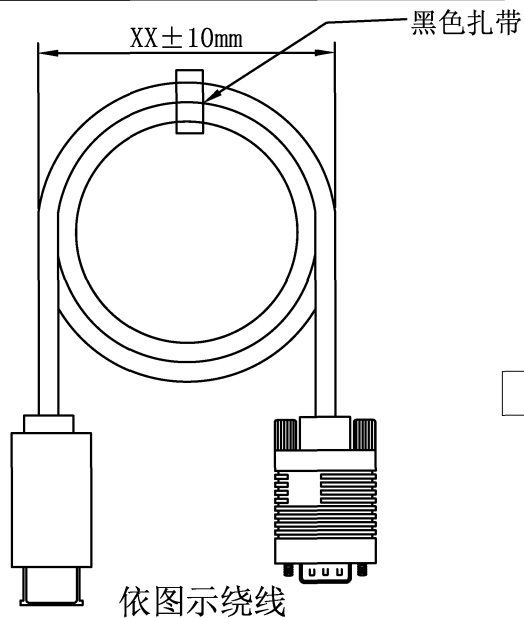


L ± Tmm	DRAWING NO.
1000 ± 20mm	D06026-00237
2000 ± 30mm	D06026-00238
3000 ± 40mm	D06026-00239
5000 ± 60mm	D06026-00241

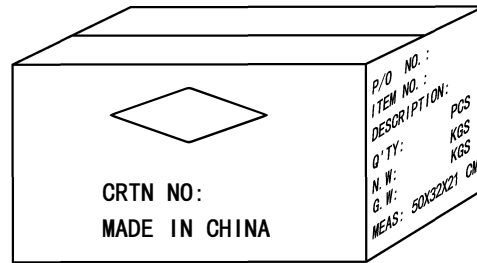


13	A0040411-00002	低压内模料, 透明色, 硬度:40~48D, 聚酰胺树脂, UL94V-0, 德邦: HM101CL	2	g
12	A7-R040002	#4-40UNC 4*47MM 镀镍螺丝(指定致和)	2	pcs
11	A6-0000015	HDMI M 透明PVC防尘盖	1	pcs
10	A5-R047011	透明 PE料 环保 低密度(中石化 LDPE 868)	10	g
9	A5-R047001	45P 黑色PVC料 环保	40	g
8	A2-R029164	HDB15M 焊线式 蓝胶芯 壳前金后锡 满Pin镀金1U	1	pcs
7	A6-R105081	Micro USB B TYPE 5PIN F 黑色 护套	1	pcs
6	A2-R028553	Micro USB B TYPE 5PIN F 焊线式 铜壳镀镍 端子G/F	1	pcs
5	A2-R023245	DC3.5 F~三节式~OD:8.0MM~铁壳镀镍	1	pcs
4	A4-R004644	NO~UL~28AWG(10/0.10BC)*2C+S(15±3)/0.10CCS~OD:2.8MM~黑色~无印字	0.5	m
3	A4-R003953	NO~UL~28AWG*2C+过粉~OD:3.0MM~黑色~无印字	0.5	m
2	B01000000040	HA-V-5M~不带KEY~空PCB板+贴片+焊后(插头镀金)	1	pcs
1	A0010305-00117	UL20276~[28AWG(7/0.127TC)+EAM]*3COX+28AWG(7/0.127TC)*4C+AEB(16/9/0.12AL 85%铅编)~OD:8.0MM~黑色半穿面~印: E342987 见 AWM STYLE 20276 80°C 30V VW-1	5	m
NC		DESCRIPTION	Q'TY	UNIT

REV.	ECN NO.	DESCRIPTION	DATE	NAME
		PRO-SIGNAL		
		CUSTOMER :	CPC	
		CUSTOMER P/N :		
DRAWN BY		王志斌	SCALE	NONE
CHECK BY			UNIT	MM
APPD BY			DATE	2019.06.24
			DRAWING NO.:	REV. A1
				1/1



P/O NO. :
 ITEM NO. :
 DESCRIPTION:
 Q' TY: PCS
 N. W: KGS
 G. W: KGS
 MEAS: 50 X 32 X 21 CM



REV.	ECN NO.	DESCRIPTION	DATE	NAME	
		TOLERANCE		PRO-SIGNAL	
		INCHES	M/M		
		.X	.015 .30		
		.XX	.010 .10		
		.XXX	.005 .05		
DRAWN BY		王志斌		CUSTOMER : CPC	
CHECK BY		SCALE	NONE	DRAWING NO. :	REV. A1
APPD BY		UNIT	MM		2/2
		DATE	2019.06.24		

NO	CELINK P/N	DESCRIPTION	Q' TY	UNIT
4	A8-R053010	防水袋 970*870*0.06MM 不印字	1/200	PCS
3	A9-H005006	纸板 B3C 480X300MM	2/200	PCS
2	A9-H005003	中性单色外箱~500*320*210MM~K=K~标准印字 按原档1: 1印刷	1/200	PCS
1		夹链袋 XXX*XXX 印带环保标志和RoHS... (打透气孔和挂孔)	1	PCS