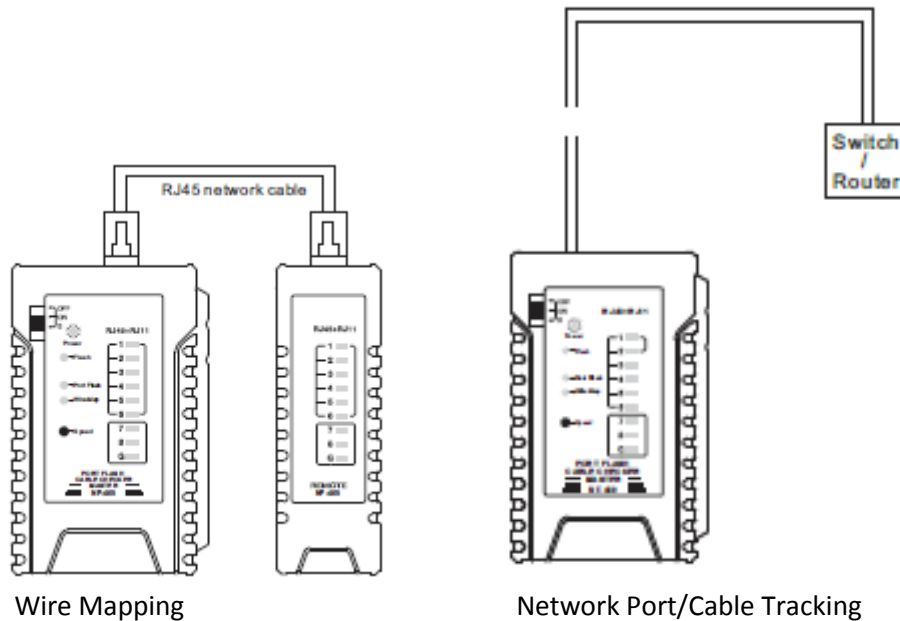


KAUDEN™

Item Code – KA228

KAUDEN™ RJ45 Cable Tester with Network Switch Port/Cable Tracking



- Will locate short circuit, open circuit and wrong connections using the supplied remote
- Overvoltage protection to save burning the device out when use for above function
- Track cables and ports on a live Network Switch using Hub Blink technology
- Emits a signal into a RJ45 socket or port causing the LED indicators on a live Switch port to blink so detecting any such device and tracing the target cable or port.
- Includes carry case, main unit, remote and short test cable (9V MN1604 battery not included)

Wire Mapping Function

Will locate short circuit, open circuit and wrong connections using the attached remote, incorporating normal, fast or manual test light scrolling. **Overvoltage Protection prevents Tester damage in wire mapping mode (< 60V DC or 40V AC)**

Cable/Port Tracking

Emits a signal into a RJ45 socket or port causing the LED indicators on a live Switch port to blink so tracing the target cables. Works on standard and shielded cabling and is ideal where noise, interference and shielding can be a problem for analogue and even digital tone tracers on live networks. Target LED Blinks at different frequency to other LED(s) on the Switch making it easier to track.

Uses 9 volt PP3 Battery is not included. We advise alkaline MN1604 type

Barcode	5028088002643	
Commodity Code	903180800	
Dimension Packed	184x110x34 mm	Height Width Depth
Dimension loose	103x96x28 mm	Height Width Depth
Weight Packed	0.177 Kg	
Weight Loose	0.171 kg	
RoHS3 Compliant	Yes	
REACH Clean Cert	Yes	
EMC Cert	Yes	