


# Product Change Notice

Date:	September 17, 2019
Overview:	A change has been made to the terminal box for 94 frame AC motors
Reason for Change:	Improved design due to updated tooling
Affected Part No(s):	Ø400 mm radial fans and Ø400 to Ø500 mm axial fans using an AC motor (1-phase / 3-phase) in size 94 (exact PNs listed on last page of this notice)
Design Change Detail:	The new terminal boxes are more robust and have an improved sealing system - the bottom part of the terminal box now has integrated sealing which eliminates the need for an O-ring. The overall height of the terminal box remains the same.
Effective Date:	Running change, effective immediately
Last Time Buy Deadline:	N/A
Pricing:	No change
ebm-papst employee:	Jeannine Zenobi
Attachments:	<ul style="list-style-type: none"> <li>Detailed comparisons, original vs new design</li> <li>List of specific PNs affected by this change</li> </ul> 
Comments:	110 and 138 frame motors are also impacted (please see separate PCNs)

Form No: 1274	Quality Record - No	Page 1 of 1
Rev. – Orig, Released 08/28/14	Retention Period – 1 year	Dept. Owner – Sales/Marketing

# Terminal Box Comparisons

## AC Motor Size 94

**ebmpapst**

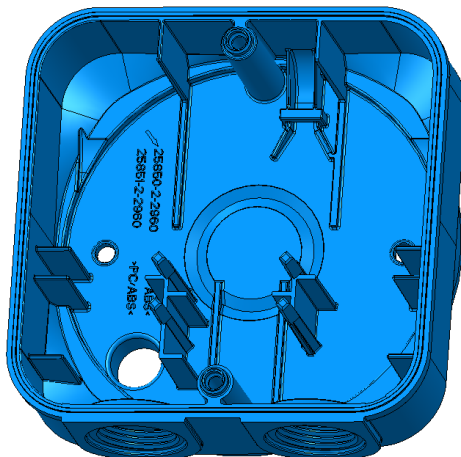
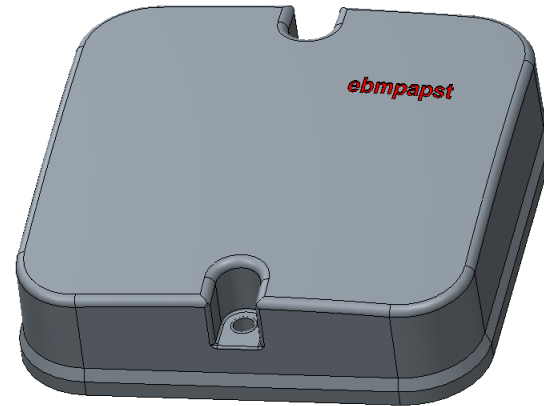
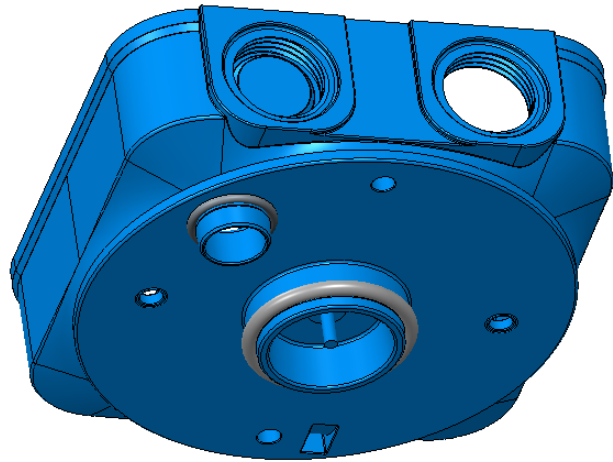
the engineer's choice



# Original Terminal Box

**ebmpapst**

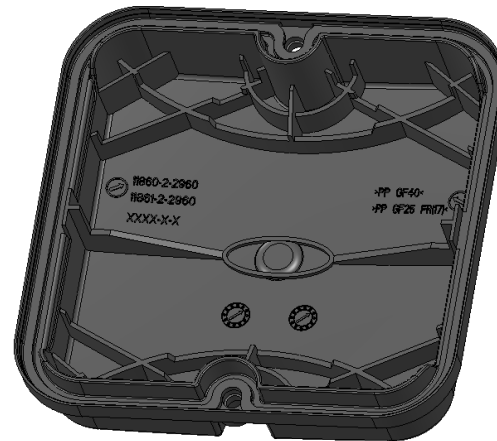
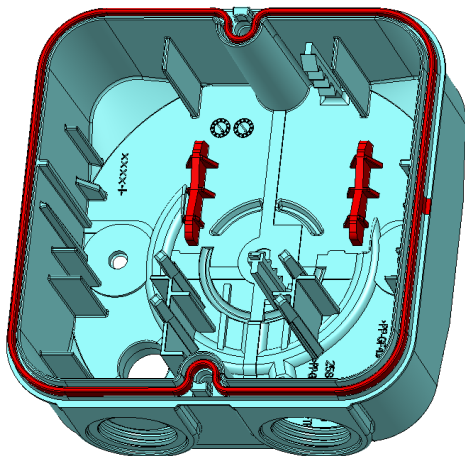
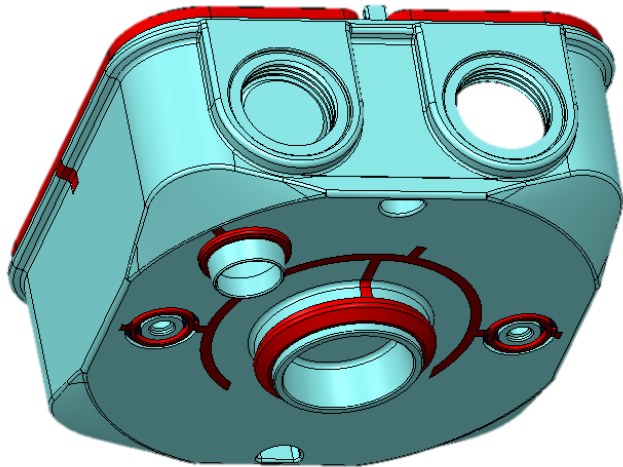
the engineer's choice



# New Terminal Box

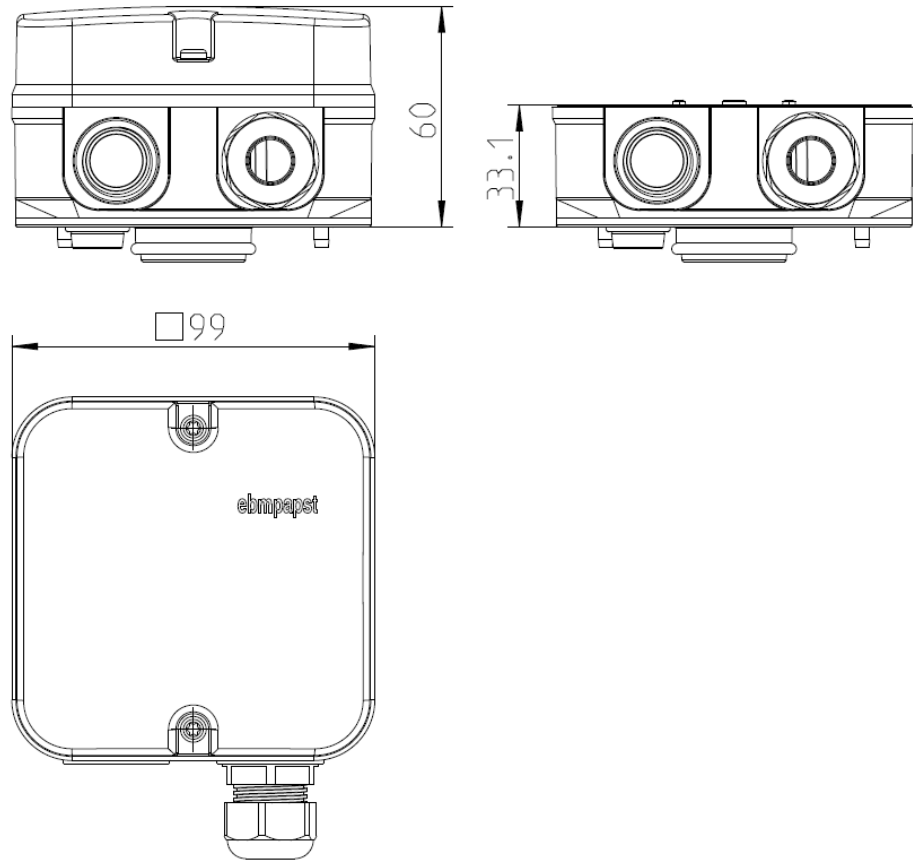
**ebmpapst**

the engineer's choice

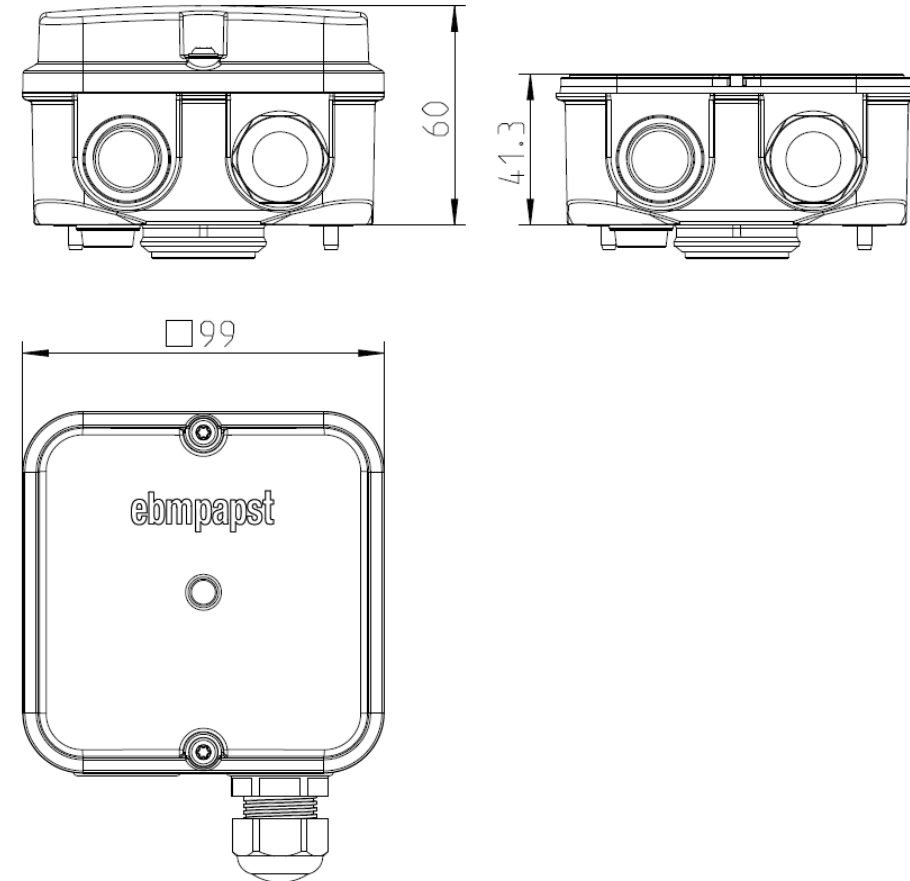


# Comparison of Terminal Boxes

## Measurements



Original Terminal Box



New Terminal Box

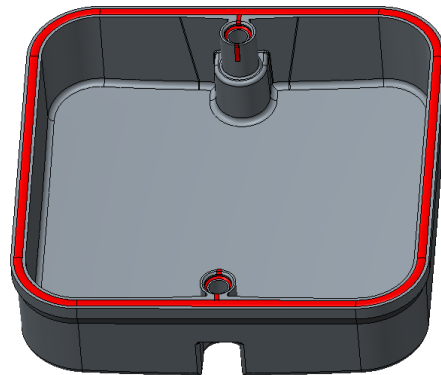
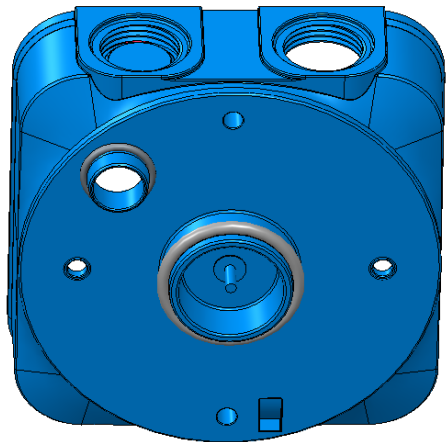
# Comparison of Terminal Boxes

Improved sealing system

the engineer's choice

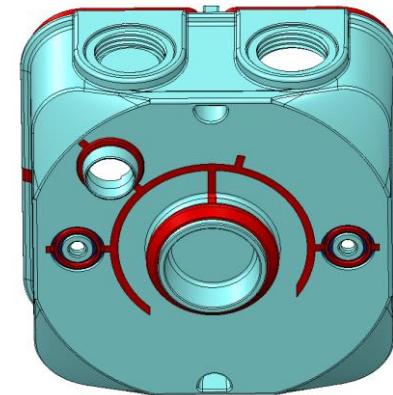
Original

New

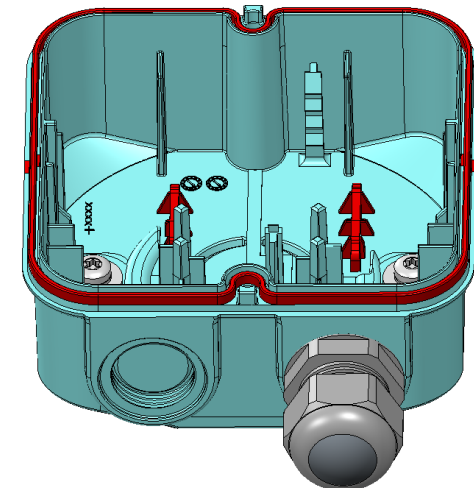


O-rings

Sealing in terminal box  
(cover)



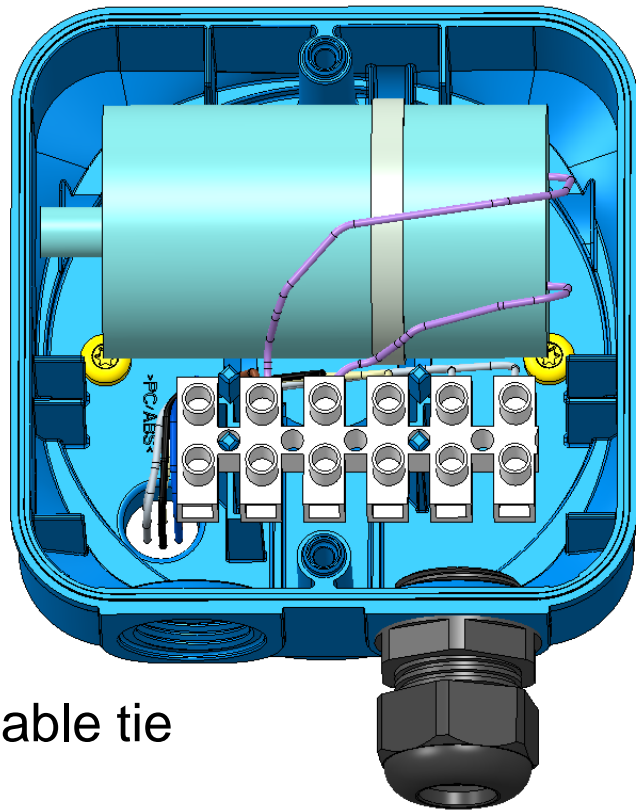
2K-sealing  
(similar to sizes 110 and 138)



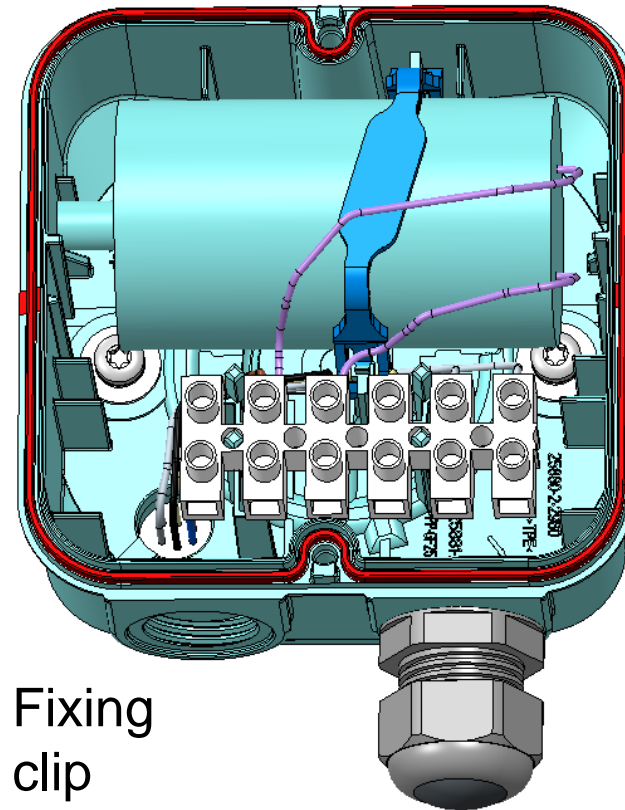
Improved sealing  
(bottom)

# Comparison of Terminal Boxes

Capacitor fixation inside bottom of terminal box (1~ fans)



Cable tie



Fixing clip



Thank you.

**ebmpapst**

the engineer's choice





## 94 Frame AC Motor Terminal Box Change - Affected PNs

A4D420-AU02-01	S4D420-AU02-03	S4E420-AU03-20	W4D450-CO14-01
A4D420-AU02-02	S4D420-AU02-04	S4E420-BU01-05	W4D450-CO14-02
A4D450-AN14-01	S4D420-AU02-44	S4E420-BU03-30	W4D450-CO14-12
A4D450-AN14-02	S4D420-AU06-43	S4E420-BU03-31	W4D450-CO14-70
A4D450-AN14-06	S4D420-BU02-30	S4E420-BU03-36	W4D450-CU01-01
A4D450-AO10-03	S4D420-BU02-31	S4E450-AN05-01	W4D450-CU01-02
A4D450-AO14-01	S4D450-AL10-92	S4E450-AN05-02	W4D450-DN14-02
A4D450-AO14-02	S4D450-AN12-76	S4E450-AO09-01	W4D450-DO10-11
A4D450-AO14-10	S4D450-AN14-01	S4E450-AO09-02	W4D450-DO10-14
A4D450-AO14-12	S4D450-AN14-02	S4E450-AO09-72	W4D450-DO14-01
A4D450-AO14-43	S4D450-AN14-72	S4E450-AO09-75	W4D450-DO14-02
A4D450-AU01-01	S4D450-AN14-73	S4E450-AO09-76	W4D450-DU01-06
A4D450-AU01-02	S4D450-AO14-01	S4E450-AO09-77	W4D450-DU05-07
A4D450-AU01-06	S4D450-AO14-02	S4E450-AU03-01	W4D450-GO10-13
A4D450-BA14-01	S4D450-AO14-78	S4E450-AU03-02	W4D450-GO10-14
A4D450-BA14-02	S4D450-AO14-79	S4E450-AU03-37	W4D450-GO14-12
A4D450-BA18-42	S4D450-AO14-90	S4E450-AU03-38	W4D450-GO14-15
A4D450-BB12-33	S4D450-AO18-74	S4E450-BN05-01	W4D450-HA14-10
A4D450-BB14-34	S4D450-AU01-01	S4E450-BO09-01	W4D450-JA18-42
A4D450-BG14-51	S4D450-AU01-02	S4E450-BO09-02	W4D450-JB12-33
A4D450-BG14-53	S4D450-AU07-37	S4E450-BU03-01	W4D450-JB14-34
A4E420-AU03-01	S4D450-BO10-73	S4E450-BU03-02	W4D450-JO14-43
A4E420-AU03-02	S4D450-BO14-01	S4E450-CO09-09	W4D450-KA10-08
A4E450-AN05-01	S4D450-BO14-02	S4E450-GA09-01	W4D500-DY14-02
A4E450-AO09-01	S4D450-BO14-74	S4E450-GA09-10	W4E400-GU09-05
A4E450-AO09-02	S4D450-BU01-01	S4E450-GA09-20	W4E420-CU03-30
A4E450-AU03-01	S4D450-BU01-02	S4E450-GA11-23	W4E420-CU03-31
A4E450-AU03-02	S4D450-GA14-01	S4E500-AY09-01	W4E450-CN05-01
A4E450-BA09-01	S4D450-GA14-02	S4E500-AZ02-20	W4E450-CO09-01
A4E450-BA09-42	S4D450-GA14-20	S4E500-AZ09-02	W4E450-CO09-02
A4E500-AY09-05	S4D450-GA14-22	S6E450-AC28-84	W4E450-CO09-65
A6E450-AN06-20	S4D450-GA18-17	S6E450-AU04-01	W4E450-CO15-64
A6E450-AN06-21	S4D450-GA20-13	S6E450-AU04-02	W4E450-CO15-66
A6E450-AU04-01	S4D450-GA20-18	S6E450-BU04-01	W4E450-CU03-01
A6E450-AU04-02	S4D450-GB12-09	S6E450-BU04-02	W4E450-CU03-02
A6E450-AU04-07	S4D500-AY14-01	S6E500-GB05-06	W4E450-DN05-22
M4E094-FA05-11	S4E400-AM03-80	S6E500-GB05-09	W4E450-DO09-13
R4D400-AD22-09	S4E400-AM03-84	S6E500-HB05-05	W4E450-DO09-21
R4D400-RO22-06	S4E400-AM03-89	W4D400-DN14-05	W4E450-DU03-06
R4E400-RO09-06	S4E420-AU01-13	W4D400-GN14-10	W4E450-JA09-42
S4D400-AM02-20	S4E420-AU01-14	W4D420-CU02-29	W4E500-DY09-02
S4D400-AN12-17	S4E420-AU03-03	W4D420-CU02-30	W6E450-CU04-01
S4D400-AN14-16	S4E420-AU03-04	W4D420-CU02-31	W6E450-CU04-02