

RoHS
Compliant



Specifications:

Inductance	: 670nH
Inductance Tolerance	: ± 20%
DC Resistance Max	: 1,345μΩ
DC Current Rating	: 25A
Inductor Case Style	: SMD
No. of Pins	: 2
Lead Spacing	: 3mm
External Depth	: 12.6mm
External Length / Height	: 4.2mm
External Width	: 12.6mm
Resonant Frequency	: 300kHz
Series	: SC

Electrical Characteristics

300kHz 0.25V	L	0.67μH ±20%
Ta 25°C	DCR	133mΩ ±7%
300kHz 0.25V I _{rate} = 25A (Max.)	L at I _{rate}	0.577μH (Reference)
300kHz 0.25V I _{max} = 35A (Maximum)	L at I _{max}	0.554μH (Reference)

Operating temperature: -40°C to +150°C

Note:

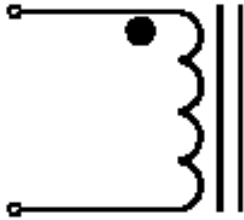
I_{rms} : DC current rating at 50°C surface temperature raise (typical)

I_{max} : DC current rating at 100°C surface temperature raise (typical)

Material List

No.	Item	Material Description
1	Core	SMF380/105-SF56Q-GT SPF120-SF56Q-GT
2	Wire	FW045230054502T5-A28
3	Winding	2.5TS
4	Solder	SC5015 800Pieces/Reel
5	Gule	R67 YYWW

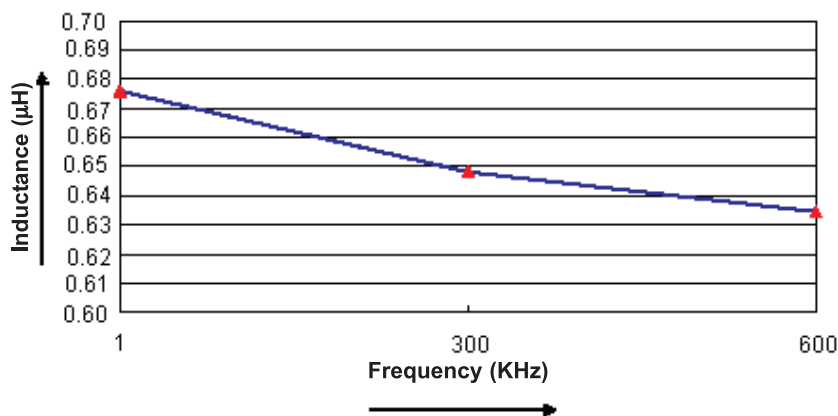
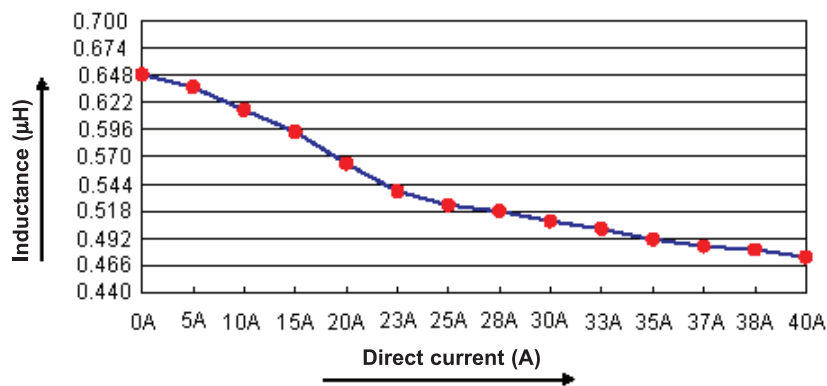
Schematic Diagram



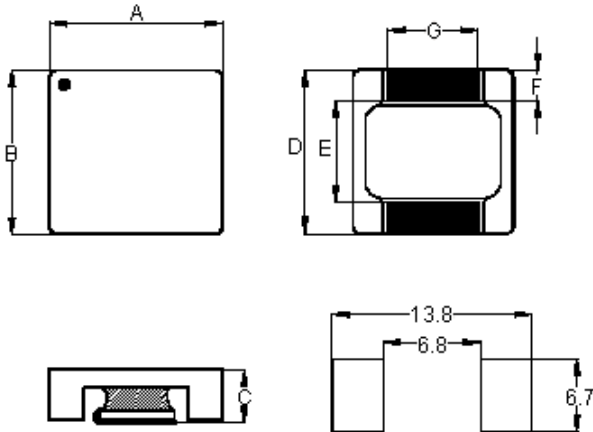
Note:

1. Wire FW045230054502T5-A28
2. 2.5TS

Electric Characteristics



Configurations and Dimensions



A	12.6 ±0.4mm	-
B	12.6 ±0.4mm	-
C	4.2 ±0.4mm	-
D	12.7 ±0.4mm	-
E	7.6 ±0.4mm	-
F	2.4mm	Reference
G	5 ±0.4mm	-

1. The long pin is the beginning of winding. YYWW

Dimensions : Millimetres

Part Number Table

Description	Part Number
Inductor, 0.67μH, 20%, 25A	MCSC5015-R67MU

Important Notice : This data sheet and its contents (the "Information") belong to the members of the AVNET group of companies (the "Group") or are licensed to it. No licence is granted for the use of it other than for information purposes in connection with the products to which it relates. No licence of any intellectual property rights is granted. The Information is subject to change without notice and replaces all data sheets previously supplied. The Information supplied is believed to be accurate but the Group assumes no responsibility for its accuracy or completeness, any error in or omission from it or for any use made of it. Users of this data sheet should check for themselves the Information and the suitability of the products for their purpose and not make any assumptions based on information included or omitted. Liability for loss or damage resulting from any reliance on the Information or use of it (including liability resulting from negligence or where the Group was aware of the possibility of such loss or damage arising) is excluded. This will not operate to limit or restrict the Group's liability for death or personal injury resulting from its negligence. Multicomp Pro is the registered trademark of Premier Farnell Limited 2019.