

**PLEASE CHECK WWW.MOLEX.COM FOR LATEST PART INFORMATION**

**Part Number:** [1731120932](#)  
**Status:** **Active**  
**Overview:** [FCT D-Sub Connectors](#)  
**Description:** FCT Coaxial Contact, Female, Straight, Solder Cup, 75 Ohms, 0.20µm Gold Plating, Short Version, for RG-179BU or RG-187AU Cable

**Documents:**

[RoHS Certificate of Compliance \(PDF\)](#)

**General**

Product Family	D-Sub Products
Series	<a href="#">173112</a>
Brochure Order No	987651-9941
Contact Type	Coaxial
Exclude SD Check	Yes
Overview	<a href="#">FCT D-Sub Connectors</a>
Product Category	Contacts
Product Name	FCT Products
Type	Mixed Layout
UPC	191128908436
Wire/Cable Type	RG-179BU, RG-187AU

**Physical**

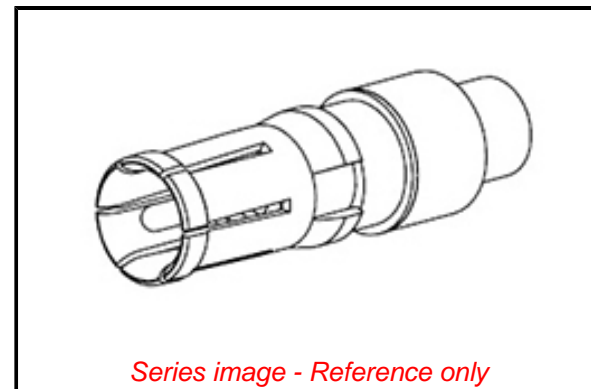
Durability (mating cycles max)	200
Gender	Female
Material - Contact	Copper Alloy
Net Weight	1.100/g
Orientation	Straight
Packaging Type	Bag
Plating - Contact	Gold over Nickel
Plating min - Mating	0.200µm
Plating min - Termination	0.200µm
Temperature Range - Operating	-55° to +135°C
Termination Style	Solder Cup

**Electrical**

Current - Maximum per Contact	2.0A
Impedance	75Ω

**Material Info**

Engineering Number	FMX002S101
--------------------	------------



*Series image - Reference only*

**EU ELV**

**Not Relevant**

**EU RoHS**

**Compliant with Exemption 6(c)**

**REACH SVHC**

Not Reviewed

**Halogen-Free**

**Status**

**Not Reviewed**

For more information, please visit [Contact US](#)

China ROHS

50 Image

ELV

Not Relevant

RoHS Phthalates

Not Contained

**Search Parts in this Series**

[173112 Series](#)

**Use With**

FCT Mixed Layout Connectors